



DF250

Hydraulic control monoblock diverter valve

- 6 ways configuration
- Ports with SAE flange connection
- Hydraulic controls
- Galvanized body

This catalogue shows technical specifications and diagrams measured with mineral oil of 46 mm²/s (46 cSt) viscosity at 40°C - (104°F) temperature.

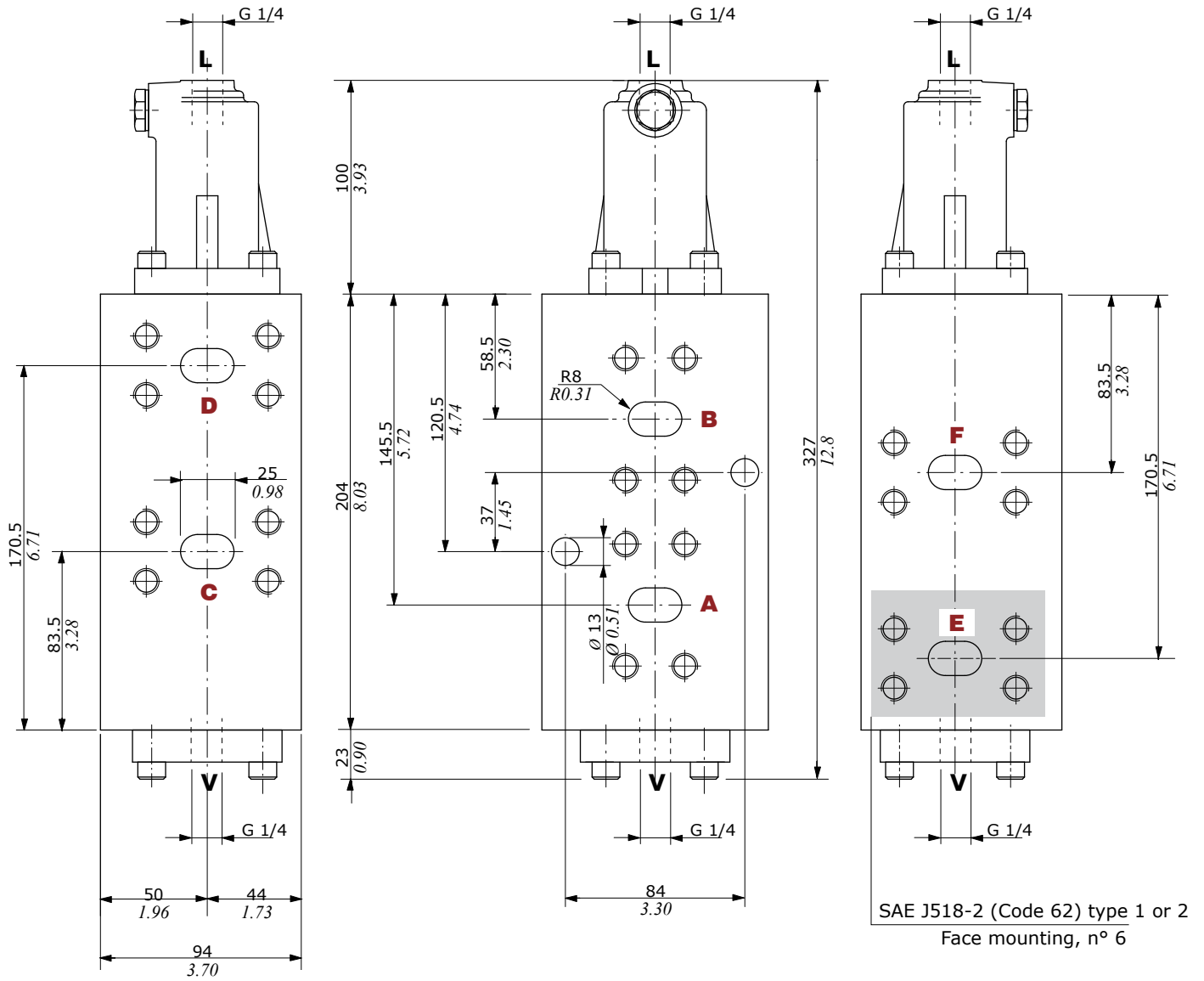
| WORKING CONDITIONS | | |
|--|---|--|
| N. of available ways | | 6 |
| Max. flow rating | | 250 l/min (66 US gpm) |
| Max. pressure | | 350 bar (5100 psi) |
| Internal leakage A(B)⇒T | $\Delta p = 100 \text{ bar (1450 psi)}$ | 8 ÷ 12 cm ³ /min (0.48 ÷ 0.73 in ³ /min) |
| Fluid | | Mineral based oil |
| Fluid temperature | with NBR (BUNA-N) seals | from -20°C to 80°C (from -4°F to 176°F) |
| | with FPM (VITON) seals | from -20°C to 100°C (from -4°F to 212°F) |
| Viscosity | operating range | from 10 to 300 mm ² /s (from 10 to 300 cSt) |
| Max. level of contamination | | 20/18/15 - ISO 4406 - NAS 1638 - class 9 |
| Ambient temperature for working conditions | | from -40°C to 60°C (from -40°F to 140°F) |

NOTE - For different working conditions please contact Sales Dept.

Available threads

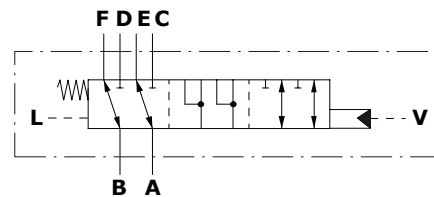
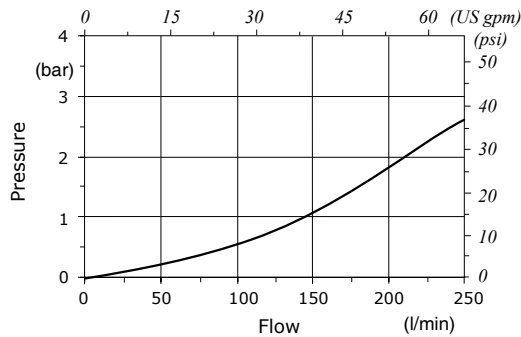
| FLANGE CONNECTION (ASSEMBLING SCREW) | | |
|--------------------------------------|--|-------------------------------|
| Type | ISO6162-2 / SAE J518-2 (Codice 62) Tipo 1 | SAE J518-2 (Codice 62) Tipo 2 |
| DF250 | DN25 (M12) 1" (M12) | 1" (7/16-14 UNC) |

Dimensional data - hydraulic circuit - performance data



Pressure drop versus flow

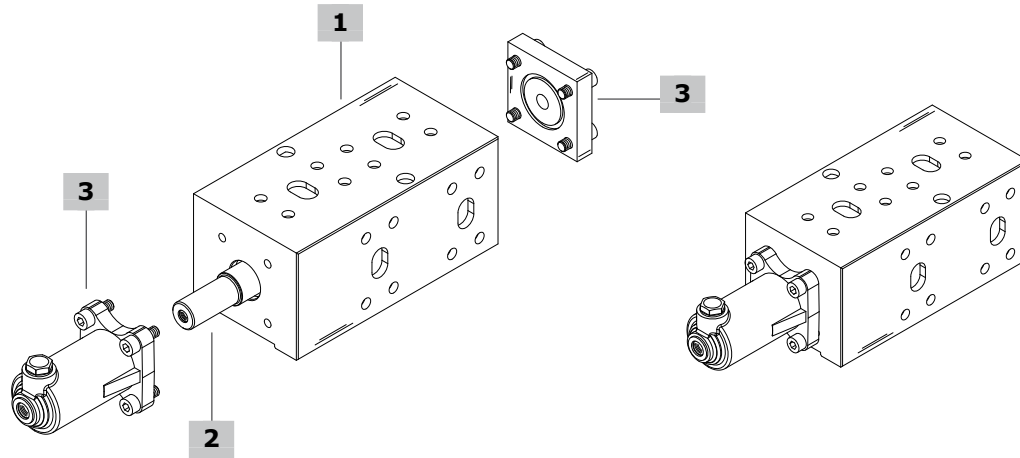
P → A(B)



Part ordering codes

Example:

DF250 / W025A - H005 - DB S35 - (CRZ)
 1 2 3 1 1 Galvanized body



1 Body kit

TYPE: **DF250-DB-S35** CODE: 430035002
 DESCRIPTION: 6 ways body kit, DN25/1", ISO6162-2 / SAE J518-2
 (Code 62) Type 1 flange
 TYPE: **DF250-DB-S36** CODE: 430035003
 DESCRIPTION: 6 ways body kit, DN25/1", SAE J518 (Code 62)
 Type 2 flange

2 Spools pag. 69

| TYPE | CODE | DESCRIPTION |
|--------------|-----------|--|
| W025A | 421235002 | Flow in E and F. C and D closed in pos. 1 Ports connected in transit position |
| W026A | 421235001 | Flow in E and F. C and D closed in pos. 1 Ports closed in transit position |

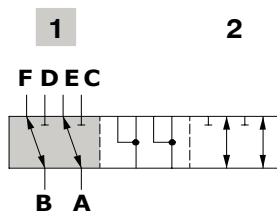
3 Complete controls

| TTYPE | CODE | DESCRIPTION |
|-------------|-----------|--|
| H005 | 320535001 | Hydraulic control, with G1/4 port |
| | 430035001 | Flange kit for hydraulic control, with G1/4 port Pilot pressure: min = 7.8 bar (113 psi) max = 23.4 bar (339 psi) |
| H031 | 320535002 | Hydraulic control, with G1/4 port |
| | 430035001 | Flange kit for hydraulic control, with G1/4 port Pilot pressure: min = 5.8 bar (84 psi) max = 11.4 bar (165 psi) |

Spool circuits

Type W025A

Flow in E and F. C and D closed in pos. 1
Ports connected in transit position

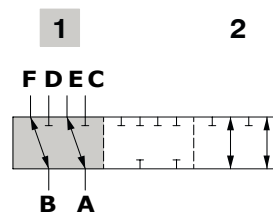


Spool stroke

Position 2: + 10 mm (0.39 in)

Type W026A

Flow in E and F. C and D closed in pos. 1
Ports closed in transit position



Spool stroke

Position 2: + 10 mm (0.39 in)

