



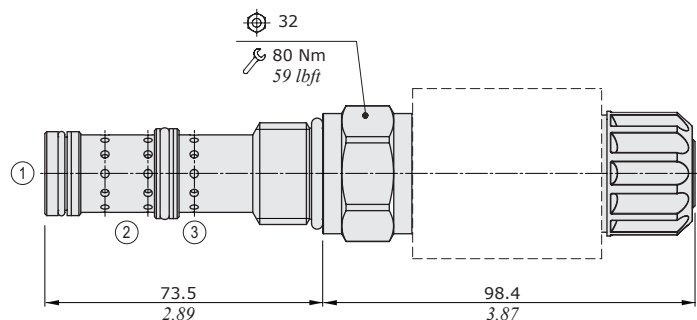
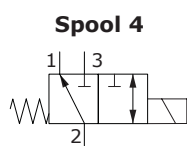
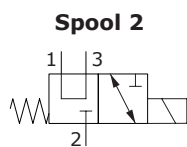
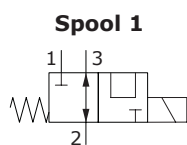
## EJ12A type directional solenoid valve - 3 way / 2 positions

- Direct acting
- Spool type

Technical specifications and diagrams are measured with mineral oil of 46 cSt viscosity at 40°C (104°F) temperature.

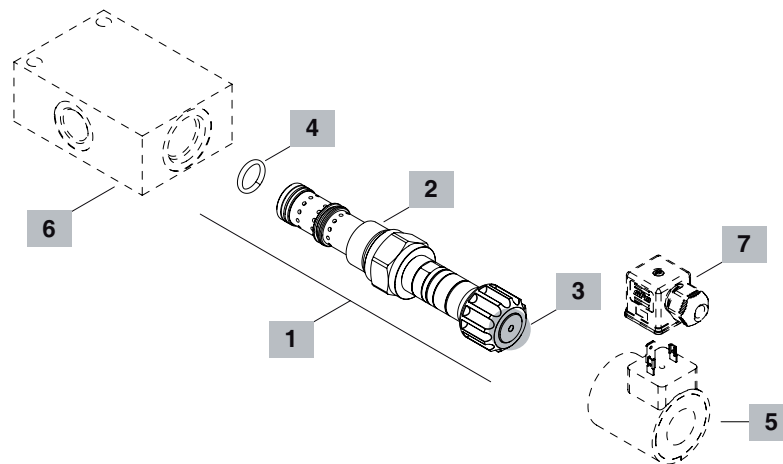
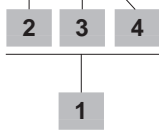
EJ12A		
Nominal flow		40 l/min (10.5 US gpm)
Max. pressure		210 bar (3050 psi)
Oil leakage	at 210 bar (3050 psi)	120 cm <sup>3</sup> /min (7.32 in <sup>3</sup> /min)
Fluid		mineral based oil
Viscosity		10-200 cSt
Max level of contamination		18/16/13 ISO4406
Fluid temperature	with NBR seals with FPM seals	from -20°C (-4°F) to 80°C (176°F) from -20°C (-4°F) to 100°C (212°F)
Environmental temp. for working conditions		from -20°C (-4°F) to 50°C (122°F)
Cavity		SAE 12/3
Coil type*		BIN 22
Nominal voltages		12 VDC - 24 VDC ± 10%
Power rating		32.6 W (12 VDC) - 31 W (24 VDC)
Weight		0.500 kg (1.10 lb)

NOTE - For different conditions, please contact Walvoil Sales Dpt. - \*For coils further features see from page 206.



### Ordering codes and description composition

EJ12A/10 PB



#### 1 Cartridges

TYPE	CODE	DESCRIPTION
<b>SAE cavity 12/3</b>		
<b>EJ12A/10PB</b>	0EJ12002005	Push button emergency, spool 1
<b>EJ12A/20PB</b>	0EJ12002006	Push button emergency, spool 2
<b>EJ12A/40PB</b>	0EJ12002008	Push button emergency, spool 4

#### 2 Spool

TYPE	DESCRIPTION
<b>1</b>	Spool 1
<b>2</b>	Spool 2
<b>4</b>	Spool 4

#### 3 Emergency

TYPE	DESCRIPTION
<b>P</b>	Push button type

#### 4 Seals

TYPE	DESCRIPTION
<b>B</b>	<b>NBR (Buna)</b> o-ring seals, std configuration
<b>V</b>	<b>FPM (Viton)</b> o-ring seals, contact Sales Dept.

#### 5 Coils

TYPE	CODE	DESCRIPTION
<b>BIN22 12VDC</b>	4SL6000128	12VDC-ISO4400 Coil

For complete coils list see from page 206

#### 6 Valve body

TYPE	CODE	DESCRIPTION
<b>SAE 12/3-G 1/2</b>	3CC1230D11	Aluminium body for cavity 12 valve, G1/2 std thread

For steel bodies or different threading see from page 217

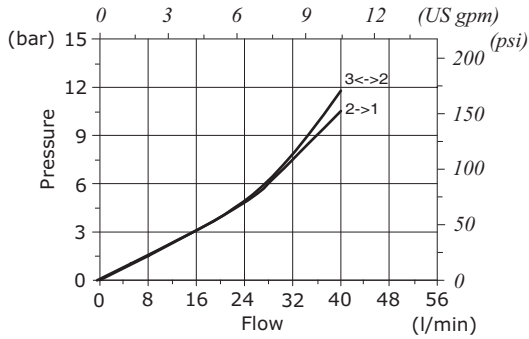
#### 7 Connector

TYPE	CODE	DESCRIPTION
<b>ISO4400</b>	4CN1009995	Connector

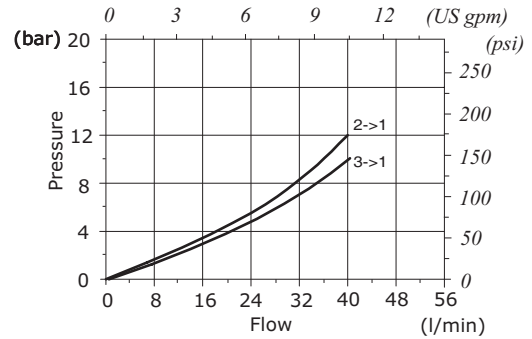
For complete connectors list see from page 206

**Rating diagrams**

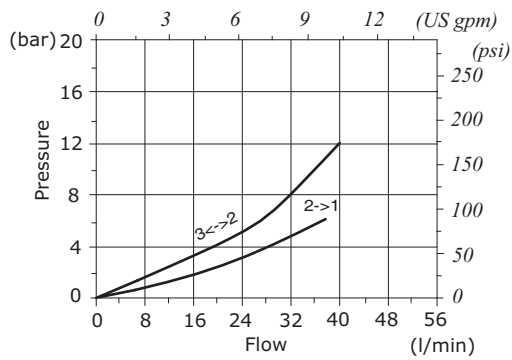
**Pressure drop vs. flow**  
 - Spool 1 -



**Pressure drop vs. flow**  
 - Spool 2 -



**Pressure drop vs. flow**  
 - Spool 4 -



**Performance limit**  
 - Spool 4 -

