



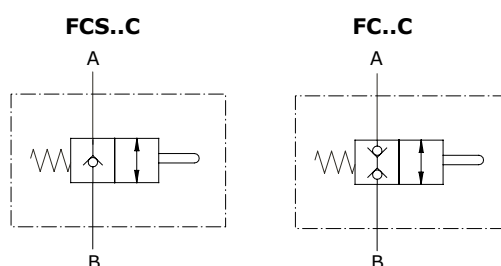
Type FCS..C / FC..C End stroke valves

- Normally closed
- FC..C double lock

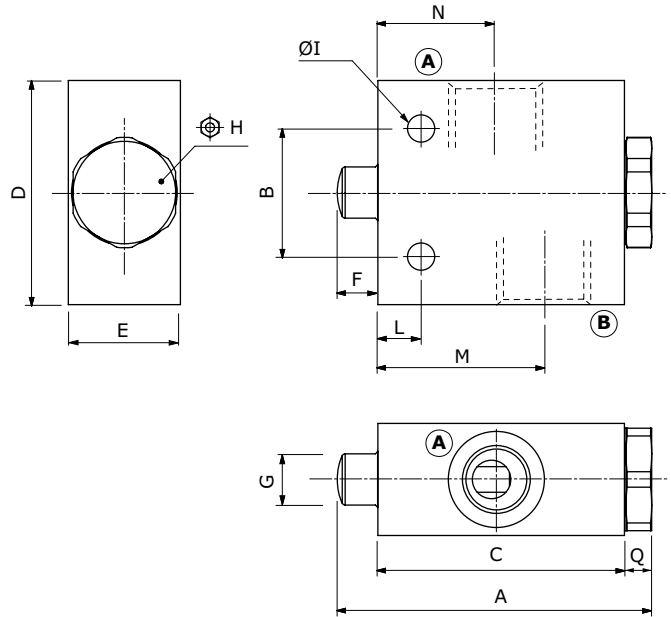
Technical specifications and diagrams are measured with mineral oil of 46 cSt viscosity at 40°C (104°F) temperature.

	FCS02C	FCS03C	FC02C	FC03C
Max. flow	30 l/min (7.9 US gpm)	60 l/min (15.9 US gpm)	30 l/min (7.9 US gpm)	60 l/min (15.9 US gpm)
Max. pressure	300 bar (4350 psi)			
Fluid	mineral based oil			
Max. stroke	10 mm (0.39 in)	12 mm (0.47 in)	10 mm (0.39 in)	12 mm (0.47 in)
Spring force	20 N (4.5 lbf)		80 N (18 lbf)	
Viscosity	from 10 to 200 cSt			
Max. level of contamination	18/16/13 ISO4406			
Fluid temperature	with NBR seals from -20°C (-4°F) to 80°C (176°F)			
Environmental temperature for working conditions	from -40°C (-40°F) to 100°C (212°F)			
Weight	steel 0.79 kg (1.74 lb)	1.28 kg (2.82 lb)	0.79 kg (1.74 lb)	1.30 kg (2.87 lb)

NOTE - For different conditions, please contact Walvoil Sales Dpt.



Dimensions



Valve type	(A) (B)
FCS02C	G3/8
FCS03C	G1/2

Dimensions are in mm-in

Valve type	A	B	C	D	E	F	G	ØH	ØI	L	M	N	Q
FCS02C	83.7 3.30	35 1.38	65 2.56	60 2.36	30 1.18	13.2 0.52	8 0.31	27	8.5 0.33	13.5 0.53	43 1.69	30 1.18	5.5 0.22
FCS03C	98.3 3.87	40 1.57	77 3.03	70 2.76	35 1.38	12.8 0.50	12 0.47	32	10.5 0.41	13.5 0.53	51 2.01	37 1.46	8.5 0.33

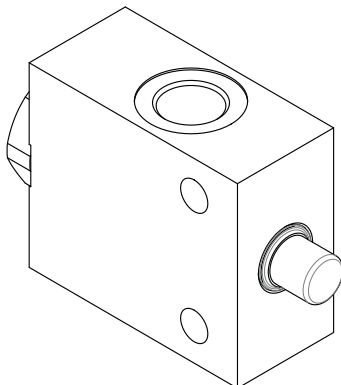
Valve type	(A) (B)
FC02C	G3/8
FC03C	G1/2

Dimensions are in mm-in

Valve type	A	B	C	D	E	F	G	ØH	ØI	L	M	N	Q
FC02C	86.2 3.39	35 1.38	65 2.56	55 2.17	30 1.18	13.2 0.52	12 0.47	27	8.5 0.33	13.5 0.53	43 1.69	30 1.18	8 0.31
FC03C	98.6 3.88	40 1.57	77 3.03	70 2.76	35 1.38	13 0.51	16 0.63	32	8.5 0.33	13.5 0.53	51 2.01	37 1.46	8.5 0.33

Ordering codes and description composition

FC ^{Port size} 03 C



FC-C complete valves

TYPE	CODE	DESCRIPTION
FCS02C	1419622101	Steel body, G3/8 ports
FCS03C	1419632101	Steel body, G1/2 ports
FC02C	1419722100	Steel body, G3/8 ports
FC03C	1419732100	Steel body, G1/2 ports

For SAE thread, please contact our Sales Dpt.