



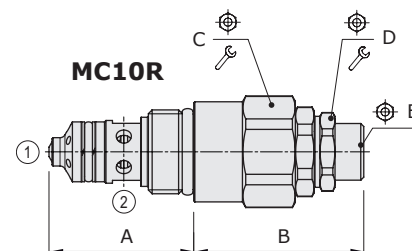
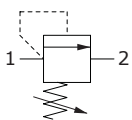
MC..R type pressure relief valves - 2 way

- Direct acting
- Poppet type
- From SAE08 to SAE10 cavities

Technical specifications and diagrams are measured with mineral oil of 46 cSt viscosity at 40°C (104°F) temperature.

	MC08R	MC09R	MC10R
Nominal flow	25 l/min (6.6 US gpm)	35 l/min (9.2 US gpm)	50 l/min (13.2 US gpm)
Max. pressure		350 bar (5100 psi)	
Oil leakage	80% of max. pressure setting	2 cm ³ /min (0.122 in ³ /min)	
Fluid		mineral based oil	
Viscosity		10-200 cSt	
Max level of contamination		20/18/14 ISO4406	
Fluid temperature	with NBR seals with FPM seals	from -20°C (-4°F) to 80°C (176°F) from -20°C (-4°F) to 100°C (212°F)	
Environmental temp. for working conditions		from -20°C (-4°F) to 50°C (122°F)	
Cavity	SAE 08/2 A	SAE 9/2 A	SAE 10/2 A
Weight	0.170 kg (0.37 lb)	0.230 kg (0.51 lb)	0.315 kg (0.69 lb)

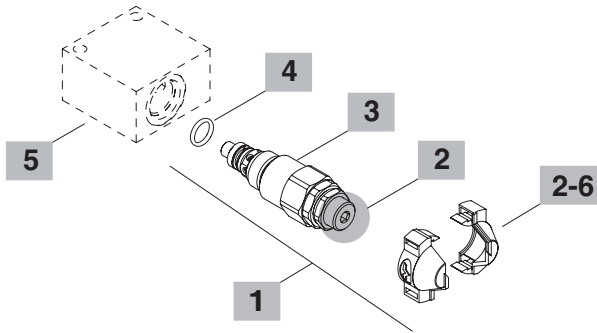
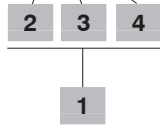
NOTE - For different conditions, please contact Walvoil Sales Dpt.



Valve type	A		B		C	D	E	C		D	
	mm	in	mm	in				Nm	lbft	Nm	lbft
MC08R	34	1.34	46.6	1.83	24	19	5	30	22	25	18
MC09R	33.8	1.33	46,6	1.83	24	19	5	42	31	25	18
MC10R	38.3	1.50	44.4	1.75	27	19	5	50	37	25	18

Ordering codes and description composition

MC08R/OY1B



2 Adjustments

TYPE	DESCRIPTION
Y	With screw
X	Valve set with antitampering cap (part code: see point 6)

3 Pressure range

Standard setting is referred to 5 l/min (1.32 US gpm) flow

TYPE	DESCRIPTION
1	Pressure range 10÷120 bar (145÷1740 psi); Std. setting 80 bar (1160 psi)
2	Pressure range 40÷200 bar (580÷2900 psi); Std. setting 175 bar (2540 psi)
3	Pressure range 200÷350 bar (2900÷5100 psi); Std. setting 250 bar (3600 psi)

4 Seals

TYPE	DESCRIPTION
B	NBR (Buna) o-ring seals, std configuration
V	FPM (Viton) o-ring seals, contact Sales Dept.

1 Cartridges

TYPE	CODE	DESCRIPTION
SAE cavity 08/2 A		
MC08R/OY1B	OMC08002050	Pressure range 1
MC08R/OY2B	OMC08002051	Pressure range 2
MC08R/OY3B	OMC08002052	Pressure range 3
SAE cavity 09/2 A		
MC09R/OY1B	OMC09002000	Pressure range 1
MC09R/OY2B	OMC09002001	Pressure range 2
MC09R/OY3B	OMC09002002	Pressure range 3
SAE cavity 10/2 A		
MC10R/OY1B	OMC10002023	Pressure range 1
MC10R/OY2B	OMC10002024	Pressure range 2
MC10R/OY3B	OMC10002025	Pressure range 3

5 Valve body

TYPE	CODE	DESCRIPTION
SAE 08/2-SAE8	3CC0820K11	Aluminium body for cavity 08 valve, SAE8 std thread
SAE 09/2-G 3/8	3CC0920C11	Aluminium body for cavity 09 valve, G 3/8 std thread
SAE 10/2-SAE8	3CC1020K11	Aluminium body for cavity 10 valve, SAE8 std thread

Note: aluminium body can stand up to 210 bar (3050 psi)
For steel bodies or different threading see from page 215

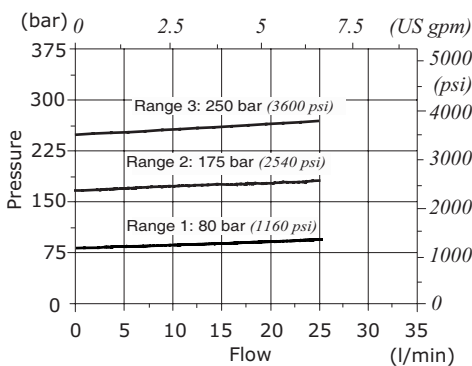
6 Accessories

TYPE	CODE	DESCRIPTION
-	4COP126301	Antitampering cap (X2)

Rating diagrams

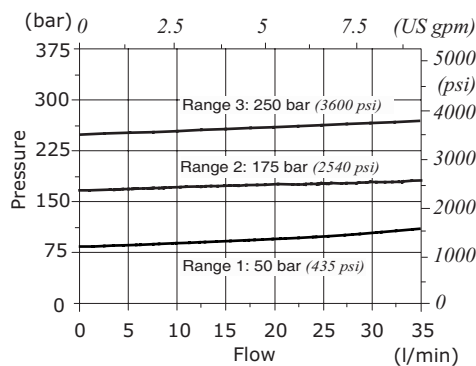
MC08R pressure vs. flow

Std. setting at 5 l/min (1.32 US gpm)



MC09R pressure vs. flow

Std. setting at 5 l/min (1.32 US gpm)



MC10R pressure vs. flow

Std. setting at 5 l/min (1.32 US gpm)

