



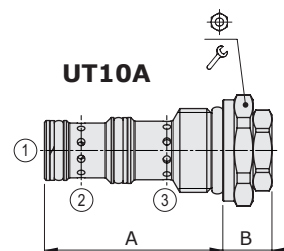
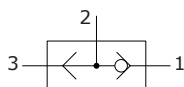
## UT..A type shuttle valves - 3 way

- Shuttle valve
- Poppet type
- From SAE08 to SAE10 cavities

Technical specifications and diagrams are measured with mineral oil of 46 cSt viscosity at 40°C (104°F) temperature.

	UT08A	UT10A
Nominal flow	15 l/min (4 US gpm)	up to 20 l/min (5.3 US gpm)
Max. pressure	350 bar (5100 psi)	
Oil leakage	-	
Fluid	mineral based oil	
Viscosity	10-200 cSt	
Max level of contamination	20/18/14 ISO4406	
Fluid temperature	with NBR seals with FPM seals	from -20°C (-4°F) to 80°C (176°F) from -20°C (-4°F) to 100°C (212°F)
Environmental temp. for working conditions	from -20°C (-4°F) to 50°C (122°F)	
Cavity	SAE 08/3	SAE 10/3
Weight	0.080 kg (0.18 lb)	0.100 kg (0.22 lb)

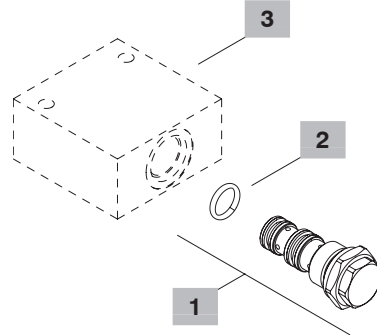
NOTE - For different conditions, please contact Walvoil Sales Dpt.



Valve type	A		B				Nm	lbft
	mm	in	mm	in				
UT08A	40.8	1.60	12.5	0.49	24	30	22	
UT10A	47.2	1.86	13	0.51	27	50	36	

### Ordering codes and description composition

#### UT08A/000B



#### 1 Cartridges

TYPE	CODE	DESCRIPTION
<b>SAE cavity 08/3</b>		
UT08A/000B	OUT08002000	Valve assembly
<b>SAE cavity 10/3</b>		
UT10A/000B	OUT10002000	Valve assembly

#### 2 Seals

TYPE	DESCRIPTION
<b>B</b>	<b>NBR (Buna)</b> Std configuration without addition
<b>V</b>	For valve with <b>FPM (Viton)</b> o-ring seals, contact Sales Dept.

#### 3 Valve body

TYPE	CODE	DESCRIPTION
<b>SAE 08/3-SAE6</b>	3CC0830J11	Aluminium body for cavity 08 valve, SAE6 std thread
<b>SAE 10/3-SAE8</b>	3CC1030K11	Aluminium body for cavity 10 valve, SAE8 std thread

Note: aluminium body can stand up to 210 bar (3050 psi)  
For steel bodies or different threading see from page 217

### Rating diagrams

