



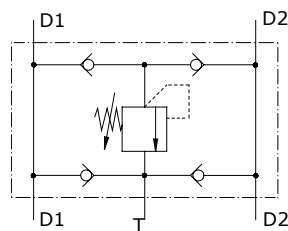
Type VAA/RU/DL pressure relief valves

- Antishock direct acting relief valve with anticavitation, with single adjustment

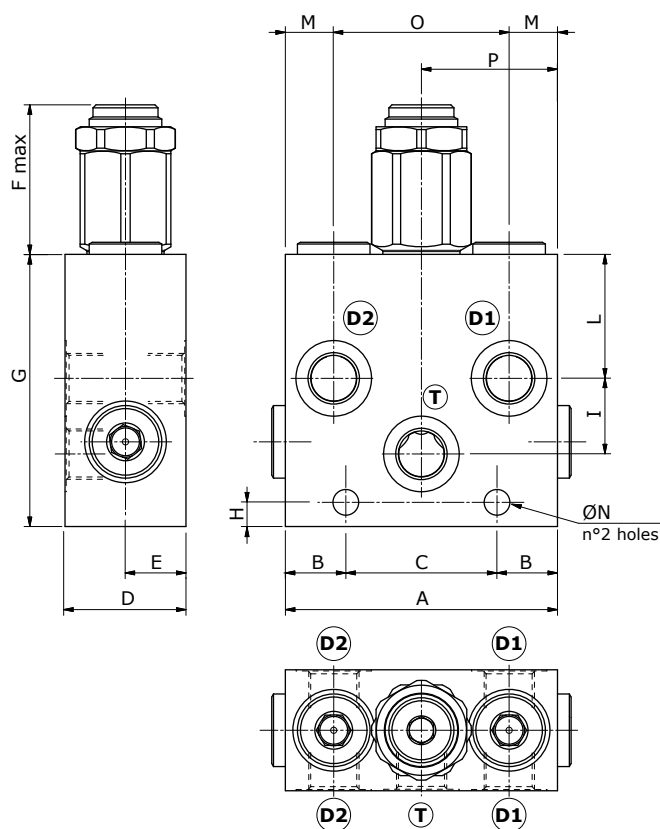
Technical specifications and diagrams are measured with mineral oil of 46 cSt viscosity at 40°C (104°F) temperature.

	VAA/RU/DL 38	VAA/RU/DL 12	VAA/RU/DL 34	VAA/RU/DL 100	
Nominal flow	35 l/min (9.2 US gpm)	60 l/min (16 US gpm)	120 l/min (31.7 US gpm)	180 l/min (47.6 US gpm)	
Max. pressure	Aluminium body = 210 bar (3050 psi) Steel body = 350 bar (5100 psi)				
Oil leakage at 80% of max. setting	0.75 cm ³ /min (0.04 in ³ /min)				
Fluid	mineral based oil				
Viscosity	from 10 to 200 cSt				
Max. level of contamination	18/16/13 ISO4406				
Fluid temperature	with NBR seals from -20°C (-4°F) to 80°C (176°F)				
Environmental temperature for working conditions	from -40°C (-40°F) to 100°C (212°F)				
Weight	aluminium	1.18 kg (2.60 lb)	1.15 kg (2.53 lb)	2.32 kg (5.11 lb)	3.95 kg (8.71 lb)
	steel	2.44 kg (5.38 lb)	2.38 kg (5.25 lb)	4.73 kg (10.43 lb)	8.12 kg (17.90 lb)

NOTE - For different conditions, please contact Walvoil Sales Dpt.



Dimensions

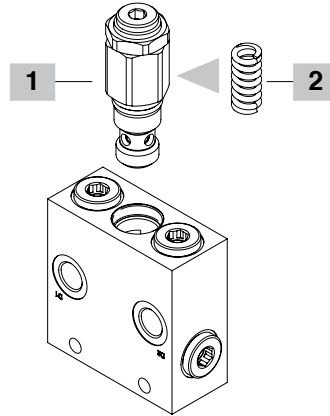
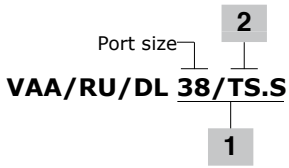


Valve type	All ports
VAA/RU/DL 38	G3/8
VAA/RU/DL 12	G1/2
VAA/RU/DL 34	G3/4
VAA/RU/DL 100	G1"

Dimensions are in mm-in

Valve type	A	B	C	D	E	F	G	H	I	L	M	$\varnothing N$	O	P
VAA/RU/DL 38	90-3.54	20-0.79	50-1.97	40-1.57	20-0.79	57.7-2.27	90-3.54	8-0.31	25-0.98	41-1.61	16-0.39	8.5-0.33	58-2.28	45-1.77
VAA/RU/DL 12	90-3.54	20-0.79	50-1.97	40-1.57	20-0.79	56.2-2.21	90-3.54	8-0.31	25-0.98	41-1.61	16-0.39	8.5-0.33	58-2.28	45-1.77
VAA/RU/DL 34	110-4.33	24-0.94	62-2.44	55-2.16	27.5-1.08	68.8-2.71	110-4.33	8-0.31	31-1.22	53-2.08	24-0.94	8.5-0.33	62-2.44	56-2.20
VAA/RU/DL 100	140-5.51	32-1.26	76-2.99	60-2.36	30-1.18	68.8-2.72	140-5.51	11-0.43	37-1.46	65-2.56	27-1.06	10.5-0.41	86-3.38	70-2.75

Ordering codes and description composition



VAA/RU/DL complete valves

Direct acting valve configuration

Standard setting 150 bar @ 5 l/min (2100 psi at 1.32 US gpm)

TYPE	CODE	DESCRIPTION
------	------	-------------

Configuration with G3/8 standard thread

VAA/RU/DL 38/TS.S	1160021102	Aluminium body, setting range 5-210 bar (72.5-3045 psi)
--------------------------	------------	---

VAA/RU/DL 38/TS.S/ac	1160022100	Steel body, as previous one
-----------------------------	------------	-----------------------------

Configuration with G1/2 standard thread

VAA/RU/DL 12/TS.S	1160031102	Aluminium body, setting range 5-210 bar (72.5-3045 psi)
--------------------------	------------	---

VAA/RU/DL 12/TS.S/ac	1160032100	Steel body, as previous one
-----------------------------	------------	-----------------------------

Configuration with G3/4 standard thread

VAA/RU/DL 34/TS.S	1160041102	Aluminium body, setting range 5-210 bar (72.5-3045 psi)
--------------------------	------------	---

VAA/RU/DL 34/TS.S/ac	1160042100	Steel body, as previous one
-----------------------------	------------	-----------------------------

Configuration with G1" standard thread

VAA/RU/DL 100/TS.S	1160051100	Aluminium body, setting range 5-210 bar (72.5-3045 psi)
---------------------------	------------	---

VAA/RU/DL 100/TS.S/ac	1160052101	Steel body, as previous one
------------------------------	------------	-----------------------------

For other steel body configurations, SAE thread and configurations with FPM (Viton) seals, please contact our Sales Dpt.

1 Direct acting pressure relief valves

Standard setting 150 bar @ 5 l/min (2100 psi at 1.32 US gpm)

TYPE	CODE	DESCRIPTION
------	------	-------------

For G3/8 and G1/2 ports configuration

VMPD 12/TS.S	1120030402	Setting range 5-210 bar (72.5-3050 psi)
---------------------	------------	---

For G3/4 ports configuration

VMPD 34/TS.S	1120040402	Setting range 5-210 bar (72.5-3050 psi)
---------------------	------------	---

For G1" ports configuration

VMPD 100/TS.S	1120050402	Setting range 5-210 bar (72.5-3050 psi)
----------------------	------------	---

2 Pressure setting spring

TYPE	CODE	DESCRIPTION
------	------	-------------

For VAA/RU/DL 38, 12 and 100 valves

TS	3ML1164000	Spring for range 5-210 bar (72.5-3050 psi)
-----------	------------	--

TR	3ML1164001	Spring for range 50-350 bar (725-5100 psi)
-----------	------------	--

For VAA/RU/DL 34 valve

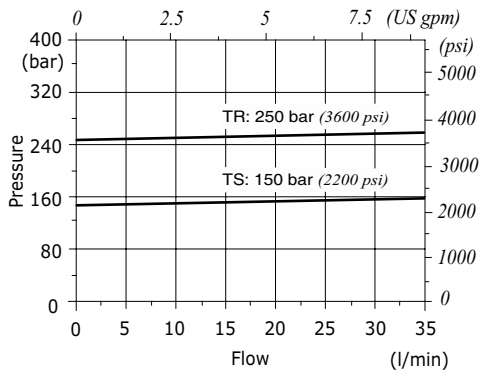
TS	3ML1194500	Spring for range 5-210 bar (72.5-3050 psi)
-----------	------------	--

TR	3ML1194501	Spring for range 50-350 bar (725-5100 psi)
-----------	------------	--

Rating diagrams

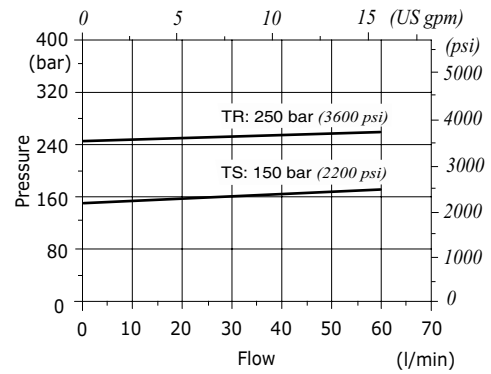
VAA/RU/DL 38 pressure vs. flow

Std. setting @ 5 l/min (1.32 US gpm)



VAA/RU/DL 12 pressure dop vs. flow

Std. setting @ 5 l/min (1.32 US gpm)



VAA/RU/DL 34-100 pressure vs. flow

Std. setting @ 5 l/min (1.32 US gpm)

