



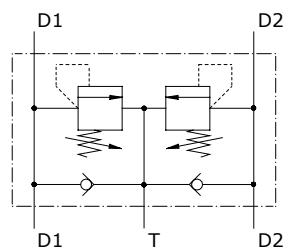
Type VAIL/VA pressure relief valves

- Double antishock direct acting relief valve with anticavitation

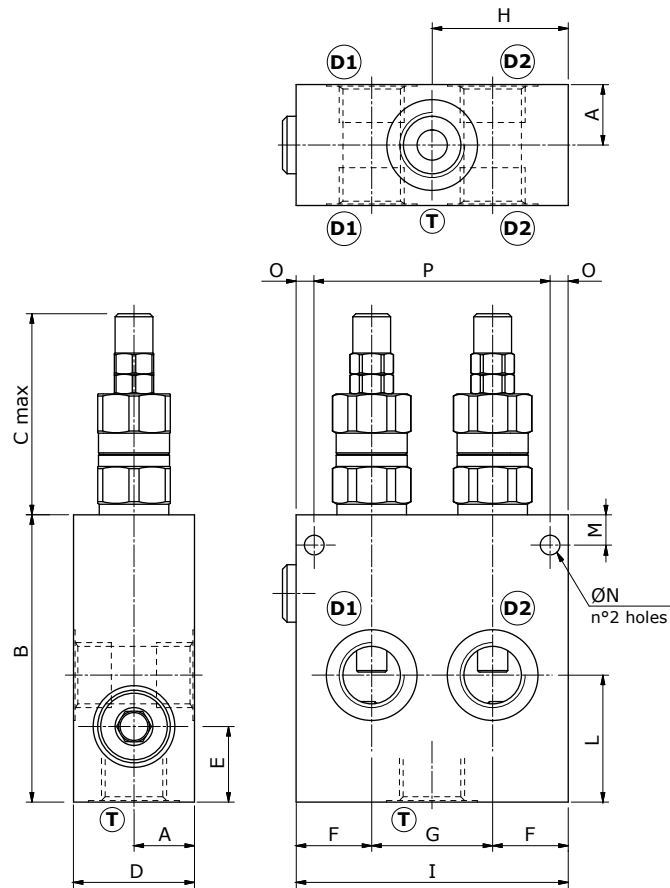
Technical specifications and diagrams are measured with mineral oil of 46 cSt viscosity at 40°C (104°F) temperature.

| | VAIL/VA 12 | VAIL/VA 34 |
|--|---|----------------------|
| Nominal flow | 35 l/min (9.2 US gpm) | 80 l/min (21 US gpm) |
| Max. pressure | Aluminium body = 210 bar (3050 psi) Steel body = 350 bar (5100 psi) | |
| Oil leakage at 80% of max. setting | 6 cm ³ /min (0.37 in ³ /min) | |
| Fluid | mineral based oil | |
| Viscosity | from 10 to 200 cSt | |
| Max. level of contamination | 18/16/13 ISO4406 | |
| Fluid temperature | with NBR seals from -20°C (-4°F) to 80°C (176°F) with FPM seals from -20°C (-4°F) to 100°C (212°F) | |
| Environmental temp. for working conditions | from -40°C (-40°F) to 100°C (212°F) | |
| Weight | aluminium | 2.48 kg (5.47 lb) |
| | steel | 3.49 kg (7.69 lb) |
| | | 2.23 kg (4.92 lb) |
| | | 4.47 kg (9.85 lb) |

NOTE - For different conditions, please contact Walvoil Sales Dpt.



Dimensions

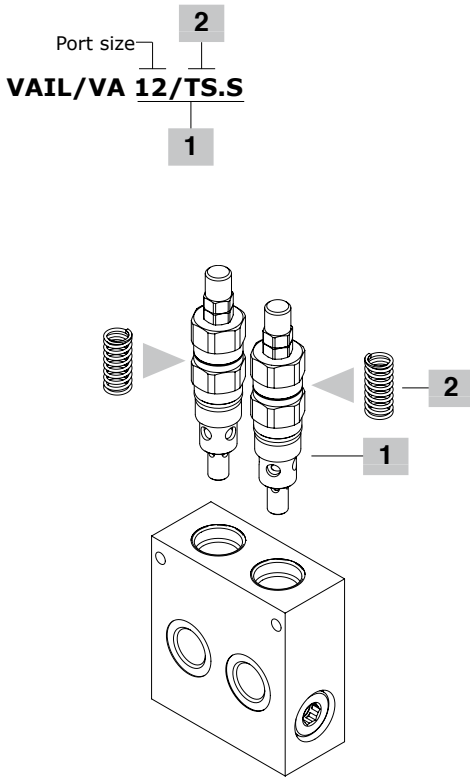


| | |
|-------------------|------------------|
| Valve type | All ports |
| VAIL/VA 12 | G1/2 |
| VAIL/VA 34 | G3/4 |
| Valve type | All ports |
| VAIL/VA 12/SAE | SAE10 |
| VAIL/VA 34/SAE | SAE12 |

Dimensions are in mm-in

| Valve type | A | B | C | D | E | F | G | H | I | L | M | ØN | O | P |
|------------------------------|---------|----------|-----------|---------|---------|---------|---------|---------|----------|---------|---------|----------|--------|---------|
| VAIL/VA 12 VAIL/VA 12/SAE | 20-0.79 | 95-3.74 | 68-2.68 | 40-1.57 | 25-0.98 | 25-0.98 | 40-1.57 | 45-1.77 | 90-3.54 | 42-1.65 | 10-0.39 | 6.5-0.25 | 6-0.24 | 78-3.07 |
| VAIL/VA 34 VAIL/VA 34/SAE | 25-0.98 | 110-4.33 | 82.5-3.25 | 50-1.97 | 24-0.94 | 29-1.14 | 52-2.05 | 55-2.05 | 110-4.33 | 47-1.85 | 10-0.39 | 8.5-0.33 | 8-0.31 | 94-3.70 |

Ordering codes and description composition



VAIL/VA complete valves

Aluminium body configuration, with direct acting valves; standard setting 140 bar @ 5 l/min (2030 psi at 1.32 US gpm)

| TYPE | CODE | DESCRIPTION |
|------|------|-------------|
|------|------|-------------|

Configuration with G1/2 standard thread

VAIL/VA 12/TS.S 1142031102 Range 50-200 bar (725-2900 psi)

VAIL/VA 12/TS.S/ac 1142032101 Range 50-200 bar (725-2900 psi)

Configuration with G3/4 standard thread

VAIL/VA 34/TS.S 1142041102 Range 50-200 bar (725-2900 psi)

VAIL/VA 34/TS.S/ac 1142042100 Range 50-200 bar (725-2900 psi)

Configuration with SAE10 standard thread

VAIL/VA 12/TS.S/SAE 1142031200 Range 50-200 bar (725-2900 psi)

Configuration with SAE12 standard thread

VAIL/VA 34/TS.S/SAE 1142041200 Range 50-200 bar (725-2900 psi)

1 Direct acting pressure relief valves

| TYPE | CODE | DESCRIPTION |
|------|------|-------------|
|------|------|-------------|

For G1/2 and SAE10 ports configuration

VMP 12/TS.S 1100030406 Setting range 50-200 bar (725-2900 psi)

For G3/4 and SAE12 ports configuration

VMP 34/TS.S 1100040406 Setting range 50-200 bar (725-2900 psi)

2 Pressure setting spring

| TYPE | CODE | DESCRIPTION |
|------|------|-------------|
|------|------|-------------|

For VAIL/VA 12 valve

TB 3ML1144600 Setting range 5-30 bar (72.5-435 psi)

TV 3ML1144601 Setting range 20-100 bar (290-1450 psi)

TS 3ML1144602 Setting range 50-200 bar (725-2900 psi)

TR 3ML1144603 Setting range 100-300 bar (1450-4350 psi)

For VAIL/VA 34 valve

TV 3ML1166804 Setting range 5-100 bar (72.5- 1450 psi)

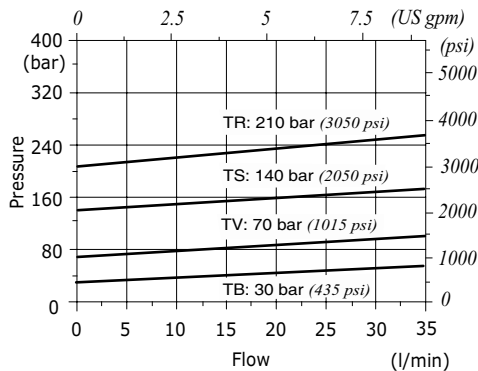
TS 3ML1146800 Setting range 50-200 bar (725-2900 psi)

TR 3ML1166805 Setting range 100-300 bar (1450-4350 psi)

For other steel body configurations, SAE thread and configurations with FPM (Viton) seals, please contact our Sales Dpt.

Rating diagrams

VAIL/VA 12 pressure drop vs. flow
Std. setting @ 5 l/min (1.32 US gpm)



VAIL/VA 34 pressure drop vs. flow
Std. setting @ 5 l/min (1.32 US gpm)

