



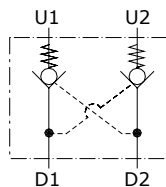
Type VBPD/L/T pilot operated check valves

- Double acting

Technical specifications and diagrams are measured with mineral oil of 46 cSt viscosity at 40°C (104°F) temperature.

	VBPD/L/T 38	VBPD/L/T 12	VBPD/L/T 34	
Nominal flow	25 l/min (6.6 US gpm)	50 l/min (13.2 US gpm)	100 l/min (26.4 US gpm)	
Max. pressure	Aluminium body = 210 bar (3050 psi) Steel body = 350 bar (5100 psi)			
Oil leakage	0.25 cm ³ /min (0.015 in ³ /min) at 210 bar (3050 psi)			
Fluid	mineral based oil			
Viscosity	from 10 to 200 cSt			
Max. level of contamination	18/16/13 ISO4406			
Fluid temperature	with NBR seals from -20°C (-4°F) to 80°C (176°F)			
Environmental temp. for working conditions	from -40°C (-40°F) to 100°C (212°F)			
Weight	aluminium	0.63 kg (1.39 lb)	1.19 kg (2.62 lb)	2.46 kg (5.42 lb)
	steel	1.69 kg (3.73 lb)	2.13 kg (4.70 lb)	5.36 kg (11.81 lb)

NOTE - For different conditions, please contact Walvoil Sales Dpt.



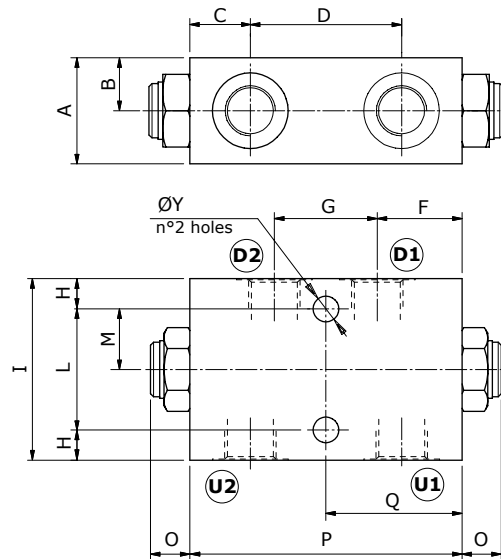
Dimensions

Valve type	All ports	Valve type	All ports
VBPDL/T 38	G3/8	VBPDL/T 38/SAE	SAE8
VBPDL/T 12	G1/2	VBPDL/T 12/SAE	SAE10
VBPDL/T 34	G3/4	VBPDL/T 34/SAE	SAE12

Dimensions are in mm-in

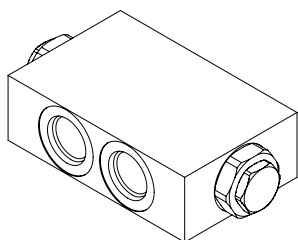
Valve type	A	B	C	D	F	G	ØY
VBPDL/T 38	35-5.39	17.5-5.39	20-0.79	50-1.97	28-1.10	34-1.34	8.5-0.33
VBPDL/T 38/SAE	35-5.39	17.5-5.39	21-0.83	68-2.68	38-1.50	34-1.34	8.5-0.33
VBPDL/T 34	50-1.97	25-0.98	30-1.18	105-4.13	57.5-2.26	50-1.97	8.5-0.33
VBPDL/T 34/SAE	50-1.97	25-0.98	30-1.18	105-4.13	57.5-2.26	50-1.97	8.5-0.33

Valve type	H	I	L	M	O	P	Q
VBPDL/T 38	10-0.39	60-2.36	40-1.57	20-0.79	14.5-0.57	90-3.54	45-1.77
VBPDL/T 38/SAE	10-0.39	60-2.36	40-1.57	20-0.79	14.5-0.57	90-3.54	45-1.77
VBPDL/T 12	15-0.59	70-2.36	40-1.57	20-0.79	13-0.39	110-4.3	55-2.16
VBPDL/T 12/SAE	15-0.59	70-2.36	40-1.57	20-0.79	13-0.39	110-4.3	55-2.16
VBPDL/T 34	15-0.59	90-3.54	60-1.97	30-1.18	16.5-0.65	165-6.50	82.5-3.25
VBPDL/T 34/SAE	15-0.59	90-3.54	60-1.97	30-1.18	16.5-0.65	165-6.50	82.5-3.25



Ordering codes and description composition

Port size
VBPDL/T 38/p4
 Pilot ratio



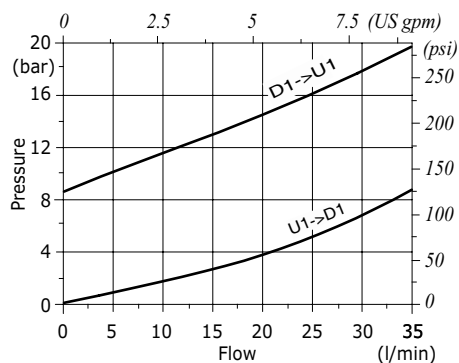
VBPDL/T complete valves

TYPE	CODE	DESCRIPTION
VBPDL/T 38/p4	1422021100	Aluminium body, pilot ratio 1:4, G3/8 ports
VBPDL/T 38/p4/ac	1422022100	Steel body, as previous one
VBPDL/T 12/p4	1422031100	Aluminium body, pilot ratio 1:4, G1/2 ports
VBPDL/T 12/p4/ac	1422032100	Steel body, as previous one
VBPDL/T 34/p4	1422041100	Aluminium body, pilot ratio 1:4, G3/4 ports
VBPDL/T 34/p4/ac	1422042100	Steel body, as previous one
VBPDL/T 38/p4/SAE	1422021200	Aluminium body, pilot ratio 1:4, SAE8 ports
VBPDL/T 38/p4/ac/SAE	1422022200	Steel body, as previous one
VBPDL/T 12/p4/SAE	1422031200	Aluminium body, pilot ratio 1:4, SAE10 ports
VBPDL/T 34/p4/SAE	1422041200	Aluminium body, pilot ratio 1:4, SAE12 ports

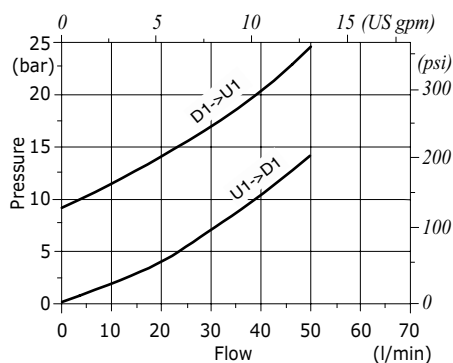
For other steel body configurations, other port sizes and configurations with FPM (Viton) seals please contact our Sales Dpt.

Rating diagram

VBPDL/T 38 pressure drop vs. flow



VBPDL/T 12 pressure drop vs. flow



VBPDL/T 34 pressure drop vs. flow

