



## Type VE/B/RO directional solenoid valves

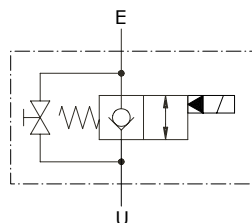
- Two way
- With emergency
- Pilot operated
- Bolt mounting

Technical specifications and diagrams are measured with mineral oil of 46 cSt viscosity at 40°C (104°F) temperature.

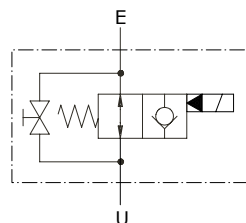
	VE/B/RO 14	VE/B/RO 38
Nominal flow	20 l/min (5.3 US gpm)	40 l/min (10.6 US gpm)
Max. pressure	Aluminium and steel body: 210 bar (3050 psi)	Aluminium body = 210 bar (3050 psi) Steel body = 350 bar (5100 psi)
Oil leakage	0.25 cm <sup>3</sup> /min - 0.015 in <sup>3</sup> /min. - 2 drops at 210 bar - 3050 psi	
Fluid	mineral based oil	
Viscosity	from 10 to 200 cSt	
Max. level of contamination	18/16/13 ISO4406	
Fluid temperature	with NBR seals from -20°C (-4°F) to 80°C (176°F)	
Environmental temp. for working conditions	from -40°C (-40°F) to 100°C (212°F)	
Weight	aluminium	0.41 kg (0.90 lb)
	steel	0.99 kg (2.18 lb)
		0.45 kg (0.99 lb)
		1.06 kg (2.34 lb)

NOTE - For different conditions, please contact Walvoil Sales Dpt.

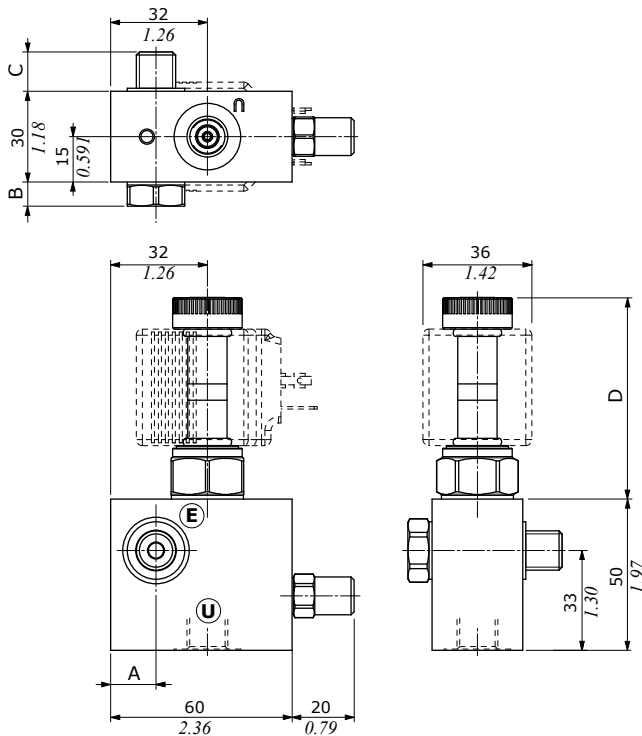
**Normally closed configuration (NC)**



**Normally open configuration (NA)**



## Dimensions

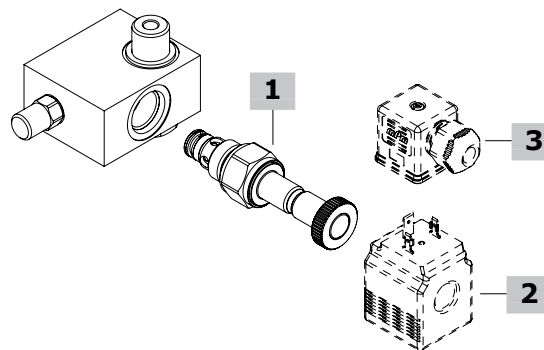


Valve type	U	E
	female	male
<b>VE/B 14</b>	G1/4	G1/4
<b>VE/B 38</b>	G3/8	G3/8

Valve type	A	B	C	D	
				(NA)	(NC)
<b>VE/B/RO 14</b>	15	8	13	66.7	62.8
	0.591	0.315	0.512	2.63	2.47
<b>VE/B/RO 38</b>	14	9	14	66.7	62.8
	0.551	0.354	0.551	2.63	2.47

## Ordering codes and description composition

Port size  
**VE/B/RO 14/NA**  
**1**



### VE/B/RO complete valves

TYPE	CODE	DESCRIPTION
<b>(NA) normally open solenoid valve configuration</b>		
<b>VE/B/RO 14/NA/EC08M</b>	1722011101	Aluminium body, 1/4 ports
<b>VE/B/RO 38/NA/EC08M</b>	1722011103	Aluminium body, 3/8 ports
<b>(NC) normally closed solenoid valve configuration</b>		
<b>VE/B/RO 14/NC/EC08M</b>	1722011100	Aluminium body, 1/4 ports
<b>VE/B/RO 38/NC/EC08M</b>	1722021103	Aluminium body, 3/8 ports

For other steel body configurations, SAE thread, other port sizes and configurations with FPM (Viton) seals, please contact our Sales Dpt.

### 1 Solenoid valve

TYPE	CODE	DESCRIPTION
<b>EC08M/10NB</b>	0EC08002031	(NA) normally open configuration BER coils required
<b>EC08M/20NB</b>	0EC08002032	(NC) normally closed configuration BER coils required

### 2 Coils

TYPE	CODE	DESCRIPTION
<b>BER 12VDC</b>	4SLE001200A	12VDC-ISO4400 coil

For complete coils list see from page 433

### 3 Connector

TYPE	CODE	DESCRIPTION
<b>ISO4400</b>	4CN1009995	Connector

For complete connectors list see from page 433

