



Type VIA/DSL automatic reversing valves

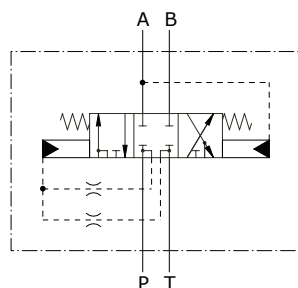
- Face mounting cetop 5
- Cast iron body

Technical specifications and diagrams are measured with mineral oil of 46 cSt viscosity at 40°C (104°F) temperature.

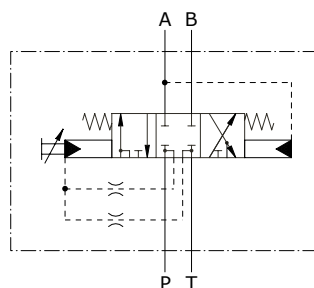
VIA/DSL 10-12

Nominal flow	60 l/min (15.9 US gpm)
Min. flow	10 l/min (2.6 US gpm)
Max. pressure	210 bar (3050 psi)
Max. reversing frequency	30/min
Fluid	mineral based oil
Viscosity	from 10 to 200 cSt
Max level of contamination	18/16/13 ISO4406
Fluid temperature	with NBR seals from -20°C (-4°F) to 80°C (176°F)
Environmental temp. for working conditions	from -40°C (-40°F) to 100°C (212°F)
Weight	2.2 kg (4.85 lb) with stroke limiter configuration: 2.3 kg (5.07 lb)
	<i>cast iron</i>

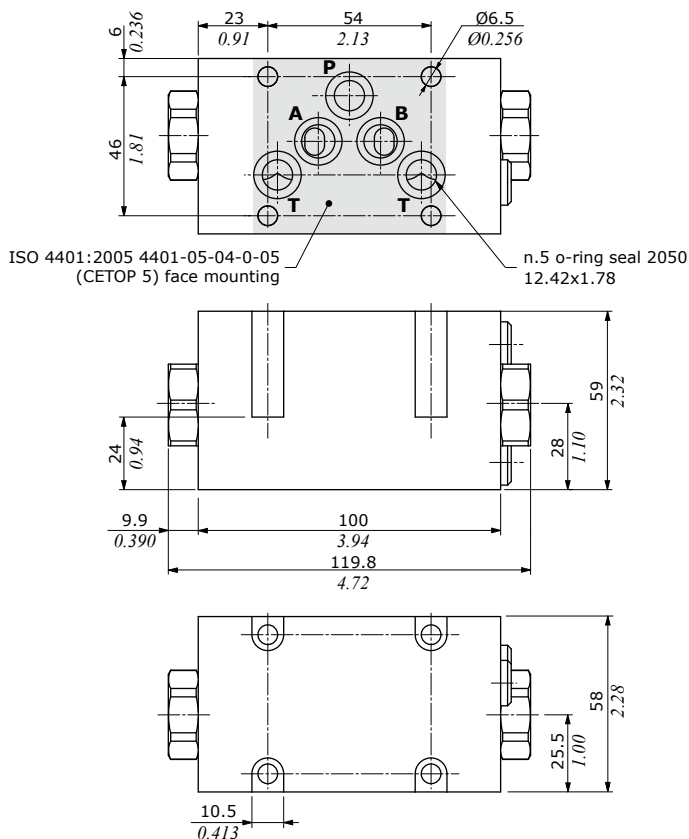
NOTE - For different conditions, please contact Walvoil Sales Dpt.



With stroke limiter

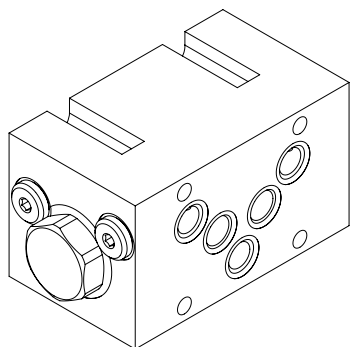


Dimensions



Ordering codes and description composition

VIA/DSL 10-12/gh



Complete valves

TYPE: **VIA/DSL 10-12/gh**

CODE: 1915033903

DESCRIPTION: Cast iron body, CETOP 5 flange

TYPE: **VIA/DSL 10-12/gh pass.magg. con fine corsa**

CODE: 1915033910

DESCRIPTION: cast iron body, increased spool, with stroke limiter
 For configurations with FPM (Viton) seals and SAE threads, please
 contact our Sales Dpt.

Types and ordering codes

Coil type	Voltage	Connectors					
		ISO4400	Deutsch DT	AMP JPT	Packard Weatherpack	Packard Metri-pack	Flying leads (without conn.)
BER	10 VDC	4SLE001000A	-	-	-	-	-
	12 VDC	4SLE001200A	4SLE001201A ⁽⁵⁾	4SLE001203A ⁽⁵⁾	4SLE001210A ⁽²⁾	4SLE001214A ⁽²⁾	4SLE001207A
		4SLE001217A ⁽³⁾	4SLE001209A ⁽³⁻⁵⁾	4SLE001211A ⁽³⁻⁵⁾	-	-	-
		-	4SLE001202A ⁽⁶⁾	-	-	-	-
		-	4SLE001216A ⁽³⁻⁶⁾	-	-	-	-
	14 VDC	-	4SLE001400A ⁽⁶⁾	4SLE001403A ⁽³⁻⁵⁾	-	-	-
	24 VDC	4SLE002400A	4SLE001401A ⁽³⁻⁶⁾	-	-	-	-
		4SLE002408A ⁽³⁾	4SLE001402A ⁽³⁻⁵⁾	4SLE002403A ⁽⁵⁾	-	-	4SLE002404A
28 VDC	-	4SLE002407A ⁽³⁻⁵⁾	4SLE002402A ⁽⁶⁾	-	-	-	
48 VDC	4SLE004800A	4SLE002802A ⁽⁶⁾	4SLE002800A ⁽⁵⁾	-	-	-	
110VDC	4SLE304800A ⁽¹⁾	-	-	-	-	-	
220 VDC	4SLE011000A	-	-	-	-	-	
		4SLE311000A ⁽¹⁾	-	-	-	-	
		4SLE022000A	-	-	-	-	
		4SLE322000A ⁽¹⁾	-	-	-	-	
BT	10 VDC	4SL3000100	-	-	-	-	-
	12 VDC	4SL3000120	4SL3000130 ⁽⁶⁾	4SL3000122 ⁽⁵⁾	4SL3000124 ⁽²⁾	4SL3000127 ⁽²⁾	4SL300012C
		4SL3000126 ⁽⁴⁾	4SL3000134 ⁽³⁻⁶⁾	4SL3001200 ⁽³⁻⁵⁾	-	-	-
		-	4SL3000128 ⁽²⁾	-	-	-	-
	24 VDC	4SL3000240	4SL3000249 ⁽⁶⁾	4SL3000248 ⁽⁵⁾	-	-	4SL3000246
	26 VDC	4SL3030240 ⁽¹⁾	4SL300024C ⁽³⁻⁶⁾	-	-	-	-
	48 VDC	4SL3000260	-	-	-	-	-
	110 VDC	4SL3000480	-	-	-	-	-
220 VDC	4SL3030480 ⁽¹⁾	-	-	-	-	-	
		4SL3001100	-	-	-	-	
		4SL3031100 ⁽¹⁾	-	-	-	-	
		4SL3002200	-	-	-	-	
		4SL3032200 ⁽¹⁾	-	-	-	-	
Mating connectors							
Standard		4CN1009995	5CON140031	5CON003	5CON001	5CON017	
With rectifier	24VDC	4CN3010240	-	-	-	-	
	48VDC	4CN3010480	-	-	-	-	
	110VDC	4CN3011100	-	-	-	-	
	220VDC	4CN3012200	-	-	-	-	

NOTES: ⁽¹⁾ supply with AC and use only with rectifier connector - ⁽²⁾ with flying leads - ⁽³⁾ with bidirectional diode - ⁽⁴⁾ with unidirectional diode
⁽⁵⁾ integrated perpendicular type - ⁽⁶⁾ integrated parallel type