



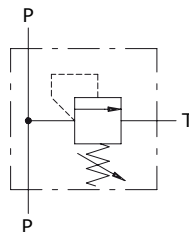
Type VMDS150 pressure relief valves

- Differential acting

Technical specifications and diagrams are measured with mineral oil of 46 cSt viscosity at 40°C (104°F) temperature.

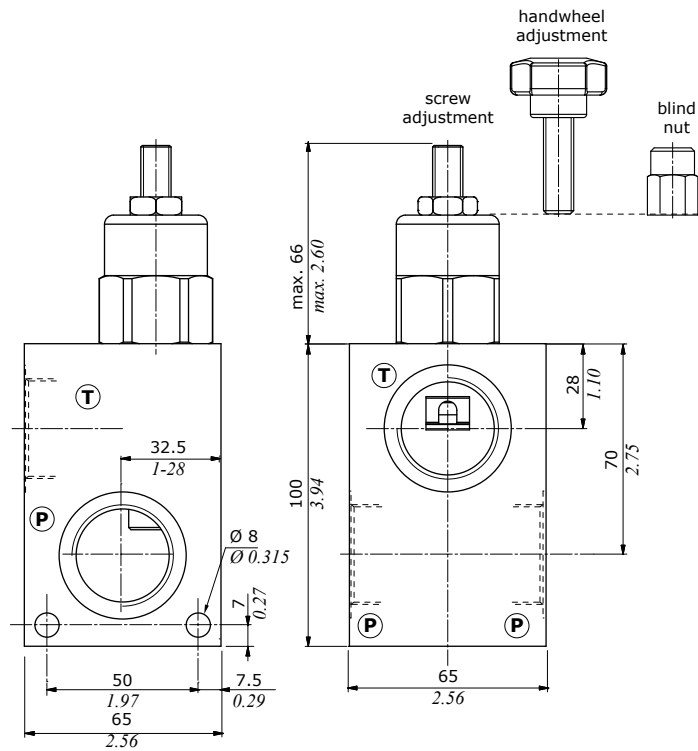
	VMDS15005	VMDS15006
Nominal flow	150 l/min (39.6 US gpm)	
Max. pressure	Steel body = 350 bar (5100 psi)	
Fluid	mineral based oil	
Viscosity	from 10 to 200 cSt	
Max. level of contamination	18/16/13 ISO4406	
Fluid temperature	with NBR seals from -20°C (-4°F) to 80°C (176°F)	
Environmental temperature for working conditions	from -40°C (-40°F) to 100°C (212°F)	
Weight	steel 2.76 kg (6.08 lb)	2.43 kg (5.42 lb)

NOTE - For different conditions, please contact Walvoil Sales Dpt.

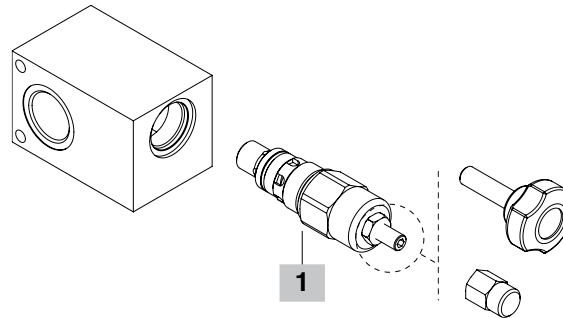
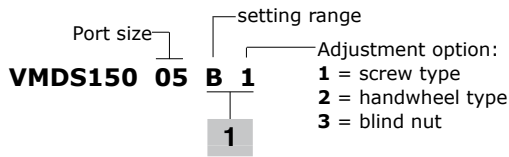


Dimensions

Valve type	All ports
VMDS15005	G1"
VMDS150 06	G1"1/4



Ordering codes and description composition



VMDS150 complete valves

Standard setting 250 bar @ 5 l/min (3600 psi @ 1.32 US gpm)

CODE	DESCRIPTION
------	-------------

Configuration with G1 standard thread

VMDS15005B1 1121352100 Steel body, setting range 30-250 bar (435-3600 psi) (3 ATTACCHI)

Configuration with G1 1/4 standard thread

VMDS15006B1 1121362100 Steel body, setting range 30-250 bar (435-3600 psi) (3 ATTACCHI)

For different configurations and SAE thread please contact our Sales Dpt.

1 Direct acting pressure relief valves

TYPE	CODE	DESCRIPTION
VMDC150B1	1120250400	Screw adjustment, setting range 30-250 bar (435-3600 psi), std setting 100 bar @ 5 l/min (1450 psi @ 1.32 US gpm)

Rating diagrams

