



Type VODL/N1516/CS - VODL/V1516/CS counterbalance valves

- Double acting
- Load Sensitive (type N)
- Vented (type V)

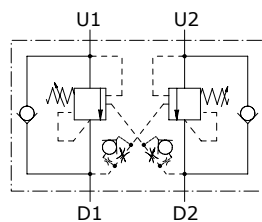
Technical specifications and diagrams are measured with mineral oil of 46 cSt viscosity at 40°C (104°F) temperature.

VODL/N1516/CS (12-34) - VODL/V1516/CS (12-34)

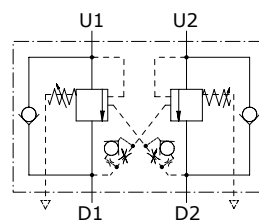
Nominal flow	160 l/min (42.3 US gpm)
Max. pressure	350 bar ⁽¹⁾ (5100 psi) - 400 bar ⁽²⁾ (5800 psi)
Oil leakage	0.5 cm ³ /min (0.030 in ³ /min) - 10 drops/min at 80% of pressure setting
Fluid	mineral based oil
Viscosity	from 10 to 200 cSt
Max. level of contamination	18/16/13 ISO4406
Fluid temperature	with NBR seals from -20°C (-4°F) to 90°C (194°F)
Environmental temp. for working conditions	from -20°C (-4°F) to 50°C (122°F)
Weight	VODL/N1516/CS/12: 5.40 kg (11.90 lb) - VODL/N1516/CS/34: 5.30 kg (11.68 lb) VODL/V1516/CS/12: 5.40 kg (11.90 lb) - VODL/V1516/CS/34: 5.30 kg (11.68 lb)

NOTE - For different conditions, please contact Walvoil Sales Dpt. - ⁽¹⁾According to NFPA T 2.6.1., fatigue rating verified for 1 million cycles on 6 sample valves with test Pressure = 1.23 x Max. pressure indicated - ⁽²⁾Intermittent pressure at max. 100,000 cycles with specific internal testing.

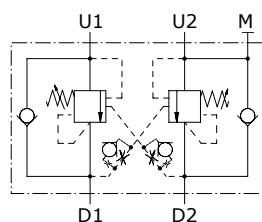
VODL/N1516/CS



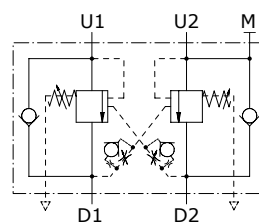
VODL/V1516/CS



VODL/N1516/CS/F2

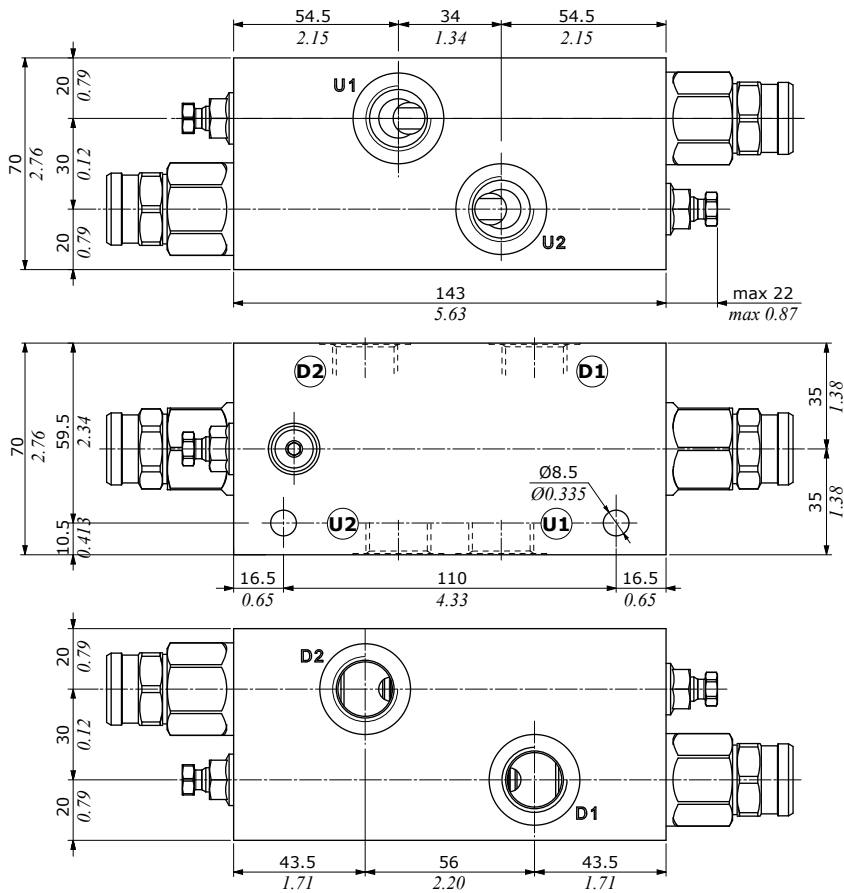


VODL/V1516/CS/F2



Dimensions

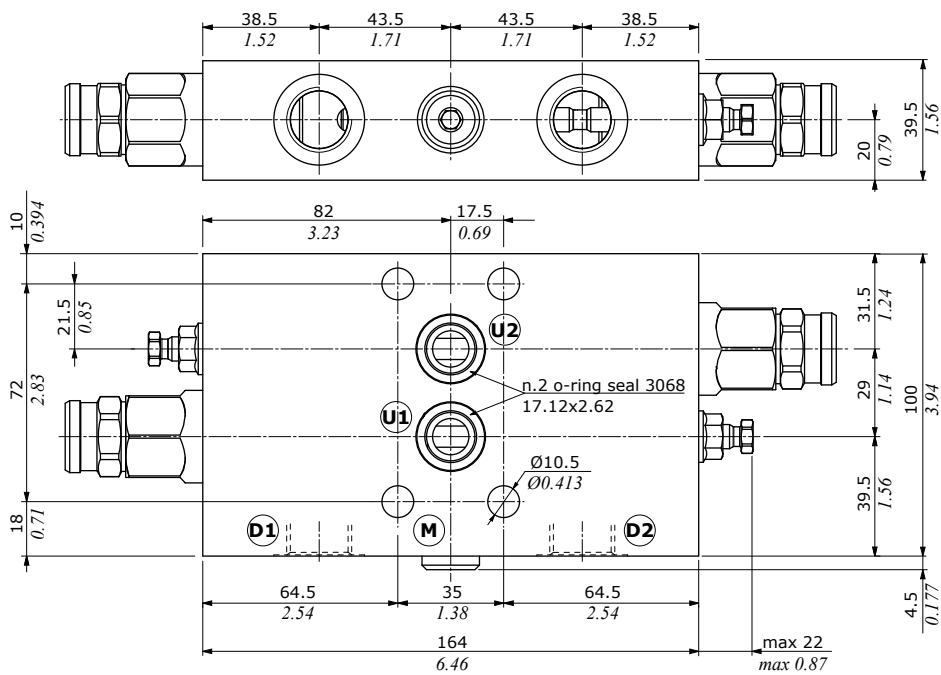
VODL/...1516/CS/12 - VODL/...1516/CS/34



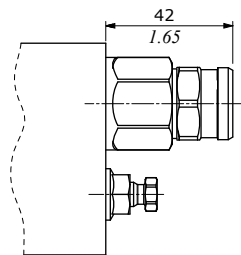
Valve type	D1	D2	U1	U2	M
VODL/...1516/CS/12	G1/2	G1/2	-	-	-
VODL/...1516/CS/34	G3/4	G3/4	-	-	-
VODL/...1516/CS/12F2	G1/2	Ø12 Ø0.472	-	-	G1/4
VODL/...1516/CS/34F2	G3/4	Ø12 Ø0.472	-	-	G1/4

Valve type	D1	D2	U1	U2	M
VODL/...1516/CS/S10	SAE10	SAE10	-	-	-
VODL/...1516/CS/S12	SAE12	SAE12	-	-	-
VODL/...1516/CS/S10F2	SAE10	Ø12 Ø0.472	-	-	G1/4
VODL/...1516/CS/S12F2	SAE12	Ø12 Ø0.472	-	-	G1/4

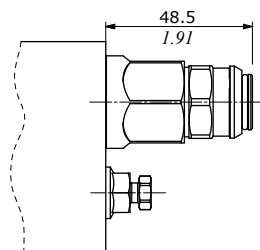
VODL/...1516/CS/12F2 - VODL/...1516/CS/34F2



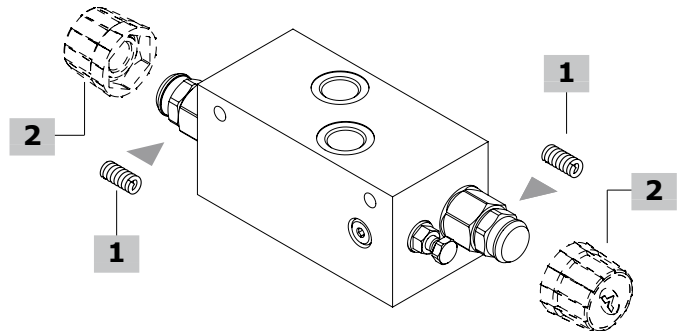
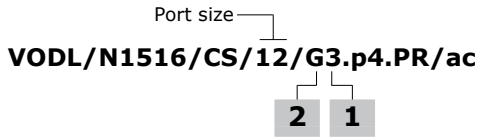
VODL/N configuration



VODL/V configuration



Ordering codes and description composition



VODL/N1516 Complete valves

Load sensitive (N) configuration with G1/2 thread

Pilot ratio 1:4

TYPE: **VODL/N1516/CS/12/G3.p4.PR/ac** CODE: 1556532100

DESCRIPTION: Steel body, range 100-210 bar (1450-3050 psi), std setting 150 bar (2175 psi) @ 5 l/min (1.32 US gpm)

TYPE: **VODL/N1516/CS/12/G5.p4.PR/ac** CODE: 1556532101

DESCRIPTION: Steel body, range 150-350 bar (2175-5075 psi), std setting 280 bar (4060 psi) @ 5 l/min (1.32 US gpm)

TYPE: **VODL/N1516/CS/12/G7.p4.PR/ac** CODE: 1556532102

DESCRIPTION: range 200-400 bar (2900-5800 psi), std setting 350 bar (5075 psi) @ 5 l/min (1.32 US gpm)

Pilot ratio 1:8

TYPE: **VODL/N1516/CS/12/G5.p8.PR/ac** CODE: 1556532104

DESCRIPTION: Steel body, range 150-350 bar (2175-5075 psi), std setting 280 bar (4060 psi) @ 5 l/min (1.32 US gpm)

TYPE: **VODL/N1516/CS/12/G7.p8.PR/ac** CODE: 1556532105

DESCRIPTION: Steel body, range 200-400 bar (2900-5800 psi), std setting 350 bar (5075 psi) @ 5 l/min (1.32 US gpm)

Zero differential pilot ratio

TYPE: **VODL/N1516/CS/12/G3.p0.PR/ac** CODE: 1556532106

DESCRIPTION: Steel body, range 50-210 bar (725-3050 psi), std setting 150 bar (2175 psi) @ 5 l/min (1.32 US gpm)

TYPE: **VODL/N1516/CS/12/G5.p0.PR/ac** CODE: 1556532107

DESCRIPTION: Steel body, range 50-350 bar (725-5075 psi), std setting 280 bar (4060 psi) @ 5 l/min (1.32 US gpm)

TYPE: **VODL/N1516/CS/12/G7.p0.PR/ac** CODE: 1556532108

DESCRIPTION: Steel body, range 150-400 bar (2175-5800 psi), std setting 350 bar (5075 psi) @ 5 l/min (1.32 US gpm)

Load sensitive (N) configuration with G1/2 thread and F2 flange

TYPE: **VODL/N1516/CS/12F2/G5.p4.PR/ac** CODE: 1557032100

DESCRIPTION: Steel body, pilot ratio 1:4, range 150-350 bar (2175-5075 psi), std setting 280 bar (4060 psi) @ 5 l/min (1.32 US gpm)

TYPE: **VODL/N1516/CS/12F2/G5.p8.PR/ac** CODE: 1557032101

DESCRIPTION: Steel body, pilot ratio 1:8, range 150-350 bar (2175-5075 psi), std setting 280 bar (4060 psi) @ 5 l/min (1.32 US gpm)

TYPE: **VODL/N1516/CS/12F2/G5.p0.PR/ac** CODE: 1557032102

DESCRIPTION: Steel body, zero differential pilot ratio, range 50-350 bar (725-5075 psi), std setting 280 bar (4060 psi) @ 5 l/min (1.32 US gpm)

Load sensitive (N) configuration with SAE10 thread

Pilot ratio 1:4

TYPE: **VODL/N1516/CS/S10/G3.p4.PR/ac** CODE: 1556532200

DESCRIPTION: Steel body, range 100-210 bar (1450-3050 psi), std setting 150 bar (2175 psi) @ 5 l/min (1.32 US gpm)

TYPE: **VODL/N1516/CS/S10/G5.p4.PR/ac** CODE: 1556532201

DESCRIPTION: Steel body, range 150-350 bar (2175-5075 psi), std setting 280 bar (4060 psi) @ 5 l/min (1.32 US gpm)

TYPE: **VODL/N1516/CS/S10/G7.p4.PR/ac** CODE: 1556532202

DESCRIPTION: range 300-400 bar (2900-5800 psi), std setting 350 bar (5075 psi) @ 5 l/min (1.32 US gpm)

VODL/N1516 Complete valves (continue)

Load sensitive (N) configuration with SAE10 thread

Pilot ratio 1:8

TYPE: **VODL/N1516/CS/S10/G5.p8.PR/ac** CODE: 1556532204

DESCRIPTION: Steel body, range 150-350 bar (2175-5075 psi), std setting 280 bar (4060 psi) @ 5 l/min (1.32 US gpm)

TYPE: **VODL/N1516/CS/S10/G7.p8.PR/ac** CODE: 1556532205

DESCRIPTION: Steel body, range 200-400 bar (2900-5800 psi), std setting 350 bar (5075 psi) @ 5 l/min (1.32 US gpm)

Zero differential pilot ratio

TYPE: **VODL/N1516/CS/S10/G3.p0.PR/ac** CODE: 1556532206

DESCRIPTION: Steel body, range 50-210 bar (725-3050 psi), std setting 150 bar (2175 psi) @ 5 l/min (1.32 US gpm)

TYPE: **VODL/N1516/CS/S10/G5.p0.PR/ac** CODE: 1556532207

DESCRIPTION: Steel body, range 50-350 bar (725-5075 psi), std setting 280 bar (4060 psi) @ 5 l/min (1.32 US gpm)

TYPE: **VODL/N1516/CS/S10/G7.p0.PR/ac** CODE: 1556532208

DESCRIPTION: Steel body, range 150-400 bar (2175-5800 psi), std setting 350 bar (5075 psi) @ 5 l/min (1.32 US gpm)

Load sensitive (N) configuration with SAE10 thread and F2 flange

TYPE: **VODL/N1516/CS/S10F2/G5.p4.PR/ac** CODE: 1557032200

DESCRIPTION: Steel body, pilot ratio 1:4, range 150-350 bar (2175-5075 psi), std setting 280 bar (4060 psi) @ 5 l/min (1.32 US gpm)

TYPE: **VODL/N1516/CS/S10F2/G5.p8.PR/ac** CODE: 1557032201

DESCRIPTION: Steel body, pilot ratio 1:8, range 150-350 bar (2175-5075 psi), std setting 280 bar (4060 psi) @ 5 l/min (1.32 US gpm)

TYPE: **VODL/N1516/CS/S10F2/G5.p0.PR/ac** CODE: 1557032202

DESCRIPTION: Steel body, zero differential pilot ratio, range 50-350 bar (725-5075 psi), std setting 280 bar (4060 psi) @ 5 l/min (1.32 US gpm)

1 Pressure setting spring

TYPE	CODE	DESCRIPTION
For 1:4 and zero differential pilot ratio		
3	3MOL316450	For range 100-210 bar (725-3050 psi)
5	3MOL316430	For range 150-350 bar (2175-5075 psi)
7	3MOL316411	For range 200-400 bar (2900-5800 psi)

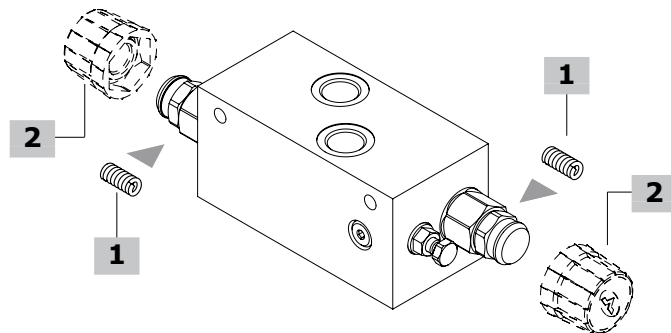
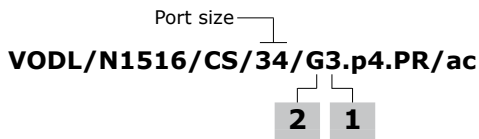
For 1:8 pilot ratio

5	3MOL316450	For range 150-350 bar (2175-5075 psi)
7	3MOL316430	For range 200-400 bar (2900-5800 psi)

2 Antitampering cap

TYPE	CODE	DESCRIPTION
G	-	Screw setting
Z	4COP140311	Antitampering cap

Ordering codes and description composition



VODL/N1516 Complete valves

Load sensitive (N) configuration with G3/4 thread

TYPE: **VODL/N1516/CS/34/G5.p4.PR/ac** CODE: 1556542100
DESCRIPTION: Steel body, pilot ratio 1:4, range 150-350 bar (2175-5075 psi), std setting 280 bar (4060 psi) @ 5 l/min (1.32 US gpm)
TYPE: **VODL/N1516/CS/34/G5.p8.PR/ac** CODE: 1556542101
DESCRIPTION: Steel body, pilot ratio 1:8, range 150-350 bar (2175-5075 psi), std setting 280 bar (4060 psi) @ 5 l/min (1.32 US gpm)
TYPE: **VODL/N1516/CS/34/G5.p0.PR/ac** CODE: 1556542102
DESCRIPTION: Steel body, zero differential pilot ratio, range 50-350 bar (725-5075 psi), std setting 280 bar (4060 psi) @ 5 l/min (1.32 US gpm)

Load sensitive (N) configuration with G3/4 thread and F2 flange

TYPE: **VODL/N1516/CS/34F2/G5.p4.PR/ac** CODE: 1557042100
DESCRIPTION: Steel body, pilot ratio 1:4, range 150-350 bar (2175-5075 psi), std setting 280 bar (4060 psi) @ 5 l/min (1.32 US gpm)
TYPE: **VODL/N1516/CS/34F2/G5.p8.PR/ac** CODE: 1557042101
DESCRIPTION: Steel body, pilot ratio 1:8, range 150-350 bar (2175-5075 psi), std setting 280 bar (4060 psi) @ 5 l/min (1.32 US gpm)
TYPE: **VODL/N1516/CS/34F2/G5.p0.PR/ac** CODE: 1557042102
DESCRIPTION: Steel body, zero differential pilot ratio, range 50-350 bar (725-5075 psi), std setting 280 bar (4060 psi) @ 5 l/min (1.32 US gpm)
For other configurations please contact our Sales Dpt.

VODL/N1516 Complete valves

Load sensitive (N) configuration with SAE12 thread

TYPE: **VODL/N1516/CS/S12/G5.p4.PR/ac** CODE: 1556542200
DESCRIPTION: Steel body, pilot ratio 1:4, range 150-350 bar (2175-5075 psi), std setting 280 bar (4060 psi) @ 5 l/min (1.32 US gpm)
TYPE: **VODL/N1516/CS/S12/G5.p8.PR/ac** CODE: 1556542201
DESCRIPTION: Steel body, pilot ratio 1:8, range 150-350 bar (2175-5075 psi), std setting 280 bar (4060 psi) @ 5 l/min (1.32 US gpm)
TYPE: **VODL/N1516/CS/S12/G5.p0.PR/ac** CODE: 1556542202
DESCRIPTION: Steel body, zero differential pilot ratio, range 50-350 bar (725-5075 psi), std setting 280 bar (4060 psi) @ 5 l/min (1.32 US gpm)

Load sensitive (N) configuration with SAE12 thread and F2 flange

TYPE: **VODL/N1516/CS/S12F2/G5.p4.PR/ac** CODE: 1557042200
DESCRIPTION: Steel body, pilot ratio 1:4, range 150-350 bar (2175-5075 psi), std setting 280 bar (4060 psi) @ 5 l/min (1.32 US gpm)
TYPE: **VODL/N1516/CS/S12F2/G5.p8.PR/ac** CODE: 1557042201
DESCRIPTION: Steel body, pilot ratio 1:8, range 150-350 bar (2175-5075 psi), std setting 280 bar (4060 psi) @ 5 l/min (1.32 US gpm)
TYPE: **VODL/N1516/CS/S12F2/G5.p0.PR/ac** CODE: 1557042202
DESCRIPTION: Steel body, zero differential pilot ratio, range 50-350 bar (725-5075 psi), std setting 280 bar (4060 psi) @ 5 l/min (1.32 US gpm)
For other configurations please contact our Sales Dpt.

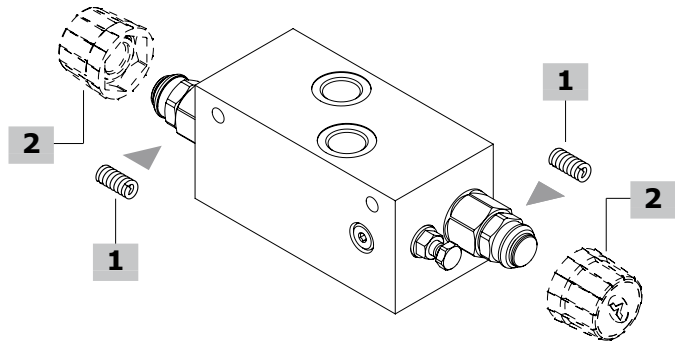
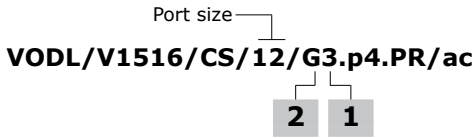
1 Pressure setting spring

TYPE	CODE	DESCRIPTION
For 1:4 and zero differential pilot ratio		
3	3MOL316450	For range 100-210 bar (1450-3050 psi)
5	3MOL316430	For range 150-350 bar (2175-5075 psi)
7	3MOL316411	For range 200-400 bar (2900-5800 psi)
For 1:8 pilot ratio		
5	3MOL316450	For range 150-350 bar (2175-5075 psi)
7	3MOL316430	For range 200-400 bar (2900-5800 psi)

2 Antitampering cap

TYPE	CODE	DESCRIPTION
G	-	Screw setting
Z	4COP140311	Antitampering cap

Ordering codes and description composition



VODL/V1516 Complete valves

Vented (V) configuration with G1/2 thread

Pilot ratio 1:4

TYPE: **VODL/V1516/CS/12/G3.p4.PR/ac** CODE: 1556632100

DESCRIPTION: Steel body, range 100-210 bar (1450-3050 psi), std setting 150 bar (2175 psi) @ 5 l/min (1.32 US gpm)

TYPE: **VODL/V1516/CS/12/G5.p4.PR/ac** CODE: 1556632101

DESCRIPTION: Steel body, range 150-350 bar (2175-5075 psi), std setting 280 bar (4060 psi) @ 5 l/min (1.32 US gpm)

TYPE: **VODL/V1516/CS/12/G7.p4.PR/ac** CODE: 1556632102

DESCRIPTION: Steel body, range 200-400 bar (2900-5800 psi), std setting 350 bar (5075 psi) @ 5 l/min (1.32 US gpm)

Pilot ratio 1:8

TYPE: **VODL/V1516/CS/12/G5.p8.PR/ac** CODE: 1556632104

DESCRIPTION: Steel body, range 150-350 bar (2175-5075 psi), std setting 280 bar (4060 psi) @ 5 l/min (1.32 US gpm)

TYPE: **VODL/N1516/CS/12/G7.p8.PR/ac** CODE: 1556532105

DESCRIPTION: Steel body, range 200-400 bar (2900-5800 psi), std setting 350 bar (5075 psi) @ 5 l/min (1.32 US gpm)

Zero differential pilot ratio

TYPE: **VODL/V1516/CS/12/G3.p0.PR/ac** CODE: 1556632106

DESCRIPTION: Steel body, range 50-210 bar (725-3050 psi), std setting 150 bar (2175 psi) @ 5 l/min (1.32 US gpm)

TYPE: **VODL/V1516/CS/12/G5.p0.PR/ac** CODE: 1556632107

DESCRIPTION: Steel body, range 50-350 bar (725-5075 psi), std setting 280 bar (4060 psi) @ 5 l/min (1.32 US gpm)

TYPE: **VODL/V1516/CS/12/G7.p0.PR/ac** CODE: 1556632108

DESCRIPTION: Steel body, range 150-400 bar (2175-5800 psi), std setting 350 bar (5075 psi) @ 5 l/min (1.32 US gpm)

Vented (V) configuration with G1/2 thread and F2 flange

TYPE: **VODL/V1516/CS/12F2/G5.p4.PR/ac** CODE: 1557132100

DESCRIPTION: Steel body, pilot ratio 1:4, range 150-350 bar (2175-5075 psi), std setting 280 bar (4060 psi) @ 5 l/min (1.32 US gpm)

TYPE: **VODL/V1516/CS/12F2/G5.p8.PR/ac** CODE: 1557132101

DESCRIPTION: Steel body, pilot ratio 1:8, range 150-350 bar (2175-5075 psi), std setting 280 bar (4060 psi) @ 5 l/min (1.32 US gpm)

TYPE: **VODL/V1516/CS/12F2/G5.p0.PR/ac** CODE: 1557132102

DESCRIPTION: Steel body, zero differential pilot ratio, range 50-350 bar (725-5075 psi), std setting 280 bar (4060 psi) @ 5 l/min (1.32 US gpm)

Vented (V) configuration with SAE10 thread

Pilot ratio 1:4

TYPE: **VODL/V1516/CS/S10/G3.p4.PR/ac** CODE: 1556632200

DESCRIPTION: Steel body, range 100-210 bar (725-3050 psi), std setting 150 bar (2175 psi) @ 5 l/min (1.32 US gpm)

TYPE: **VODL/V1516/CS/S10/G5.p4.PR/ac** CODE: 1556632201

DESCRIPTION: Steel body, range 150-350 bar (2175-5075 psi), std setting 280 bar (4060 psi) @ 5 l/min (1.32 US gpm)

TYPE: **VODL/V1516/CS/S10/G7.p4.PR/ac** CODE: 1556632202

DESCRIPTION: Steel body, range 200-400 bar (2900-5800 psi), std setting 350 bar (5075 psi) @ 5 l/min (1.32 US gpm)

VODL/V1516 Complete valves

Vented (V) configuration with SAE10 thread

Pilot ratio 1:8

TYPE: **VODL/V1516/CS/S10/G5.p8.PR/ac** CODE: 1556632204

DESCRIPTION: Steel body, range 150-350 bar (2175-5075 psi), std setting 280 bar (4060 psi) @ 5 l/min (1.32 US gpm)

TYPE: **VODL/V1516/CS/S10/G7.p8.PR/ac** CODE: 1556632205

DESCRIPTION: Steel body, range 200-400 bar (2900-5800 psi), std setting 350 bar (5075 psi) @ 5 l/min (1.32 US gpm)

Zero differential pilot ratio

TYPE: **VODL/V1516/CS/S10/G3.p0.PR/ac** CODE: 1556632206

DESCRIPTION: Steel body, range 50-210 bar (725-3050 psi), std setting 150 bar (2175 psi) @ 5 l/min (1.32 US gpm)

TYPE: **VODL/V1516/CS/S10/G5.p0.PR/ac** CODE: 1556632207

DESCRIPTION: Steel body, range 50-350 bar (725-5075 psi), std setting 280 bar (4060 psi) @ 5 l/min (1.32 US gpm)

TYPE: **VODL/V1516/CS/S10/G7.p0.PR/ac** CODE: 1556632208

DESCRIPTION: Steel body, range 150-400 bar (2175-5800 psi), std setting 350 bar (5075 psi) @ 5 l/min (1.32 US gpm)

Vented (V) configuration with SAE10 thread and F2 flange

TYPE: **VODL/V1516/CS/S10F2/G5.p4.PR/ac** CODE: 1557132200

DESCRIPTION: Steel body, pilot ratio 1:4, range 150-350 bar (2175-5075 psi), std setting 280 bar (4060 psi) @ 5 l/min (1.32 US gpm)

TYPE: **VODL/V1516/CS/S10F2/G5.p8.PR/ac** CODE: 1557132201

DESCRIPTION: Steel body, pilot ratio 1:8, range 150-350 bar (2175-5075 psi), std setting 280 bar (4060 psi) @ 5 l/min (1.32 US gpm)

TYPE: **VODL/V1516/CS/S10F2/G5.p0.PR/ac** CODE: 1557132202

DESCRIPTION: Steel body, zero differential pilot ratio, range 50-350 bar (725-5075 psi), std setting 280 bar (4060 psi) @ 5 l/min (1.32 US gpm)

For other configurations please contact our Sales Dpt.

1 Pressure setting spring

TYPE	CODE	DESCRIPTION
3	3MOL316450	For range 100-210 bar (725-3050 psi)
5	3MOL316430	For range 150-350 bar (2175-5075 psi)
7	3MOL316411	For range 200-400 bar (2175-5800 psi)

For 1:4 and zero differential pilot ratio

3	3MOL316450	For range 100-210 bar (725-3050 psi)
5	3MOL316430	For range 150-350 bar (2175-5075 psi)
7	3MOL316411	For range 200-400 bar (2175-5800 psi)

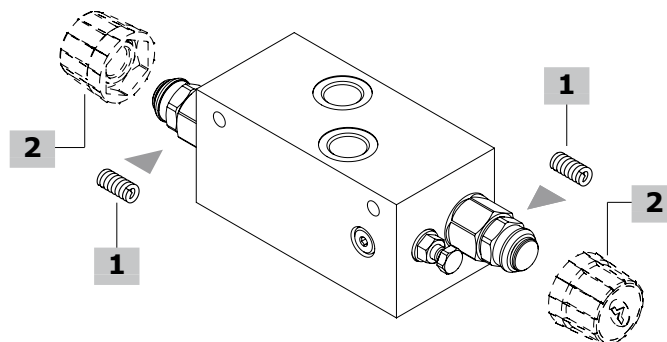
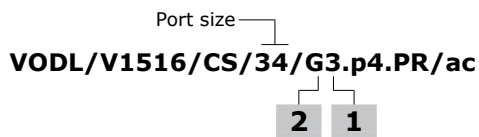
For 1:8 pilot ratio

5	3MOL316450	For range 150-350 bar (2175-5075 psi)
7	3MOL316430	For range 200-400 bar (2900-5800 psi)

2 Antitampering cap

TYPE	CODE	DESCRIPTION
G	-	Screw setting
Z	4COP140311	Antitampering cap

Ordering codes and description composition



VODL/V1516 Complete valves

Vented (V) configuration with G3/4 thread

TYPE: **VODL/V1516/CS/34/G5.p4.PR/ac** CODE: 1556642100
DESCRIPTION: Steel body, pilot ratio 1:4, range 150-350 bar (2175-5075 psi), std setting 280 bar (4060 psi) @ 5 l/min (1.32 US gpm)
TYPE: **VODL/V1516/CS/34/G5.p8.PR/ac** CODE: 1556642101
DESCRIPTION: Steel body, pilot ratio 1:8, range 150-350 bar (2175-5075 psi), std setting 280 bar (4060 psi) @ 5 l/min (1.32 US gpm)
TYPE: **VODL/V1516/CS/34/G5.p0.PR/ac** CODE: 1556642102
DESCRIPTION: Steel body, zero differential pilot ratio, range 150-350 bar (2175-5075 psi), std setting 280 bar (4060 psi) @ 5 l/min (1.32 US gpm)

Vented (V) configuration with G3/4 thread and F2 flange

TYPE: **VODL/V1516/CS/34F2/G5.p4.PR/ac** CODE: 1557142100
DESCRIPTION: Steel body, pilot ratio 1:4, range 150-350 bar (2175-5075 psi), std setting 280 bar (4060 psi) @ 5 l/min (1.32 US gpm)
TYPE: **VODL/V1516/CS/34F2/G5.p8.PR/ac** CODE: 1557142101
DESCRIPTION: Steel body, pilot ratio 1:8, range 150-350 bar (2175-5075 psi), std setting 280 bar (4060 psi) @ 5 l/min (1.32 US gpm)
TYPE: **VODL/V1516/CS/34F2/G5.p0.PR/ac** CODE: 1557142102
DESCRIPTION: Steel body, zero differential pilot ratio, range 50-350 bar (725-5075 psi), std setting 280 bar (4060 psi) @ 5 l/min (1.32 US gpm)

For other configurations please contact our Sales Dpt.

VODL/V1516 Complete valves

Vented (V) configuration with SAE12 thread

TYPE: **VODL/V1516/CS/S12/G5.p4.PR/ac** CODE: 1556642200
DESCRIPTION: Steel body, pilot ratio 1:4, range 150-350 bar (2175-5075 psi), std setting 280 bar (4060 psi) @ 5 l/min (1.32 US gpm)
TYPE: **VODL/V1516/CS/S12/G5.p8.PR/ac** CODE: 1556642201
DESCRIPTION: Steel body, pilot ratio 1:8, range 150-350 bar (2175-5075 psi), std setting 280 bar (4060 psi) @ 5 l/min (1.32 US gpm)
TYPE: **VODL/V1516/CS/S12/G5.p0.PR/ac** CODE: 1556642202
DESCRIPTION: Steel body, zero differential pilot ratio, range 50-350 bar (725-5075 psi), std setting 280 bar (4060 psi) @ 5 l/min (1.32 US gpm)

Vented (V) configuration with SAE12 thread and F2 flange

TYPE: **VODL/V1516/CS/S12F2/G5.p4.PR/ac** CODE: 1557142200
DESCRIPTION: Steel body, pilot ratio 1:4, range 150-350 bar (2175-5075 psi), std setting 280 bar (4060 psi) @ 5 l/min (1.32 US gpm)
TYPE: **VODL/V1516/CS/S12F2/G5.p8.PR/ac** CODE: 1557142201
DESCRIPTION: Steel body, pilot ratio 1:8, range 150-350 bar (2175-5075 psi), std setting 280 bar (4060 psi) @ 5 l/min (1.32 US gpm)
TYPE: **VODL/V1516/CS/S12F2/G5.p0.PR/ac** CODE: 1557142202
DESCRIPTION: Steel body, zero differential pilot ratio, range 50-350 bar (725-5075 psi), std setting 280 bar (4060 psi) @ 5 l/min (1.32 US gpm)

For other configurations please contact our Sales Dpt.

1 Pressure setting spring

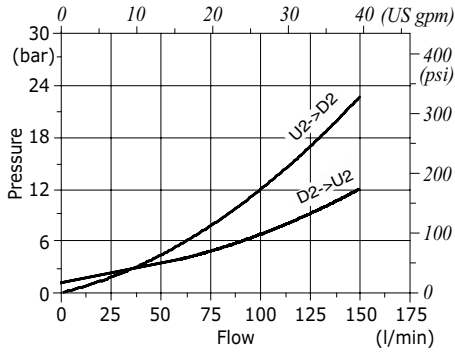
TYPE	CODE	DESCRIPTION
For 1:4 and zero differential pilot ratio		
3	3MOL316450	For range 100-210 bar (1450-3050 psi)
5	3MOL316430	For range 150-350 bar (2175-5075 psi)
7	3MOL316411	For range 200-400 bar (2900-5800 psi)
For 1:8 pilot ratio		
5	3MOL316450	For range 150-350 bar (2175-5075 psi)
7	3MOL316430	For range 200-400 bar (2900-5800 psi)

2 Antitampering cap

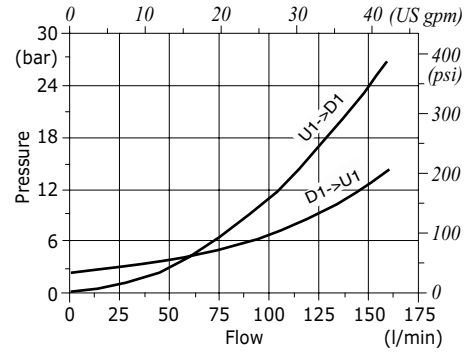
TYPE	CODE	DESCRIPTION
G	-	Screw setting
Z	4COP140311	Antitampering cap

Rating diagrams

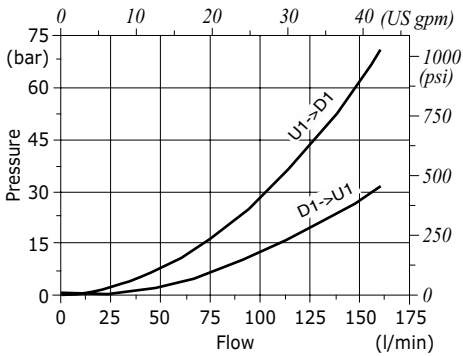
VODL/(N-V) 1516/CS (12-34) pressure drop vs. flow from D2->U2 and U2->D2



VODL/(N-V) 1516/CS (12-34) pressure drop vs. flow from D1->U1 and U1->D1 pilot ratio 1:4



VODL/(N-V) 1516/CS (12-34) pressure drop vs. flow from D1->U1 and U1->D1 pilot ratio 1:8



VODL/(N-V) 1516/CS (12-34) pressure drop vs. flow from D1->U1 and U1->D1 zero differential pilot ratio

