



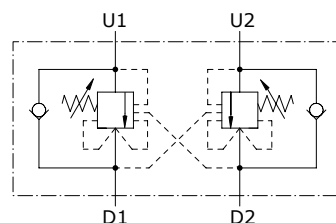
Type VODL/CC counterbalance valves

- Double acting
- Relief compensated

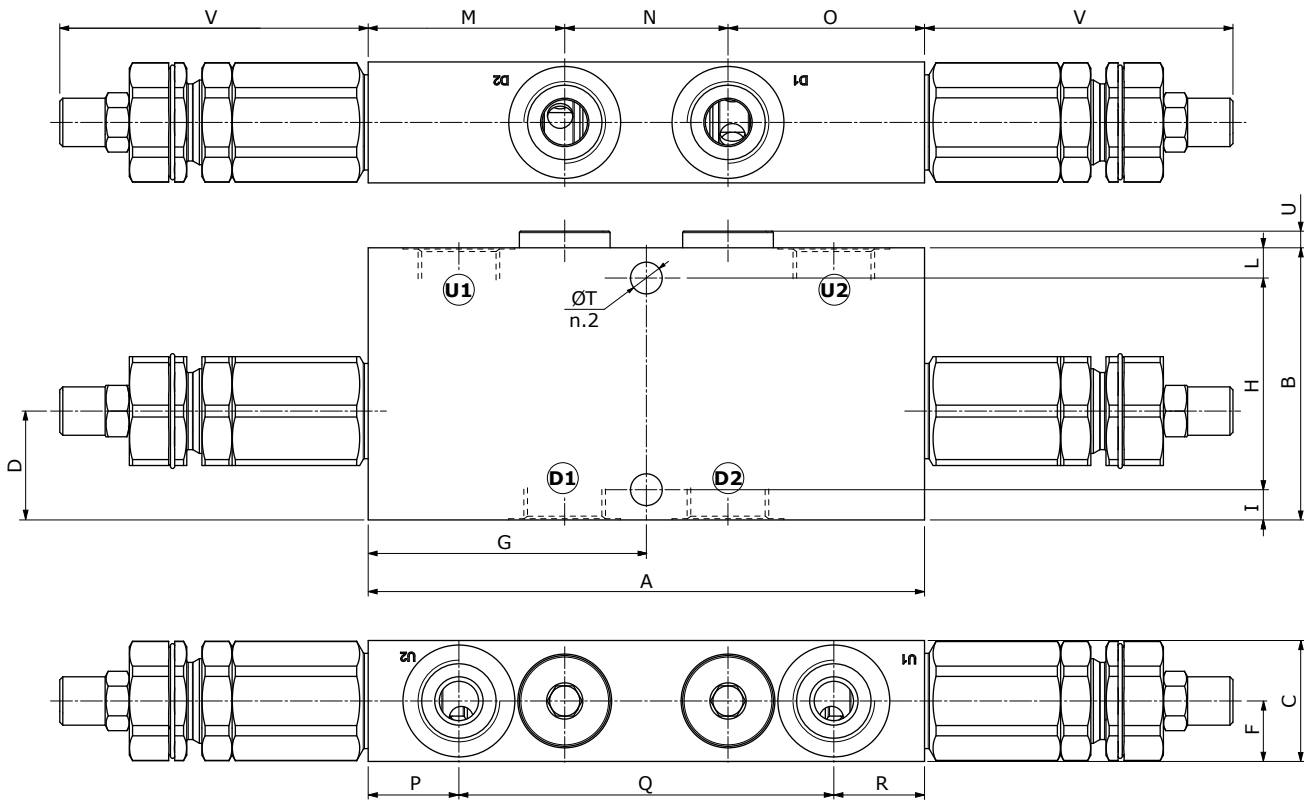
Technical specifications and diagrams are measured with mineral oil of 46 cSt viscosity at 40°C (104°F) temperature.

	VODL/CC 38	VODL/CC 12	VODL/CC 34	VODL/CC 100	
Nominal flow	35 l/min (9.2 US gpm)	70 l/min (18.5 US gpm)	100 l/min (26.4 US gpm)	180 l/min (47.6 US gpm)	
Max. pressure	Aluminium body = 210 bar (3050 psi) Steel body = 350 bar (5100 psi)				
Oil leakage	0.25 cm ³ /min - 0.015 in ³ /min. (5 drops) at 210 bar - 3050 psi at 80% of pressure setting				
Fluid	mineral based oil				
Viscosity	from 10 to 200 cSt				
Max. level of contamination	18/16/13 ISO4406				
Fluid temperature	with NBR seals from -20°C (-4°F) to 80°C (176°F)				
Environmental temp. for working conditions	from -40°C (-40°F) to 100°C (212°F)				
Weight	aluminium	1.45 kg (3.20 lb)	2.00 kg (4.41 lb)	3.08 kg (6.79 lb)	4.91 kg (10.82 lb)
	steel	2.62 kg (5.78 lb)	3.26 kg (7.19 lb)	5.29 kg (11.66 lb)	9.76 kg (21.52 lb)

NOTE - For different conditions, please contact Walvoil Sales Dpt.



Dimensions



Dimensions are in mm-in

Valve type	A	B	C	F	G	H	I	L	M	N	O	P	Q	R	ØT	U	V	D1	D2	U1	U2
VODL 38/CC	141 5.55	65 2.56	30 1.18	15 0.59	70.5 2.76	40 1.57	8 0.315	17 0.67	51 2.01	39 1.54	51 2.01	22 0.87	97 3.82	22 0.87	8.5 0.335	4.5 0.177	92.5 3.64	G3/8		G3/8	
VODL 12/CC	149 5.87	70 2.76	34.5 1.36	17.25 0.68	74.5 2.93	48 1.89	8 0.315	14 0.551	50.5 1.99	48 1.89	50.5 1.99	21.5 0.85	106 4.17	21.5 0.85	8.5 0.335	4.5 0.177	100.5 1.99	G1/2		G1/2	
VODL 34/CC	184 7.25	90 3.54	40 1.57	20 0.79	92 3.62	70 2.76	10 0.394	10 0.394	65 2.56	54 2.13	65 2.56	30 1.18	124 4.88	30 1.18	10.5 0.413	5.5 0.217	102 4.02	G3/4		G3/4	
VODL 100/CC	218 8.58	100 3.94	60 2.36	30 1.18	109 4.29	80 3.15	10 0.394	10 0.394	76 2.99	66 2.60	76 2.99	30 1.18	158 6.22	30 1.18	10.5 0.413	12.5 0.492	101 3.98	G1"		G1"	

Ordering codes and description

VODL/CC complete valves

TYPE: **VODL/CC 38/TR.S.p4** CODE: 1559421100
 DESCRIPTION: Aluminium body, G3/8 ports, pilot ratio 1:4, range 50-350 bar (725-5075 psi), std setting 280 bar (4060 psi) @ 5 l/min (1.32 US gpm)

TYPE: **VODL/CC 12/TR.S.p7** CODE: 1559431100
 DESCRIPTION: Aluminium body, G1/2 ports, pilot ratio 1:7, range 50-350 bar (725-5075 psi), std setting 280 bar (4060 psi) @ 5 l/min (1.32 US gpm)

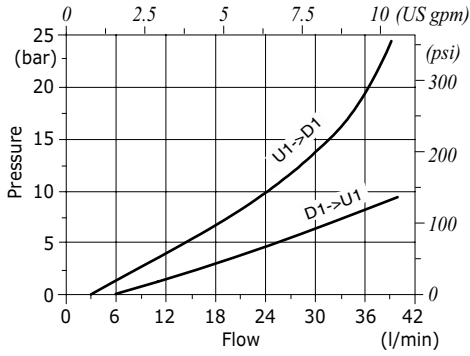
TYPE: **VODL/CC 34/TR.S.p7** CODE: 1559441100
 DESCRIPTION: Aluminium body, G3/4 ports, pilot ratio 1:7, range 50-350 bar (725-5075 psi), std setting 280 bar (4060 psi) @ 5 l/min (1.32 US gpm)

TYPE: **VODL/CC 100/TR.S.p7** CODE: 1559451100
 DESCRIPTION: Aluminium body, G1" ports, pilot ratio 1:7, range 50-350 bar (725-5075 psi), std setting 280 bar (4060 psi) @ 5 l/min (1.32 US gpm)

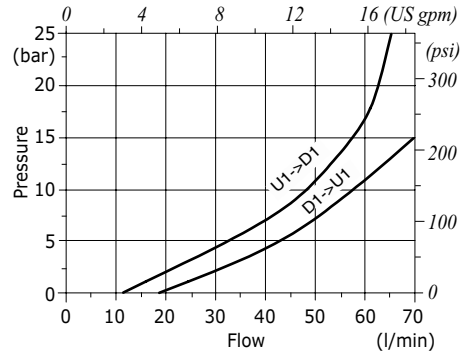
For other configurations and steel body, please contact our Sales Dept.

Rating diagrams

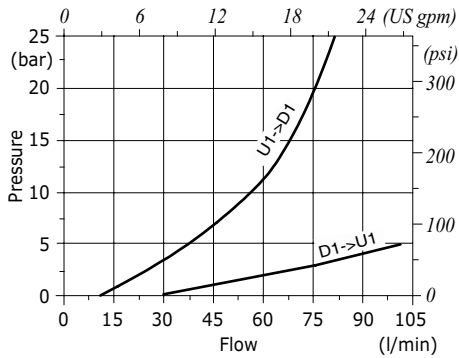
VODL/CC 38 pressure drop vs. flow from D1->U1 and U1->D1



VODL/CC 12 pressure drop vs. flow from D1->U1 and U1->D1



VODL/CC 34 pressure drop vs. flow from D1->U1 and U1->D1



VODL/CC 100 pressure drop vs. flow from D1->U1 and U1->D1

