



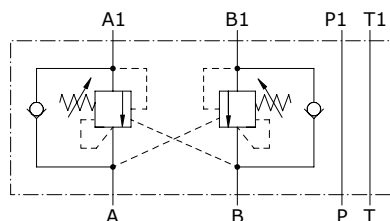
Type VODL/ML counterbalance valves

- Double acting
- Load sensitive
- Flange assembling according to ISO 4401:2005 (CETOP)

Technical specifications and diagrams are measured with mineral oil of 46 cSt viscosity at 40°C (104°F) temperature.

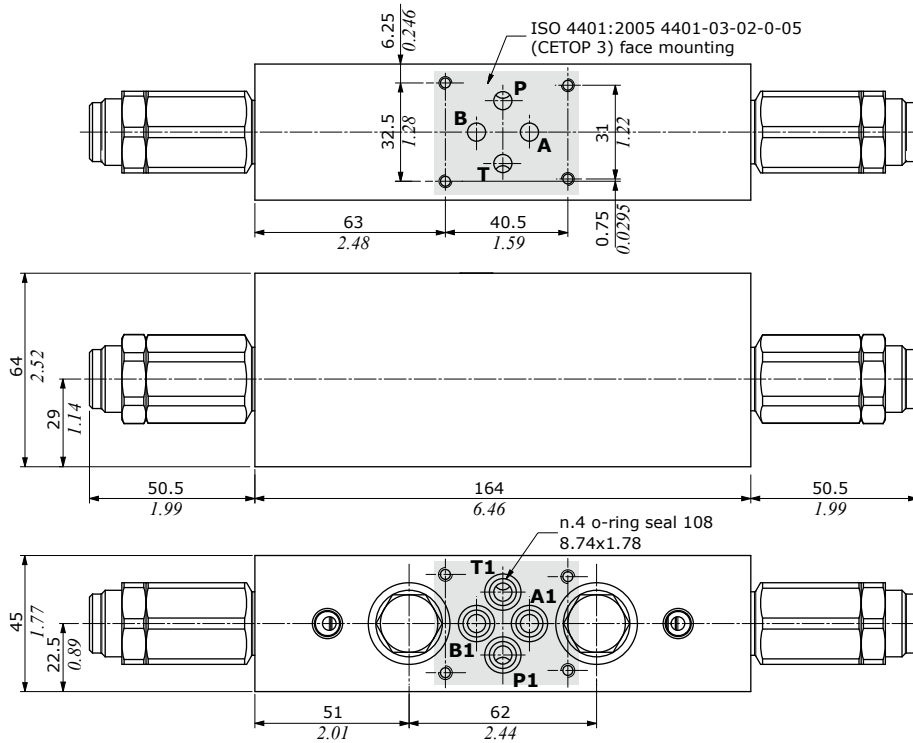
	VODL/ML 6-38	VODL/ML 10-12	
Nominal flow	35 l/min (9.2 US gpm)	70 l/min (18.5 US gpm)	
Max. pressure	Aluminium body = 210 bar (3050 psi) Steel body = 350 bar (5100 psi)		
Oil leakage	0.25 cm ³ /min - 0.015 in ³ /min. (5 drops) at 210 bar - 3050 psi at 80% of pressure setting		
Fluid	mineral based oil		
Viscosity	from 10 to 200 cSt		
Max. level of contamination	18/16/13 ISO4406		
Fluid temperature	with NBR seals from -20°C (-4°F) to 80°C (176°F)		
Environmental temp. for working conditions	from -40°C (-40°F) to 100°C (212°F)		
Weight	aluminium	1.75 kg (3.86 lb)	3.25 kg (7.147 lb)
	steel	3.70 kg (8.16 lb)	7.55 kg (16.64 lb)

NOTE - For different conditions, please contact Walvoil Sales Dpt.

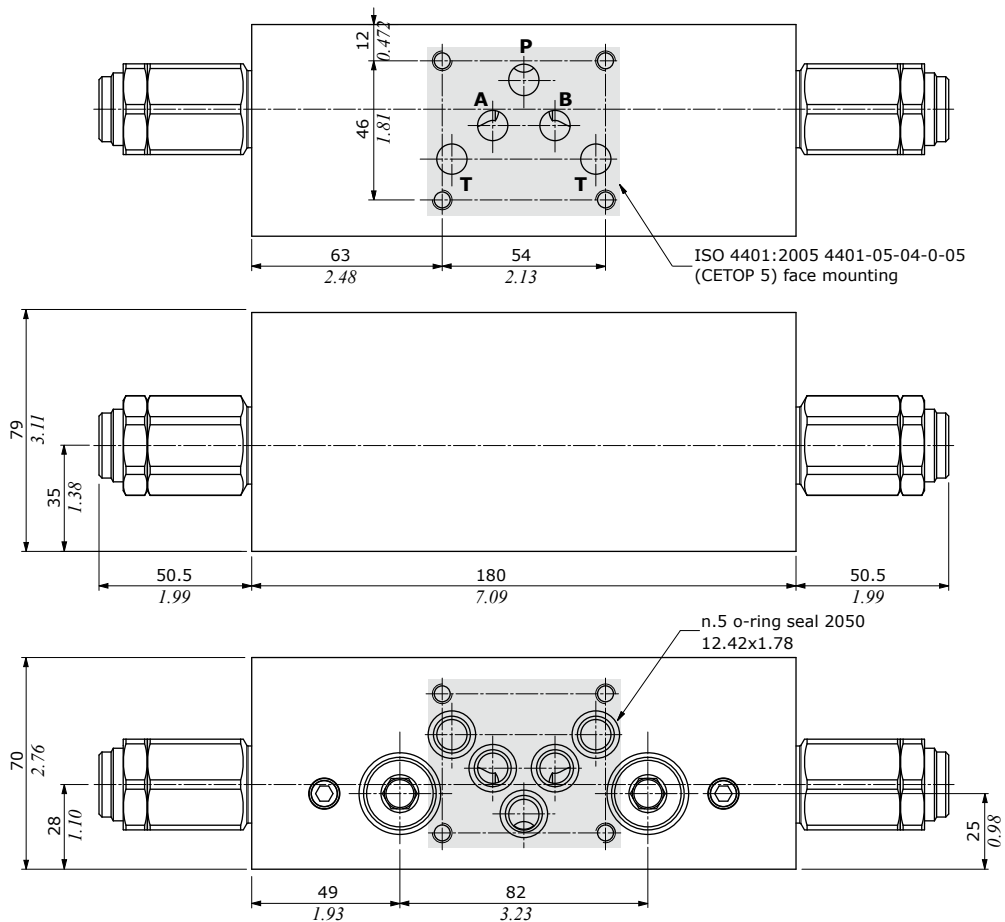


Dimensions

VODL/ML 6-38



VODL/ML 10-12

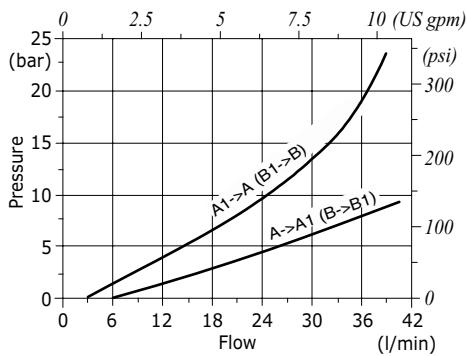


VODL/ML complete valves

TYPE: **VODL/ML 6-38/TR.S.p4** CODE: 1558021802
 DESCRIPTION: Aluminium body, CETOP 3 flange, pilot ratio 1:4, range 50-350 bar (725-5075 psi), std setting 280 bar (4060 psi) @ 5 l/min (1.32 US gpm)
 TYPE: **VODL/ML 10-12/TR.S.p7** CODE: 1518031802
 DESCRIPTION: Aluminium body, CETOP 5 flange, pilot ratio 1:7, range 50-350 bar (725-5075 psi), std setting 280 bar (4060 psi) @ 5 l/min (1.32 US gpm)
 For other configurations and steel body, please contact our Sales Dept.

Rating diagrams

VODL/ML 6-38 pressure drop vs. flow from A->A1 (B->B1) and A1->A (B1->B)



VODL/ML 10-12 pressure drop vs. flow from A->A1 (B->B1) and A1->A (B1->B)

