



Type VOSL/N1116 - VOSL/R1116 - VOSL/V1116 counterbalance valves

- Single acting
- Load Sensitive (type N)
- Relief compensated (type R)
- Vented (type V)
- Configuration with F1 and F2 flange

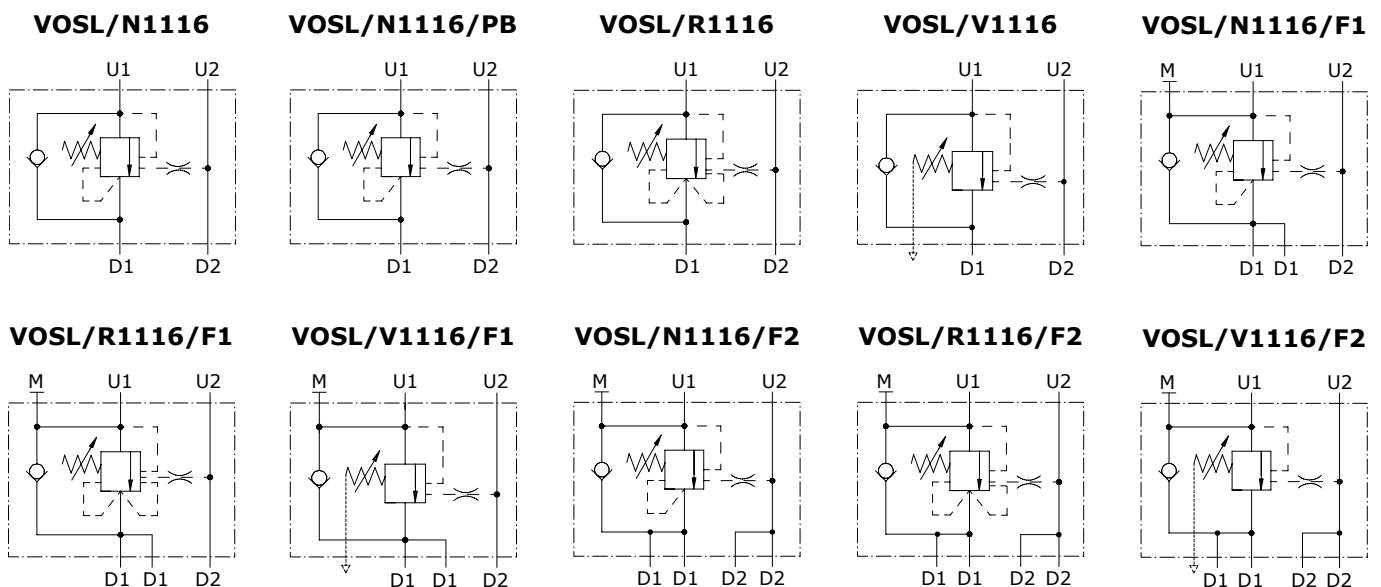
Technical specifications and diagrams are measured with mineral oil of 46 cSt viscosity at 40°C (104°F) temperature.

VOSL/N1116 (38-12) - VOSL/R1116 (38-12) - VOSL/V1116 (38-12)

Nominal flow	60 l/min (15.9 US gpm)
Max. pressure	Aluminium body = 210 bar (3050 psi) Steel body = 350 bar (5100 psi)
Oil leakage	0.25 cm ³ /min - 0.015 in ³ /min. (5 drops) at 210 bar - 3050 psi
Fluid	mineral based oil
Viscosity	from 10 to 200 cSt
Max. level of contamination	18/16/13 ISO4406
Fluid temperature	with NBR seals from -20°C (-4°F) to 80°C (176°F)
Environmental temp. for working conditions	from -40°C (-40°F) to 100°C (212°F)

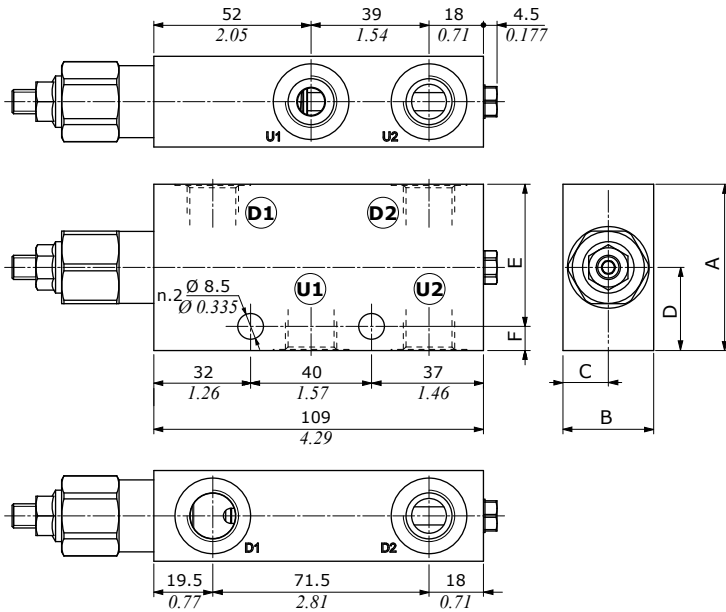
Weight	aluminium	VOSL/N1116/38: 0.59 kg (1.30 lb) - VOSL/N1116/12: 0.75 kg (1.65 lb) VOSL/R1116/38: 0.64 kg (1.41 lb) - VOSL/R1116/12: 0.82 kg (1.81 lb) VOSL/V1116/38: 0.66 kg (1.46 lb) - VOSL/V1116/12: 0.83 kg (1.83 lb)
	steel	VOSL/N1116/38: 1.31 kg (2.88 lb) - VOSL/N1116/12: 1.74 kg (3.84 lb) VOSL/N1116/38PB: - VOSL/N1116/12PB: VOSL/R1116/38: 1.34 kg (2.95 lb) - VOSL/R1116/12: 1.73 kg (3.81 lb) VOSL/V1116/38: 1.36 kg (2.88 lb) - VOSL/V1116/12: 1.78 kg (3.92 lb)

NOTE - For different conditions, please contact Walvoil Sales Dpt.

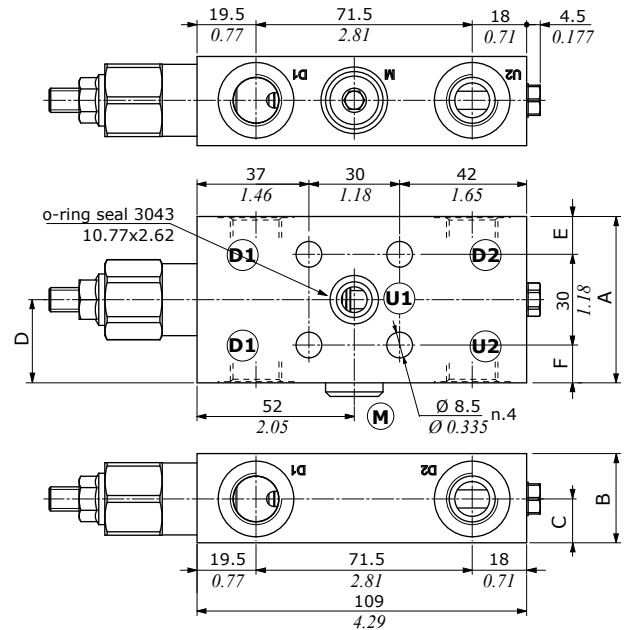


Dimensions

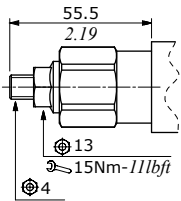
VOSL/...1116/38 - VOSL/...1116/12



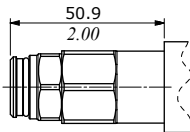
VOSL/...1116/38F1 - VOSL/...1116/12F1



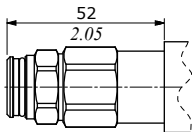
VOSL/N configuration



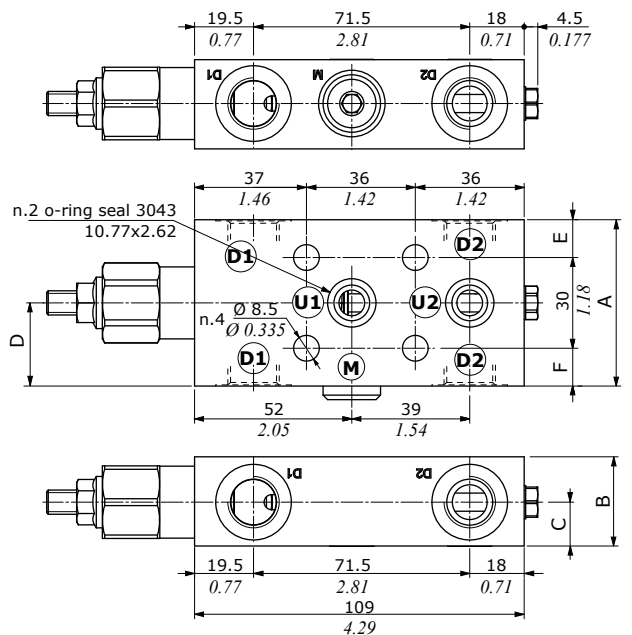
VOSL/R configuration



VOSL/V configuration



VOSL/...1116/38F2 - VOSL/...1116/12F2



Valve type	D1	D2	U1	U2	M
VOSL/...1116/38	G3/8	G3/8	G3/8	G3/8	-
VOSL/...1116/12	G1/2	G1/2	G1/2	G1/2	-
VOSL/...1116/38F1	G3/8	G3/8	Ø8.5 Ø0.335	G3/8	G1/4
VOSL/...1116/12F1	G1/2	G1/2	Ø8.5 Ø0.335	G1/2	G1/4
VOSL/...1116/38F2	G3/8	G3/8	Ø8.5 Ø0.335	Ø8.5 Ø0.335	G1/4
VOSL/...1116/12F2	G1/2	G1/2	Ø8.5 Ø0.335	Ø8.5 Ø0.335	G1/4

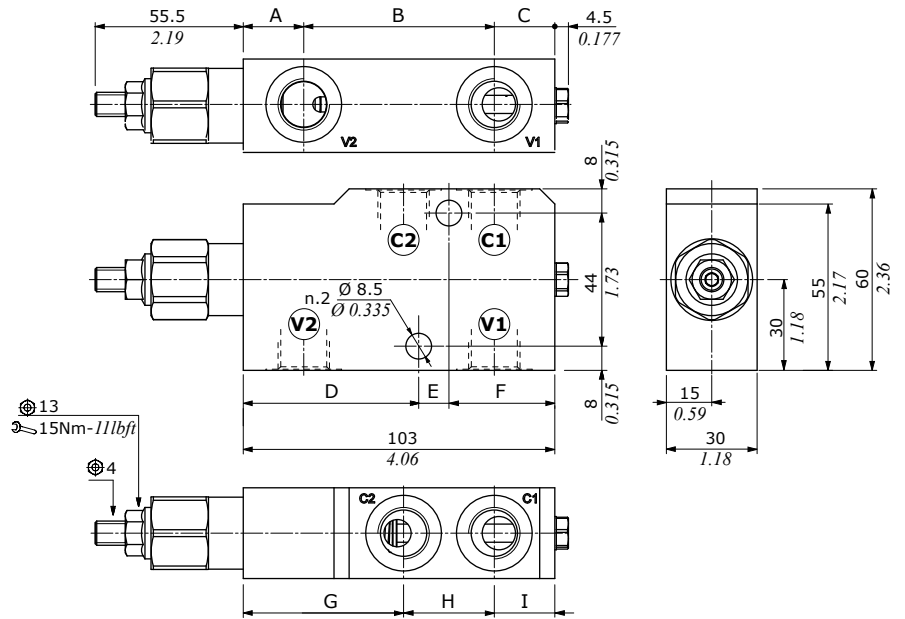
Valve type	D1	D2	U1	U2	M
VOSL/...1116/S8	SAE8	SAE8	SAE8	SAE8	-
VOSL/...1116/S10	SAE10	SAE10	SAE10	SAE10	-
VOSL/...1116/S8F1	SAE8	SAE8	Ø8.5 Ø0.335	SAE8	G1/4
VOSL/...1116/S10F1	SAE10	SAE10	Ø8.5 Ø0.335	SAE10	G1/4
VOSL/...1116/S8F2	SAE8	SAE8	Ø8.5 Ø0.335	Ø8.5 Ø0.335	G1/4
VOSL/...1116/S10F2	SAE10	SAE10	Ø8.5 Ø0.335	Ø8.5 Ø0.335	G1/4

Dimensions are in mm-in

Valve type	A	B	C	D	E	F
VOSL/...1116/38	55	30	15	27.5	47	8
VOSL/...1116/S8	2.17	1.18	0.59	1.08	1.85	0.315
VOSL/...1116/12	65	35	17.5	32.5	57	8
VOSL/...1116/S10	2.26	1.38	0.69	1.28	2.24	0.315
VOSL/...1116/38F1	55	29.5	14.5	27.5	12.5	12.5
VOSL/...1116/S8F1	2.17	1.16	0.57	1.08	0.49	0.49
VOSL/...1116/12F1	65	34.5	17	32.5	17.5	17.5
VOSL/...1116/S10F1	2.26	1.36	0.67	1.28	0.69	0.69
VOSL/...1116/38F2	55	29.5	14.5	27.5	12.5	12.5
VOSL/...1116/S8F2	2.17	1.16	0.57	1.08	0.49	0.49
VOSL/...1116/12F2	65	34.5	17	32.5	17.5	17.5
VOSL/...1116/S10F2	2.26	1.36	0.67	1.28	0.69	0.69

Ordering codes and description composition

VOSL/N1116/38PB - VOSL/N1116/12PB

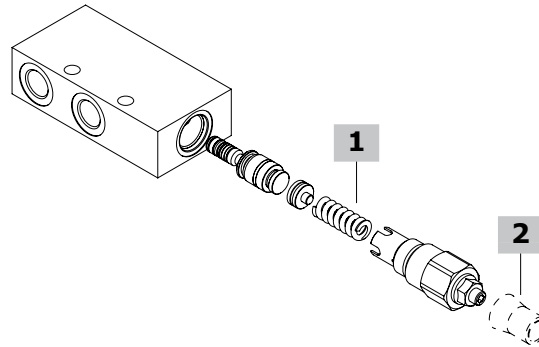
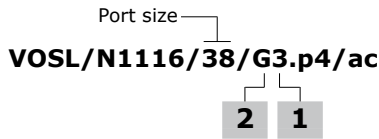


Valve type	All ports
VOSL/N1116/38PB	G3/8
VOSL/N1116/12PB	G1/2

Dimensions are in mm-in

Valve type	A	B	C	D	E	F	G	H	I
VOSL/N1116/38PB	20-0.79	63-2.48	20-0.79	58-2.28	10-0.394	35-1.38	53-2.09	30-1.18	20-0.79
VOSL/N1116/12PB	20-0.79	69-2.72	14-0.55	60.5-2.38	10-0.394	32.5-1.28	53-2.09	36-1.42	14-0.55

Ordering codes and description composition



VOSL/N1116 complete valves

Load sensitive (N) configuration with G3/8 thread

Pilot ratio 1:4

TYPE: **VOSL/N1116/38/G3.p4/ac** CODE: 1514322101
DESCRIPTION: Steel body, range 50-210 bar (725-3050 psi),
std setting 150 bar (2175 psi) @ 5 l/min (1.32 US gpm)

TYPE: **VOSL/N1116/38/G5.p4/ac** CODE: 1514322100
DESCRIPTION: Steel body, range 150-350 bar (2175-5075 psi),
std setting 280 bar (4060 psi) @ 5 l/min (1.32 US gpm)

TYPE: **VOSL/N1116/38/G5.p4** CODE: 1514321100
DESCRIPTION: Aluminium body, range 150-350 bar (2175-5075 psi),
std setting 280 bar (4060 psi) @ 5 l/min (1.32 US gpm)

Pilot ratio 1:8

TYPE: **VOSL/N1116/38/G5.p8/ac** CODE: 1514322104
DESCRIPTION: Steel body, range 180-350 bar (2610-5075 psi),
std setting 280 bar (4060 psi) @ 5 l/min (1.32 US gpm)

Zero differential pilot ratio

TYPE: **VOSL/N1116/38/G3.p0/ac** CODE: 1514322106
DESCRIPTION: Steel body, range 5-210 bar (72.5-3050 psi). Std setting
150 bar (2175 psi) @ 5 l/min (1.32 US gpm)

TYPE: **VOSL/N1116/38/G5.p0/ac** CODE: 1514322107
DESCRIPTION: Steel body, range 50-350 bar (725-5075 psi), std setting
280 bar (4060 psi) @ 5 l/min (1.32 US gpm)

Load sensitive (N) configuration with G3/8 thread and F1 flange

TYPE: **VOSL/N1116/38F1/G5.p4/ac** CODE: 1515022100
DESCRIPTION: Steel body, pilot ratio 1:4, range 150-350 bar
(2175-5075 psi), std setting 280 bar (4060 psi) @ 5 l/min (1.32 US gpm)

TYPE: **VOSL/N1116/38F1/G5.p8/ac** CODE: 1515022101
DESCRIPTION: Steel body, pilot ratio 1:8, range 180-350 bar
(2610-5075 psi), std setting 280 bar (4060 psi) @ 5 l/min (1.32 US gpm)

TYPE: **VOSL/N1116/38F1/G5.p0/ac** CODE: 1515022102
DESCRIPTION: Steel body, zero differential pilot ratio, range 50-350 bar
(725-5075 psi), std setting 280 bar (4060 psi) @ 5 l/min (1.32 US gpm)

Load sensitive (N) configuration with G3/8 thread and F2 flange

TYPE: **VOSL/N1116/38F2/G5.p4/ac** CODE: 1515022103
DESCRIPTION: Steel body, pilot ratio 1:4, range 150-350 bar
(2175-5075 psi), std setting 280 bar (4060 psi) @ 5 l/min (1.32 US gpm)

TYPE: **VOSL/N1116/38F2/G5.p8/ac** CODE: 1515022104
DESCRIPTION: Steel body, pilot ratio 1:8, range 180-350 bar
(2610-5075 psi), std setting 280 bar (4060 psi) @ 5 l/min (1.32 US gpm)

TYPE: **VOSL/N1116/38F2/G5.p0/ac** CODE: 1515022105
DESCRIPTION: Steel body, zero differential pilot ratio, range 50-350 bar
(725-5075 psi), std setting 280 bar (4060 psi) @ 5 l/min (1.32 US gpm)

VOSL/N1116 complete valves (continua)

Load sensitive (N) configuration with SAE8 thread

Pilot ratio 1:4

TYPE: **VOSL/N1116/S8/G3.p4/ac** CODE: 1514322200
DESCRIPTION: Steel body, range 50-210 bar (725-3050 psi), std setting
150 bar (2175 psi) @ 5 l/min (1.32 US gpm)

TYPE: **VOSL/N1116/S8/G5.p4/ac** CODE: 1514322201
DESCRIPTION: Steel body, range 150-350 bar (2175-5075 psi),
std setting 280 bar (4060 psi) @ 5 l/min (1.32 US gpm)

TYPE: **VOSL/N1116/S8/G5.p4** CODE: 1514321200
DESCRIPTION: Aluminium body, range 150-350 bar (2175-5075 psi),
std setting 280 bar (4060 psi) @ 5 l/min (1.32 US gpm)

Pilot ratio 1:8

TYPE: **VOSL/N1116/S8/G5.p8/ac** CODE: 1514322204
DESCRIPTION: Steel body, range 180-350 bar (2610-5075 psi),
std setting 280 bar (4060 psi) @ 5 l/min (1.32 US gpm)

Zero differential pilot ratio

TYPE: **VOSL/N1116/S8/G3.p0/ac** CODE: 1514322206
DESCRIPTION: Steel body, range 5-210 bar (72.5-3050 psi). Std setting
150 bar (2175 psi) @ 5 l/min (1.32 US gpm)

TYPE: **VOSL/N1116/S8/G5.p0/ac** CODE: 1514322207
DESCRIPTION: Steel body, range 50-350 bar (725-5075 psi), std setting
280 bar (4060 psi) @ 5 l/min (1.32 US gpm)

Load sensitive (N) configuration with SAE8 thread and F1 flange

TYPE: **VOSL/N1116/S8F1/G5.p4/ac** CODE: 1515022200
DESCRIPTION: Steel body, pilot ratio 1:4, range 150-350 bar
(2175-5075 psi), std setting 280 bar (4060 psi) @ 5 l/min (1.32 US gpm)

TYPE: **VOSL/N1116/S8F1/G5.p8/ac** CODE: 1515022201
DESCRIPTION: Steel body, pilot ratio 1:8, range 180-350 bar
(2610-5075 psi), std setting 280 bar (4060 psi) @ 5 l/min (1.32 US gpm)

TYPE: **VOSL/N1116/S8F1/G5.p0/ac** CODE: 1515022202
DESCRIPTION: Steel body, zero differential pilot ratio, range 50-350 bar
(725-5075 psi), std setting 280 bar (4060 psi) @ 5 l/min (1.32 US gpm)

Load sensitive (N) configuration with SAE8 thread and F2 flange

TYPE: **VOSL/N1116/S8F2/G5.p4/ac** CODE: 1515022203
DESCRIPTION: Steel body, pilot ratio 1:4, range 150-350 bar
(2175-5075 psi), std setting 280 bar (4060 psi) @ 5 l/min (1.32 US gpm)

TYPE: **VOSL/N1116/S8F2/G5.p8/ac** CODE: 1515022204
DESCRIPTION: Steel body, pilot ratio 1:8, range 180-350 bar
(2610-5075 psi), std setting 280 bar (4060 psi) @ 5 l/min (1.32 US gpm)

TYPE: **VOSL/N1116/S8F2/G5.p0/ac** CODE: 1515022205
DESCRIPTION: Steel body, zero differential pilot ratio, range 50-350 bar
(725-5075 psi), std setting 280 bar (4060 psi) @ 5 l/min (1.32 US gpm)

Ordering codes and description composition

VOSL/N1116 complete valves

Load sensitive (N) configuration with G1/2 thread

TYPE: **VOSL/N1116/12/G5.p4/ac** CODE: 1514332100

DESCRIPTION: Steel body, pilot ratio 1:4, range 150-350 bar (2175-5075 psi), std setting 280 bar (4060 psi) @ 5 l/min (1.32 US gpm)

TYPE: **VOSL/N1116/12/G5.p8/ac** CODE: 1514332101

DESCRIPTION: Steel body, pilot ratio 1:8, range 180-350 bar (2610-5075 psi), std setting 280 bar (4060 psi) @ 5 l/min (1.32 US gpm)

TYPE: **VOSL/N1116/12/G5.p0/ac** CODE: 1514332102

DESCRIPTION: Steel body, zero differential pilot ratio, range 50-350 bar (725-5075 psi), std setting 280 bar (4060 psi) @ 5 l/min (1.32 US gpm)

TYPE: **VOSL/N1116/12/G5.p4** CODE: 1514331100

DESCRIPTION: Aluminium body, pilot ratio 1:4 range 150-350 bar (2175-5075 psi), std setting 280 bar (4060 psi) @ 5 l/min (1.32 US gpm)

Load sensitive (N) configuration with G1/2 thread and F1 flange

TYPE: **VOSL/N1116/12F1/G5.p4/ac** CODE: 1515032100

DESCRIPTION: Steel body, pilot ratio 1:4, range 150-350 bar (2175-5075 psi), std setting 280 bar (4060 psi) @ 5 l/min (1.32 US gpm)

TYPE: **VOSL/N1116/12F1/G5.p8/ac** CODE: 1515032101

DESCRIPTION: Steel body, pilot ratio 1:8, range 180-350 bar (2610-5075 psi), std setting 280 bar (4060 psi) @ 5 l/min (1.32 US gpm)

TYPE: **VOSL/N1116/12F1/G5.p0/ac** CODE: 1515032102

DESCRIPTION: Steel body, zero differential pilot ratio, range 50-350 bar (725-5075 psi), std setting 280 bar (4060 psi) @ 5 l/min (1.32 US gpm)

Load sensitive (N) configuration with G1/2 thread and F1 flange

TYPE: **VOSL/N1116/12F2/G5.p4/ac** CODE: 1515032103

DESCRIPTION: Steel body, pilot ratio 1:4, range 150-350 bar (2175-5075 psi), std setting 280 bar (4060 psi) @ 5 l/min (1.32 US gpm)

TYPE: **VOSL/N1116/12F2/G5.p8/ac** CODE: 1515032104

DESCRIPTION: Steel body, pilot ratio 1:8. Range 180-350 bar (2610-5075 psi), std setting 280 bar (4060 psi) @ 5 l/min (1.32 US gpm)

TYPE: **VOSL/N1116/12F2/G5.p0/ac** CODE: 1515032105

DESCRIPTION: Steel body, zero differential pilot ratio, range 50-350 bar (725-5075 psi), std setting 280 bar (4060 psi) @ 5 l/min (1.32 US gpm)

For other configurations please contact our Sales Dpt.

VOSL/N1116 complete valves

Load sensitive (N) configuration with SAE10 thread

TYPE: **VOSL/N1116/S10/G5.p4/ac** CODE: 1514332200

DESCRIPTION: Steel body, pilot ratio 1:4, range 150-350 bar (2175-5075 psi), std setting 280 bar (4060 psi) @ 5 l/min (1.32 US gpm)

TYPE: **VOSL/N1116/S10/G5.p8/ac** CODE: 1514332201

DESCRIPTION: Steel body, pilot ratio 1:8, range 180-350 bar (2610-5075 psi), std setting 280 bar (4060 psi) @ 5 l/min (1.32 US gpm)

TYPE: **VOSL/N1116/S10/G5.p0/ac** CODE: 1514332202

DESCRIPTION: Steel body, zero differential pilot ratio, range 50-350 bar (725-5075 psi), std setting 280 bar (4060 psi) @ 5 l/min (1.32 US gpm)

Load sensitive (N) configuration with SAE10 thread and F1 flange

TYPE: **VOSL/N1116/S10F1/G5.p4/ac** CODE: 1515032200

DESCRIPTION: Steel body, pilot ratio 1:4, range 150-350 bar (2175-5075 psi), std setting 280 bar (4060 psi) @ 5 l/min (1.32 US gpm)

TYPE: **VOSL/N1116/S10F1/G5.p8/ac** CODE: 1515032201

DESCRIPTION: Steel body, pilot ratio 1:8, range 180-350 bar (2610-5075 psi), std setting 280 bar (4060 psi) @ 5 l/min (1.32 US gpm)

TYPE: **VOSL/N1116/S10F1/G5.p0/ac** CODE: 1515032202

DESCRIPTION: Steel body, zero differential pilot ratio, range 50-350 bar (725-5075 psi), std setting 280 bar (4060 psi) @ 5 l/min (1.32 US gpm)

Load sensitive (N) configuration with SAE10 thread and F2 flange

TYPE: **VOSL/N1116/S10F2/G5.p4/ac** CODE: 1515032203

DESCRIPTION: Steel body, pilot ratio 1:4, range 150-350 bar (2175-5075 psi), std setting 280 bar (4060 psi) @ 5 l/min (1.32 US gpm)

TYPE: **VOSL/N1116/S10F2/G5.p8/ac** CODE: 1515032204

DESCRIPTION: Steel body, pilot ratio 1:8. Range 180-350 bar (2610-5075 psi), std setting 280 bar (4060 psi) @ 5 l/min (1.32 US gpm)

TYPE: **VOSL/N1116/S10F2/G5.p0/ac** CODE: 1515032205

DESCRIPTION: Steel body, zero differential pilot ratio, range 50-350 bar (725-5075 psi), std setting 280 bar (4060 psi) @ 5 l/min (1.32 US gpm)

For other configurations please contact our Sales Dpt.

1 Pressure setting spring

TYPE CODE DESCRIPTION

For 1:4 and zero differential pilot ratio

3 3ML1133201 For range 50-210 bar (725-3050 psi)

5 3ML1133200 For range 150-350 bar (2175-5075 psi)

For 1:8 pilot ratio

5 3ML1133201 For range 180-350 bar (2610-5075 psi)

2 Setting type

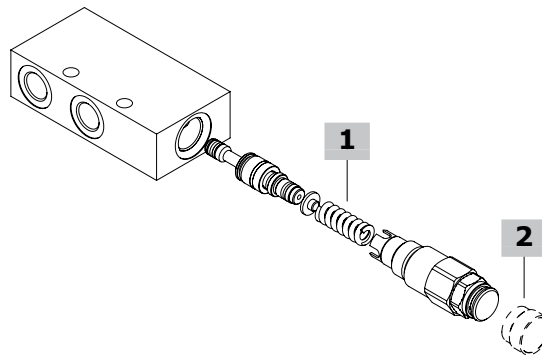
TYPE CODE DESCRIPTION

G - Screw setting

Z 4COP120420 Antitampering cap

Ordering codes and description composition

Port size
VOSL/R1116/38/G3.p4/ac
2 1



VOSL/R1116 complete valves

Relief compensated (R) configuration with G3/8 thread

Pilot ratio 1:4

TYPE: **VOSL/R1116/38/G3.p4/ac** CODE: 1514422101

DESCRIPTION: Steel body, range 50-210 bar (725-3050 psi),
std setting 150 bar (2175 psi) @ 5 l/min (1.32 US gpm)

TYPE: **VOSL/R1116/38/G5.p4/ac** CODE: 1514422100

DESCRIPTION: Steel body, range 150-350 bar (2175-5075 psi),
std setting 280 bar (4060 psi) @ 5 l/min (1.32 US gpm)

TYPE: **VOSL/R1116/38/G5.p4** CODE: 1514421100

DESCRIPTION: Aluminium body, range 150-350 bar (2175-5075 psi),
std setting 280 bar (4060 psi) @ 5 l/min (1.32 US gpm)

Pilot ratio 1:8

TYPE: **VOSL/R1116/38/G5.p8/ac** CODE: 1514422104

DESCRIPTION: Steel body, range 180-350 bar (2610-5075 psi),
std setting 280 bar (4060 psi) @ 5 l/min (1.32 US gpm)

Zero differential pilot ratio

TYPE: **VOSL/R1116/38/G3.p0/ac** CODE: 1514422106

DESCRIPTION: Steel body, range 5-210 bar (72.5-3050 psi), std setting
150 bar (2175 psi) @ 5 l/min (1.32 US gpm)

TYPE: **VOSL/R1116/38/G5.p0/ac** CODE: 1514422107

DESCRIPTION: Steel body, range 50-350 bar (725-5075 psi), std setting
280 bar (4060 psi) @ 5 l/min (1.32 US gpm)

Relief compensated (R) configuration with G3/8 thread and F1 flange

TYPE: **VOSL/R1116/38F1/G5.p4/ac** CODE: 1515122100

DESCRIPTION: Steel body, pilot ratio 1:4, range 150-350 bar
(2175-5075 psi), std setting 280 bar (4060 psi) @ 5 l/min (1.32 US gpm)

TYPE: **VOSL/R1116/38F1/G5.p8/ac** CODE: 1515122101

DESCRIPTION: Steel body, pilot ratio 1:8, range 180-350 bar
(2610-5075 psi), std setting 280 bar (4060 psi) @ 5 l/min (1.32 US gpm)

TYPE: **VOSL/R1116/38F1/G5.p0/ac** CODE: 1515122102

DESCRIPTION: Steel body, zero differential pilot ratio, range 50-350 bar
(725-5075 psi), std setting 280 bar (4060 psi) @ 5 l/min (1.32 US gpm)

Relief compensated (R) configuration with G3/8 thread and F2 flange

TYPE: **VOSL/R1116/38F2/G5.p4/ac** CODE: 1515122103

DESCRIPTION: Steel body, pilot ratio 1:4, range 150-350 bar
(2175-5075 psi), std setting 280 bar (4060 psi) @ 5 l/min (1.32 US gpm)

TYPE: **VOSL/R1116/38F2/G5.p8/ac** CODE: 1515122104

DESCRIPTION: Steel body, pilot ratio 1:8, range 180-350 bar
(2610-5075 psi), std setting 280 bar (4060 psi) @ 5 l/min (1.32 US gpm)

TYPE: **VOSL/R1116/38F2/G5.p0/ac** CODE: 1515122105

DESCRIPTION: Steel body, zero differential pilot ratio, range 50-350 bar
(725-5075 psi), std setting 280 bar (4060 psi) @ 5 l/min (1.32 US gpm)

VOSL/R1116 complete valves

Relief compensated (R) configuration with SAE8 thread

Pilot ratio 1:4

TYPE: **VOSL/R1116/S8/G3.p4/ac** CODE: 1514422200

DESCRIPTION: Steel body, range 50-210 bar (725-3050 psi),
std setting 150 bar (2175 psi) @ 5 l/min (1.32 US gpm)

TYPE: **VOSL/R1116/S8/G5.p4/ac** CODE: 1514422201

DESCRIPTION: Steel body, range 150-350 bar (2175-5075 psi),
std setting 280 bar (4060 psi) @ 5 l/min (1.32 US gpm)

Pilot ratio 1:8

TYPE: **VOSL/R1116/S8/G5.p8/ac** CODE: 1514422204

DESCRIPTION: Steel body, range 180-350 bar (2610-5075 psi),
std setting 280 bar (4060 psi) @ 5 l/min (1.32 US gpm)

Zero differential pilot ratio

TYPE: **VOSL/R1116/S8/G3.p0/ac** CODE: 1514422206

DESCRIPTION: Steel body, range 5-210 bar (72.5-3050 psi), std setting
150 bar (2175 psi) @ 5 l/min (1.32 US gpm)

TYPE: **VOSL/R1116/S8/G5.p0/ac** CODE: 1514422207

DESCRIPTION: Steel body, range 50-350 bar (725-5075 psi), std setting
280 bar (4060 psi) @ 5 l/min (1.32 US gpm)

Relief compensated (R) configuration with SAE8 thread and F1 flange

TYPE: **VOSL/R1116/S8F1/G5.p4/ac** CODE: 1515122200

DESCRIPTION: Steel body, pilot ratio 1:4, range 150-350 bar
(2175-5075 psi), std setting 280 bar (4060 psi) @ 5 l/min (1.32 US gpm)

TYPE: **VOSL/R1116/S8F1/G5.p8/ac** CODE: 1515122201

DESCRIPTION: Steel body, pilot ratio 1:8, range 180-350 bar
(2610-5075 psi), std setting 280 bar (4060 psi) @ 5 l/min (1.32 US gpm)

TYPE: **VOSL/R1116/S8F1/G5.p0/ac** CODE: 1515122202

DESCRIPTION: Steel body, zero differential pilot ratio, range 50-350 bar
(725-5075 psi), std setting 280 bar (4060 psi) @ 5 l/min (1.32 US gpm)

Relief compensated (R) configuration with SAE8 thread and F2 flange

TYPE: **VOSL/R1116/S8F2/G5.p4/ac** CODE: 1515122203

DESCRIPTION: Steel body, pilot ratio 1:4, range 150-350 bar
(2175-5075 psi), std setting 280 bar (4060 psi) @ 5 l/min (1.32 US gpm)

TYPE: **VOSL/R1116/S8F2/G5.p8/ac** CODE: 1515122204

DESCRIPTION: Steel body, pilot ratio 1:8, range 180-350 bar
(2610-5075 psi), std setting 280 bar (4060 psi) @ 5 l/min (1.32 US gpm)

TYPE: **VOSL/R1116/S8F2/G5.p0/ac** CODE: 1515122205

DESCRIPTION: Steel body, zero differential pilot ratio, range 50-350 bar
(725-5075 psi), std setting 280 bar (4060 psi) @ 5 l/min (1.32 US gpm)

Ordering codes and description composition

VOSL/R1116 complete valves

Relief compensated (R) configuration with G1/2 thread
 TYPE: **VOSL/R1116/12/G5.p4/ac** CODE: 1514432100
 DESCRIPTION: Steel body, pilot ratio 1:4, range 150-350 bar (2175-5075 psi), std setting 280 bar (4060 psi) @ 5 l/min (1.32 US gpm)
 TYPE: **VOSL/R1116/12/G5.p8/ac** CODE: 1514432101
 DESCRIPTION: Steel body, pilot ratio 1:8, range 180-350 bar (2610-5075 psi), std setting 280 bar (4060 psi) @ 5 l/min (1.32 US gpm)
 TYPE: **VOSL/R1116/12/G5.p0/ac** CODE: 1514432102
 DESCRIPTION: Steel body, zero differential pilot ratio, range 50-350 bar (725-5075 psi), std setting 280 bar (4060 psi) @ 5 l/min (1.32 US gpm)
 TYPE: **VOSL/R1116/12/G5.p4** CODE: 1514431100
 DESCRIPTION: Aluminium body, pilot ratio 1:4, range 150-350 bar (2175-5075 psi), std setting 280 bar (4060 psi) @ 5 l/min (1.32 US gpm)
Relief compensated (R) configuration with G1/2 thread and F1 flange
 TYPE: **VOSL/R1116/12F1/G5.p4/ac** CODE: 1515132100
 DESCRIPTION: Steel body, pilot ratio 1:4, range 150-350 bar (2175-5075 psi), std setting 280 bar (4060 psi) @ 5 l/min (1.32 US gpm)
 TYPE: **VOSL/R1116/12F1/G5.p8/ac** CODE: 1515132101
 DESCRIPTION: Steel body, pilot ratio 1:8, range 180-350 bar (2610-5075 psi), std setting 280 bar (4060 psi) @ 5 l/min (1.32 US gpm)
 TYPE: **VOSL/R1116/12F1/G5.p0/ac** CODE: 1515132102
 DESCRIPTION: Steel body, zero differential pilot ratio, range 50-350 bar (725-5075 psi), std setting 280 bar (4060 psi) @ 5 l/min (1.32 US gpm)
Relief compensated (R) configuration with G1/2 thread and F2 flange
 TYPE: **VOSL/R1116/12F2/G5.p4/ac** CODE: 1515132103
 DESCRIPTION: Steel body, pilot ratio 1:4, range 150-350 bar (2175-5075 psi), std setting 280 bar (4060 psi) @ 5 l/min (1.32 US gpm)
 TYPE: **VOSL/R1116/12F2/G5.p8/ac** CODE: 1515132104
 DESCRIPTION: Steel body, pilot ratio 1:8, range 180-350 bar (2610-5075 psi), std setting 280 bar (4060 psi) @ 5 l/min (1.32 US gpm)
 TYPE: **VOSL/R1116/12F2/G5.p0/ac** CODE: 1515132105
 DESCRIPTION: Steel body, zero differential pilot ratio, range 50-350 bar (725-5075 psi), std setting 280 bar (4060 psi) @ 5 l/min (1.32 US gpm)
 For other configurations please contact our Sales Dept.

VOSL/R1116 complete valves

Relief compensated (R) configuration with SAE10 thread
 TYPE: **VOSL/R1116/S10/G5.p4/ac** CODE: 1514432200
 DESCRIPTION: Steel body, pilot ratio 1:4, range 150-350 bar (2175-5075 psi), std setting 280 bar (4060 psi) @ 5 l/min (1.32 US gpm)
 TYPE: **VOSL/R1116/S10/G5.p8/ac** CODE: 1514432201
 DESCRIPTION: Steel body, pilot ratio 1:8, range 180-350 bar (2610-5075 psi), std setting 280 bar (4060 psi) @ 5 l/min (1.32 US gpm)
 TYPE: **VOSL/R1116/S10/G5.p0/ac** CODE: 1514432202
 DESCRIPTION: Steel body, zero differential pilot ratio, range 50-350 bar (725-5075 psi), std setting 280 bar (4060 psi) @ 5 l/min (1.32 US gpm)
 TYPE: **VOSL/R1116/S10/G5.p4** CODE: 1514431200
 DESCRIPTION: Aluminium body, pilot ratio 1:4, range 150-350 bar (2175-5075 psi), std setting 280 bar (4060 psi) @ 5 l/min (1.32 US gpm)
Relief compensated (R) configuration with SAE10 thread and F1 flange
 TYPE: **VOSL/R1116/S10F1/G5.p4/ac** CODE: 1515132200
 DESCRIPTION: Steel body, pilot ratio 1:4, range 150-350 bar (2175-5075 psi), std setting 280 bar (4060 psi) @ 5 l/min (1.32 US gpm)
 TYPE: **VOSL/R1116/S10F1/G5.p8/ac** CODE: 1515132201
 DESCRIPTION: Steel body, pilot ratio 1:8, range 180-350 bar (2610-5075 psi), std setting 280 bar (4060 psi) @ 5 l/min (1.32 US gpm)
 TYPE: **VOSL/R1116/S10F1/G5.p0/ac** CODE: 1515132202
 DESCRIPTION: Steel body, zero differential pilot ratio, range 50-350 bar (725-5075 psi), std setting 280 bar (4060 psi) @ 5 l/min (1.32 US gpm)
Relief compensated (R) configuration with SAE10 thread and F2 flange
 TYPE: **VOSL/R1116/S10F2/G5.p4/ac** CODE: 1515132203
 DESCRIPTION: Steel body, pilot ratio 1:4, range 150-350 bar (2175-5075 psi), std setting 280 bar (4060 psi) @ 5 l/min (1.32 US gpm)
 TYPE: **VOSL/R1116/S10F2/G5.p8/ac** CODE: 1515132204
 DESCRIPTION: Steel body, pilot ratio 1:8, range 180-350 bar (2610-5075 psi), std setting 280 bar (4060 psi) @ 5 l/min (1.32 US gpm)
 TYPE: **VOSL/R1116/S10F2/G5.p0/ac** CODE: 1515132205
 DESCRIPTION: Steel body, zero differential pilot ratio, range 50-350 bar (725-5075 psi), std setting 280 bar (4060 psi) @ 5 l/min (1.32 US gpm)
 For other configurations please contact our Sales Dept.

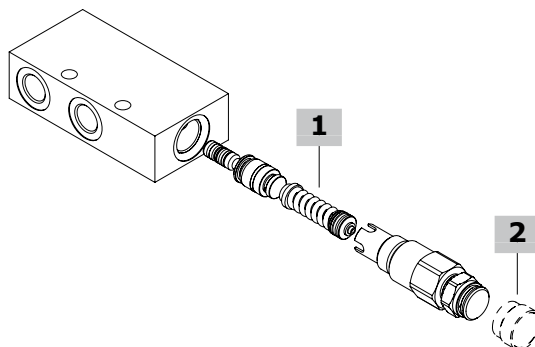
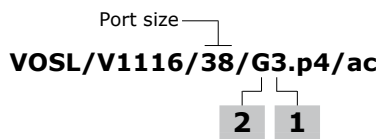
1 Pressure setting spring

TYPE	CODE	DESCRIPTION
For 1:4 and zero differential pilot ratio		
3	3ML1133201	For range 50-210 bar (725-3050 psi)
5	3ML1133200	For range 150-350 bar (2175-5075 psi)
For 1:8 pilot ratio		
5	3ML1133201	For range 180-350 bar (2610-5075 psi)

2 Setting type

TYPE	CODE	DESCRIPTION
G	-	Screw setting
Z	4COP130200	Antitampering cap

Ordering codes and description composition



VOSL/V1116 complete valves

Vented (V) configuration with G3/8 thread

Pilot ratio 1:4

TYPE: **VOSL/V1116/38/G3.p4/ac** CODE: 1514522101

DESCRIPTION: Steel body, range 50-210 bar (725-3050 psi),

std setting 150 bar (2175 psi) @ 5 l/min (1.32 US gpm)

TYPE: **VOSL/V1116/38/G5.p4/ac** CODE: 1514522100

DESCRIPTION: Steel body, range 150-350 bar (2175-5075 psi),

std setting 280 bar (4060 psi) @ 5 l/min (1.32 US gpm)

TYPE: **VOSL/V1116/38/G5.p4** CODE: 1514521100

DESCRIPTION: Aluminium body, range 150-350 bar (2175-5075 psi),

std setting 280 bar (4060 psi) @ 5 l/min (1.32 US gpm)

Pilot ratio 1:8

TYPE: **VOSL/V1116/38/G5.p8/ac** CODE: 1514522104

DESCRIPTION: Steel body, range 180-350 bar (2610-5075 psi),

std setting 280 bar (4060 psi) @ 5 l/min (1.32 US gpm)

Zero differential pilot ratio

TYPE: **VOSL/V1116/38/G3.p0/ac** CODE: 1514522106

DESCRIPTION: Steel body, range 5-210 bar (72.5-3050 psi), std setting

150 bar (2175 psi) @ 5 l/min (1.32 US gpm)

TYPE: **VOSL/V1116/38/G5.p0/ac** CODE: 1514522107

DESCRIPTION: Steel body, range 50-350 bar (725-5075 psi), std setting

280 bar (4060 psi) @ 5 l/min (1.32 US gpm)

Vented (V) configuration with G3/8 thread and F1 flange

TYPE: **VOSL/V1116/38F1/G5.p4/ac** CODE: 1515222100

DESCRIPTION: Steel body, pilot ratio 1:4, range 150-350 bar (2175-

5075 psi), std setting 280 bar (4060 psi) @ 5 l/min (1.32 US gpm)

TYPE: **VOSL/V1116/38F1/G5.p8/ac** CODE: 1515222101

DESCRIPTION: Steel body, pilot ratio 1:8, range 180-350 bar

(2610-5075 psi), std setting 280 bar (4060 psi) @ 5 l/min (1.32 US gpm)

TYPE: **VOSL/V1116/38F1/G5.p0/ac** CODE: 1515222102

DESCRIPTION: Steel body, zero differential pilot ratio, range 50-350 bar

(725-5075 psi), std setting 280 bar (4060 psi) @ 5 l/min (1.32 US gpm)

Vented (V) configuration with G3/8 thread and F2 flange

TYPE: **VOSL/V1116/38F2/G5.p4/ac** CODE: 1515222103

DESCRIPTION: Steel body, pilot ratio 1:4, range 150-350 bar

(2175-5075 psi), std setting 280 bar (4060 psi) @ 5 l/min (1.32 US gpm)

TYPE: **VOSL/V1116/38F2/G5.p8/ac** CODE: 1515222104

DESCRIPTION: Steel body, pilot ratio 1:8, range 180-350 bar (2610-

5075 psi), std setting 280 bar (4060 psi) @ 5 l/min (1.32 US gpm)

TYPE: **VOSL/V1116/38F2/G5.p0/ac** CODE: 1515222105

DESCRIPTION: Steel body, zero differential pilot ratio, range 50-350 bar

(725-5075 psi), std setting 280 bar (4060 psi) @ 5 l/min (1.32 US gpm)

VOSL/V1116 complete valves

Vented (V) configuration with SAE8 thread

Pilot ratio 1:4

TYPE: **VOSL/V1116/S8/G3.p4/ac** CODE: 1514522200

DESCRIPTION: Steel body, range 50-210 bar (725-3050 psi),

std setting 150 bar (2175 psi) @ 5 l/min (1.32 US gpm)

TYPE: **VOSL/V1116/S8/G5.p4/ac** CODE: 1514522201

DESCRIPTION: Steel body, range 150-350 bar (2175-5075 psi),

std setting 280 bar (4060 psi) @ 5 l/min (1.32 US gpm)

Pilot ratio 1:8

TYPE: **VOSL/V1116/S8/G5.p8/ac** CODE: 1514522204

DESCRIPTION: Steel body, range 180-350 bar (2610-5075 psi),

std setting 280 bar (4060 psi) @ 5 l/min (1.32 US gpm)

Zero differential pilot ratio

TYPE: **VOSL/V1116/S8/G3.p0/ac** CODE: 1514522206

DESCRIPTION: Steel body, range 5-210 bar (72.5-3050 psi), std setting

150 bar (2175 psi) @ 5 l/min (1.32 US gpm)

TYPE: **VOSL/V1116/S8/G5.p0/ac** CODE: 1514522207

DESCRIPTION: Steel body, range 50-350 bar (725-5075 psi), std setting

280 bar (4060 psi) @ 5 l/min (1.32 US gpm)

Vented (V) configuration with SAE8 thread and F1 flange

TYPE: **VOSL/V1116/S8F1/G5.p4/ac** CODE: 1515222200

DESCRIPTION: Steel body, pilot ratio 1:4, range 150-350 bar

(2175-5075 psi), std setting 280 bar (4060 psi) @ 5 l/min (1.32 US gpm)

TYPE: **VOSL/V1116/S8F1/G5.p8/ac** CODE: 1515222201

DESCRIPTION: Steel body, pilot ratio 1:8, range 180-350 bar

(2610-5075 psi), std setting 280 bar (4060 psi) @ 5 l/min (1.32 US gpm)

TYPE: **VOSL/V1116/S8F1/G5.p0/ac** CODE: 1515222202

DESCRIPTION: Steel body, zero differential pilot ratio, range 50-350 bar

(725-5075 psi), std setting 280 bar (4060 psi) @ 5 l/min (1.32 US gpm)

Vented (V) configuration with SAE8 thread and F2 flange

TYPE: **VOSL/V1116/S8F2/G5.p4/ac** CODE: 1515222203

DESCRIPTION: Steel body, pilot ratio 1:4, range 150-350 bar

(2175-5075 psi), std setting 280 bar (4060 psi) @ 5 l/min (1.32 US gpm)

TYPE: **VOSL/V1116/S8F2/G5.p8/ac** CODE: 1515222204

DESCRIPTION: Steel body, pilot ratio 1:8, range 180-350 bar

(2610-5075 psi), std setting 280 bar (4060 psi) @ 5 l/min (1.32 US gpm)

TYPE: **VOSL/V1116/S8F2/G5.p0/ac** CODE: 1515222205

DESCRIPTION: Steel body, zero differential pilot ratio, range 50-350 bar

(725-5075 psi), std setting 280 bar (4060 psi) @ 5 l/min (1.32 US gpm)

Ordering codes and description composition

VOSL/V1116 complete valves

Vented (V) configuration with G1/2 thread

TYPE: **VOSL/V1116/12/G5.p4/ac** CODE: 1514532100

DESCRIPTION: Steel body, pilot ratio 1:4, range 150-350 bar (2175-5075 psi), std setting 280 bar (4060 psi) @ 5 l/min (1.32 US gpm)

TYPE: **VOSL/V1116/12/G5.p8/ac** CODE: 1514532101

DESCRIPTION: Steel body, pilot ratio 1:8, range 180-350 bar (2610-5075 psi), std setting 280 bar (4060 psi) @ 5 l/min (1.32 US gpm)

TYPE: **VOSL/V1116/12/G5.p0/ac** CODE: 1514532102

DESCRIPTION: Steel body, zero differential pilot ratio, range 50-350 bar (725-5075 psi), std setting 280 bar (4060 psi) @ 5 l/min (1.32 US gpm)

TYPE: **VOSL/V1116/12/G5.p4** CODE: 1514531100

DESCRIPTION: Aluminium body pilot ratio 1:4, range 150-350 bar (2175-5075 psi), std setting 280 bar (4060 psi) 5 l/min (1.32 US gpm)

Vented (V) configuration with G1/2 thread and F1 flange

TYPE: **VOSL/V1116/12F1/G5.p4/ac** CODE: 1515232100

DESCRIPTION: Steel body, pilot ratio 1:4, range 150-350 bar (2175-5075 psi), std setting 280 bar (4060 psi) @ 5 l/min (1.32 US gpm)

TYPE: **VOSL/V1116/12F1/G5.p8/ac** CODE: 1515232101

DESCRIPTION: Steel body, pilot ratio 1:8, range 180-350 bar (2610-5075 psi), std setting 280 bar (4060 psi) @ 5 l/min (1.32 US gpm)

TYPE: **VOSL/V1116/12F1/G5.p0/ac** CODE: 1515232102

DESCRIPTION: Steel body, zero differential pilot ratio, range 50-350 bar (725-5075 psi), std setting 280 bar (4060 psi) @ 5 l/min (1.32 US gpm)

Vented (V) configuration with G1/2 thread and F2 flange

TYPE: **VOSL/V1116/12F2/G5.p4/ac** CODE: 1515232103

DESCRIPTION: Steel body, pilot ratio 1:4, range 150-350 bar (2175-5075 psi), std setting 280 bar (4060 psi) @ 5 l/min (1.32 US gpm)

TYPE: **VOSL/V1116/12F2/G5.p8/ac** CODE: 1515232104

DESCRIPTION: Steel body, pilot ratio 1:8, range 180-350 bar (2610-5075 psi), std setting 280 bar (4060 psi) @ 5 l/min (1.32 US gpm)

TYPE: **VOSL/V1116/12F2/G5.p0/ac** CODE: 1515232105

DESCRIPTION: Steel body, zero differential pilot ratio, range 50-350 bar (725-5075 psi), std setting 280 bar (4060 psi) @ 5 l/min (1.32 US gpm)

For other configurations please contact our Sales Dpt.

VOSL/V1116 complete valves

Vented (V) configuration with SAE10 thread

TYPE: **VOSL/V1116/S10/G5.p4/ac** CODE: 1514532200

DESCRIPTION: Steel body, pilot ratio 1:4, range 150-350 bar (2175-5075 psi), std setting 280 bar (4060 psi) @ 5 l/min (1.32 US gpm)

TYPE: **VOSL/V1116/S10/G5.p8/ac** CODE: 1514532201

DESCRIPTION: Steel body, pilot ratio 1:8, range 180-350 bar (2610-5075 psi), std setting 280 bar (4060 psi) @ 5 l/min (1.32 US gpm)

TYPE: **VOSL/V1116/S10/G5.p0/ac** CODE: 1514532202

DESCRIPTION: Steel body, zero differential pilot ratio, range 50-350 bar (725-5075 psi), std setting 280 bar (4060 psi) @ 5 l/min (1.32 US gpm)

Vented (V) configuration with SAE10 thread and F1 flange

TYPE: **VOSL/V1116/S10F1/G5.p4/ac** CODE: 1515232200

DESCRIPTION: Steel body, pilot ratio 1:4, range 150-350 bar (2175-5075 psi), std setting 280 bar (4060 psi) @ 5 l/min (1.32 US gpm)

TYPE: **VOSL/V1116/S10F1/G5.p8/ac** CODE: 1515232201

DESCRIPTION: Steel body, pilot ratio 1:8, range 180-350 bar (2610-5075 psi), std setting 280 bar (4060 psi) @ 5 l/min (1.32 US gpm)

TYPE: **VOSL/V1116/S10F1/G5.p0/ac** CODE: 1515232202

DESCRIPTION: Steel body, zero differential pilot ratio, range 50-350 bar (725-5075 psi), std setting 280 bar (4060 psi) @ 5 l/min (1.32 US gpm)

Vented (V) configuration with SAE10 thread and F2 flange

TYPE: **VOSL/V1116/S10F2/G5.p4/ac** CODE: 1515232203

DESCRIPTION: Steel body, pilot ratio 1:4, range 150-350 bar (2175-5075 psi), std setting 280 bar (4060 psi) @ 5 l/min (1.32 US gpm)

TYPE: **VOSL/V1116/S10F2/G5.p8/ac** CODE: 1515232204

DESCRIPTION: Steel body, pilot ratio 1:8, range 180-350 bar (2610-5075 psi), std setting 280 bar (4060 psi) @ 5 l/min (1.32 US gpm)

TYPE: **VOSL/V1116/S10F2/G5.p0/ac** CODE: 1515232205

DESCRIPTION: Steel body, zero differential pilot ratio, range 50-350 bar (725-5075 psi), std setting 280 bar (4060 psi) @ 5 l/min (1.32 US gpm)

For other configurations please contact our Sales Dpt.

1 Pressure setting spring

TYPE	CODE	DESCRIPTION
------	------	-------------

For 1:4 and zero differential pilot ratio

3	3ML1133201	For range 50-210 bar (725-3050 psi)
----------	------------	-------------------------------------

5	3ML1133200	For range 150-350 bar (2175-5075 psi)
----------	------------	---------------------------------------

For 1:8 pilot ratio

5	3ML1133201	For range 180-350 bar (2610-5075 psi)
----------	------------	---------------------------------------

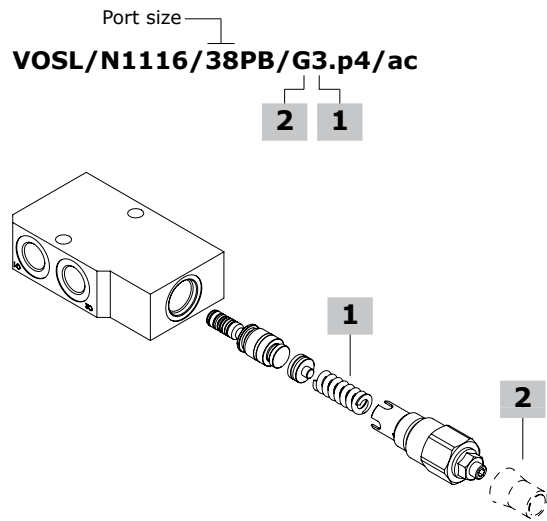
2 Setting type

TYPE	CODE	DESCRIPTION
------	------	-------------

G	-	Screw setting
----------	---	---------------

Z	4COP130200	Antitampering cap
----------	------------	-------------------

Ordering codes and description composition



1 Pressure setting spring

TYPE	CODE	DESCRIPTION
For 1:4 and zero differential pilot ratio		
3	3ML1133201	For range 50-210 bar (725-3050 psi)
5	3ML1133200	For range 150-350 bar (2175-5075 psi)
For 1:8 pilot ratio		
5	3ML1133201	For range 180-350 bar (2610-5075 psi)

2 Setting type

TYPE	CODE	DESCRIPTION
G	-	Screw setting
Z	4COP130200	Antitampering cap

VOSL/N1116/PB complete valves

Load sensitive (N) configuration with G3/8 thread

Pilot ratio 1:4

TYPE: **VOSL/N1116/38PB/G3.p4/ac** CODE: 1514222101
DESCRIPTION: Steel body, range 50-210 bar (725-3050 psi), std setting 150 bar (2175 psi) @ 5 l/min (1.32 US gpm)

TYPE: **VOSL/N1116/38PB/G5.p4/ac** CODE: 1514222100
DESCRIPTION: Steel body, range 150-350 bar (2175-5075 psi), std setting 280 bar (4060 psi) @ 5 l/min (1.32 US gpm)

Pilot ratio 1:8

TYPE: **VOSL/N1116/38PB/G5.p8/ac** CODE: 1514222102
DESCRIPTION: Steel body, range 180-350 bar (2610-5075 psi), std setting 280 bar (4060 psi) @ 5 l/min (1.32 US gpm)

Zero differential pilot ratio

TYPE: **VOSL/N1116/38PB/G5.p0/ac** CODE: 1514222103
DESCRIPTION: Steel body, range 50-350 bar (725-5075 psi), std setting 280 bar (4060 psi) @ 5 l/min (1.32 US gpm)

Load sensitive (N) configuration with G1/2 thread

Pilot ratio 1:4

TYPE: **VOSL/N1116/12PB/G3.p4/ac** CODE: 1514232101
DESCRIPTION: Steel body, range 50-210 bar (725-3050 psi), std setting 150 bar (2175 psi) @ 5 l/min (1.32 US gpm)

TYPE: **VOSL/N1116/12PB/G5.p4/ac** CODE: 1514232100
DESCRIPTION: Steel body, range 150-350 bar (2175-5075 psi), std setting 280 bar (4060 psi) @ 5 l/min (1.32 US gpm)

Pilot ratio 1:8

TYPE: **VOSL/N1116/12PB/G5.p8/ac** CODE: 1514232102
DESCRIPTION: Steel body, range 180-350 bar (2610-5075 psi), std setting 280 bar (4060 psi) @ 5 l/min (1.32 US gpm)

Zero differential pilot ratio

TYPE: **VOSL/N1116/12PB/G5.p0/ac** CODE: 1514232103
DESCRIPTION: Steel body, range 50-350 bar (725-5075 psi), std setting 280 bar (4060 psi) @ 5 l/min (1.32 US gpm)
For other configurations please contact our Sales Dpt.

Ordering codes and description composition

VOSL/(N-R-V) 1116 (38-12) pressure drop vs. flow from D1->U1 and U1->D1

