



## Type VOSL/N1516 - VOSL/V1516 counterbalance valves

- Single acting
- Load Sensitive (type N)
- Vented (type V)
- Configuration with F1 and F2 flange

Technical specifications and diagrams are measured with mineral oil of 46 cSt viscosity at 40°C (104°F) temperature.

### VOSL/N1516 (12-34) - VOSL/V1516 (12-34)

Nominal flow	160 l/min (42.3 US gpm)
Max. pressure	350 bar <sup>(1)</sup> (5100 psi) - 400 bar <sup>(2)</sup> (5800 psi)
Oil leakage	0.5 cm <sup>3</sup> /min (0.030 in <sup>3</sup> /min) - 10 drops/min at 80% of pressure setting
Fluid	mineral based oil
Viscosity	from 10 to 200 cSt
Max. level of contamination	18/16/13 ISO4406
Fluid temperature	with NBR seals from -20°C (-4°F) to 90°C (194°F)
Environmental temp. for working conditions	from -20°C (-4°F) to 50°C (122°F)

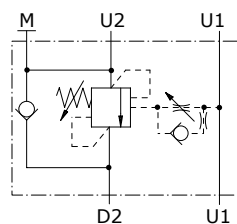
Weight

**VOSL/N1516/12:** 2.50 kg (5.51 lb) - **VOSL/N1516/34:** 3.30 kg (7.27 lb)

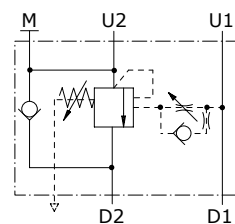
**VOSL/V1516/12:** 2.50 kg (5.51 lb) - **VOSL/V1516/34:** 3.30 kg (7.27 lb)

NOTE - For different conditions, please contact Walvoil Sales Dpt. - <sup>(1)</sup>According to NFPA T 2.6.1., fatigue rating verified for 1 million cycles on 6 sample valves with test Pressure = 1.23 x Max. pressure indicated - <sup>(2)</sup>Intermittent pressure at max. 100,000 cycles with specific internal testing.

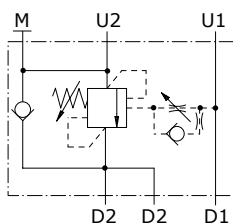
**VOSL/N1516**



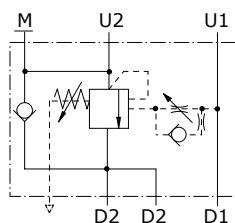
**VOSL/V1516**



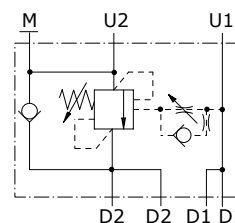
**VOSL/N1516/F1**



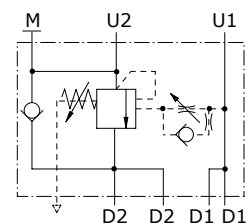
**VOSL/V1516/F1**



**VOSL/N1516/F2**

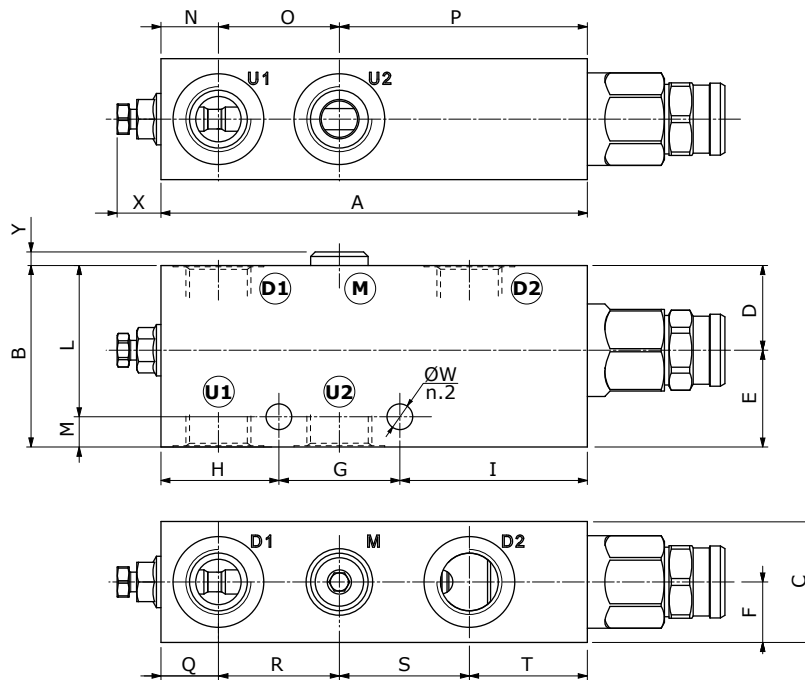


**VOSL/V1516/F2**

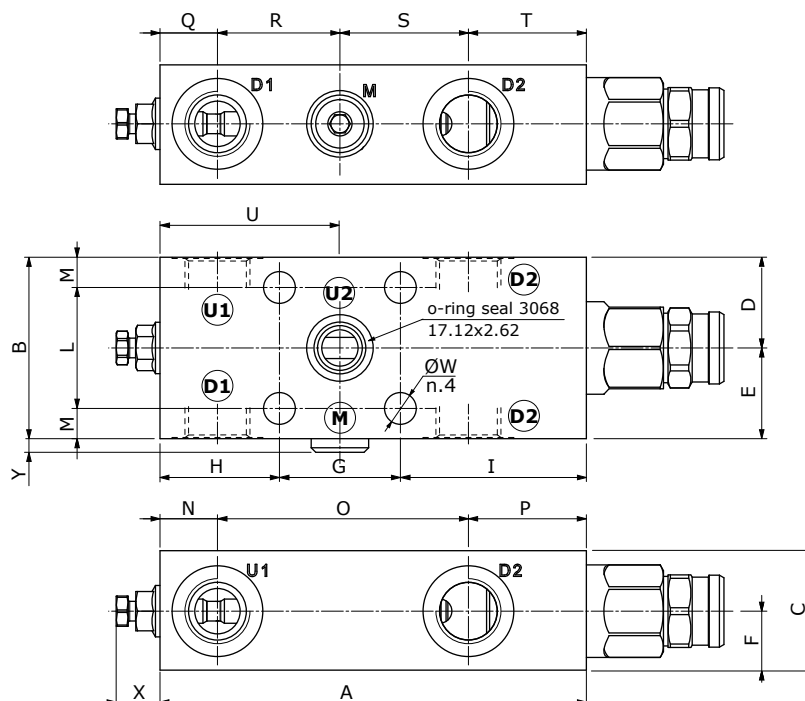


## Dimensions

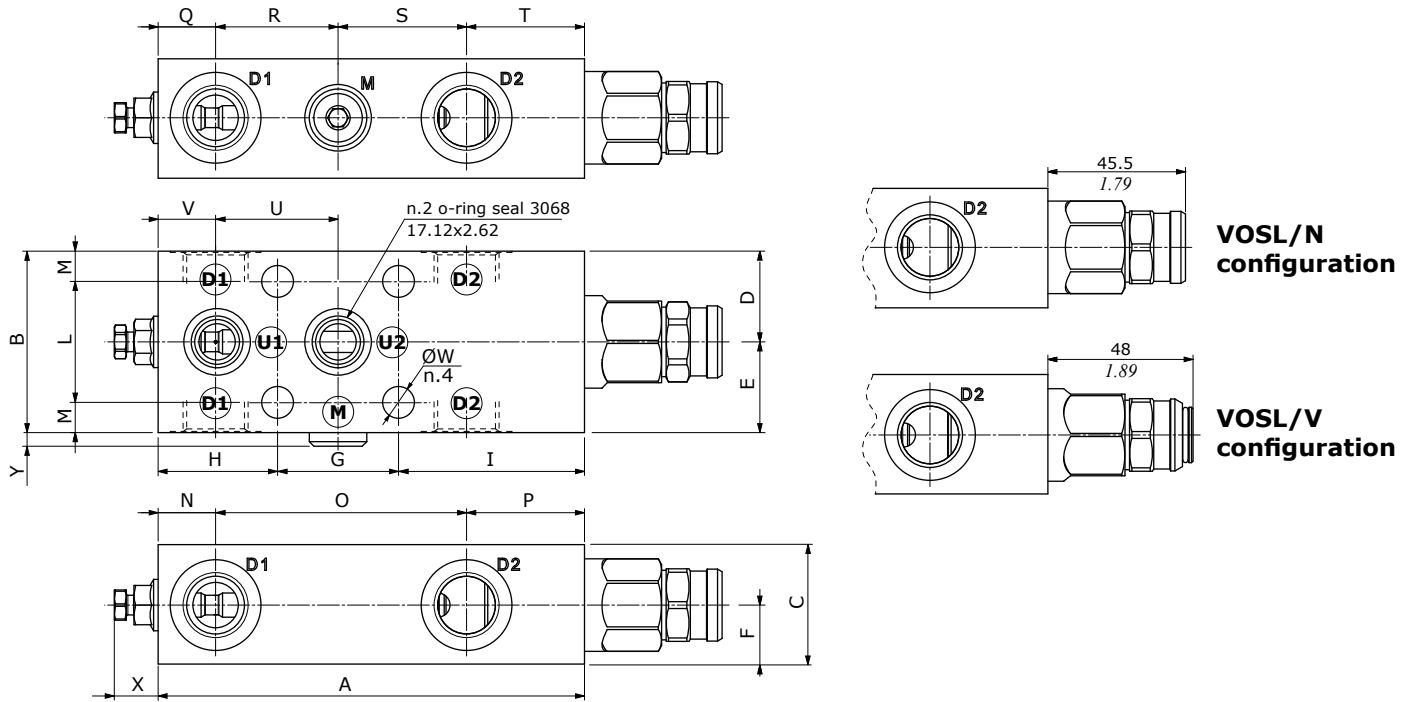
### VOSL/...1516/12 - VOSL/...1516/34



### VOSL/...1516/12F1 - VOSL/...1516/34F1



**VOSL/...1516/12F2 - VOSL/...1516/34F2**



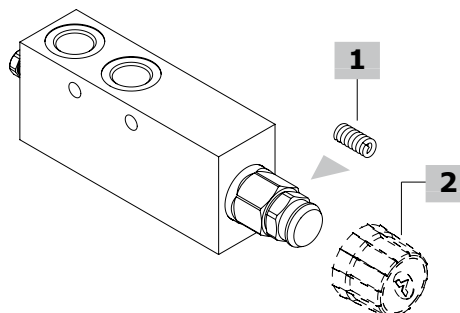
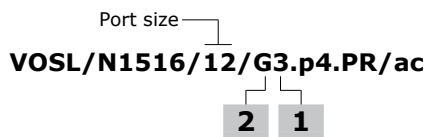
Valve type	⊙1	⊙2	⊙U1	⊙U2	⊙M	Valve type	⊙1	⊙2	⊙U1	⊙U2	⊙M
VOSL/...1516/12	G1/2	G1/2	G1/2	G1/2	G1/4	VOSL/...1516/S10	SAE10	SAE10	SAE10	SAE10	G1/4
VOSL/...1516/34	G3/4	G3/4	G3/4	G3/4	G1/4	VOSL/...1516/S12	SAE12	SAE12	SAE12	SAE12	G1/4
VOSL/...1516/12F1	G1/2	G1/2	G1/2	Ø12-Ø0.472	G1/4	VOSL/...1516/S10F1	SAE10	SAE10	SAE10	Ø12-Ø0.472	G1/4
VOSL/...1516/34F1	G3/4	G3/4	G3/4	Ø12-Ø0.472	G1/4	VOSL/...1516/S12F1	SAE12	SAE12	SAE12	Ø12-Ø0.472	G1/4
VOSL/...1516/12F2	G1/2	G1/2	Ø12-Ø0.472	Ø12-Ø0.472	G1/4	VOSL/...1516/S10F2	SAE10	SAE10	Ø12-Ø0.472	Ø12-Ø0.472	G1/4
VOSL/...1516/34F2	G3/4	G3/4	Ø12-Ø0.472	Ø12-Ø0.472	G1/4	VOSL/...1516/S12F2	SAE12	SAE12	Ø12-Ø0.472	Ø12-Ø0.472	G1/4

Dimensions are in mm-in

Valve type	A	B	C	D	E	F	G	H	I	L	M	N
VOSL/...1516/12 VOSL/...1516/S10	141-5.55	60-2.36	40-1.57	28-1.10	32-1.26	20-0.79	40-1.57	39-1.54	62-2.44	50-1.97	10-0.394	19-0.75
VOSL/...1516/34 VOSL/...1516/S12	147-5.79	80-3.15	40-1.57	39-1.54	41-1.61	20-0.79	40-1.57	45-1.77	62-2.44	60-2.36	20-0.79	22-0.87
VOSL/...1516/12F1 VOSL/...1516/S10F1	141-5.55	60-2.36	39.5-1.56	30-1.18	30-1.18	19.5-0.77	40-1.57	39.5-1.56	61.5-2.42	40-1.57	10-0.394	19-0.75
VOSL/...1516/34F1 VOSL/...1516/S12F1	147-5.79	80-3.15	39.5-1.56	40-1.57	40-1.57	19.5-0.77	40-1.57	45-1.77	62-2.44	40-1.57	20-0.79	22-0.87
VOSL/...1516/12F2 VOSL/...1516/S10F2	141-5.55	60-2.36	39.5-1.56	30-1.18	30-1.18	19.5-0.77	40-1.57	39.5-1.56	61.5-2.42	40-1.57	10-0.394	19-0.75
VOSL/...1516/34F2 VOSL/...1516/S12F2	147-5.79	80-3.15	39.5-1.56	40-1.57	40-1.57	19.5-0.77	40-1.57	45-1.77	62-2.44	40-1.57	20-0.79	22-0.87

Valve type	O	P	Q	R	S	T	U	V	ØW	X(max)	Y
VOSL/...1516/12 VOSL/...1516/S10	40-1.57	82-3.23	19-0.75	40-1.57	43-1.69	39-1.54	-	-	8.5-0.335	22-0.87	4.5-0.177
VOSL/...1516/34 VOSL/...1516/S12	43-1.69	65-2.56	22-0.87	43-1.69	43-1.69	39-1.54	-	-	10.5-0.413	22-0.87	4.5-0.177
VOSL/...1516/12F1 VOSL/...1516/S10	83-3.27	39-1.54	19-0.75	40.5-1.59	42.5-1.67	39-1.54	59.5-2.34	-	10.5-0.413	22-0.87	4.5-0.177
VOSL/...1516/34F1 VOSL/...1516/S12F1	86-3.39	39-1.54	22-0.87	43-1.69	43-1.69	39-1.54	65-2.56	-	10.5-0.413	22-0.87	4.5-0.177
VOSL/...1516/12F2 VOSL/...1516/S10F2	83-3.27	39-1.54	19-0.75	40.5-1.59	42.5-1.67	39-1.54	40-1.57	19.5-0.77	10.5-0.413	22-0.87	4.5-0.177
VOSL/...1516/34F2 VOSL/...1516/S12F2	86-3.39	39-1.54	22-0.87	43-1.69	43-1.69	39-1.54	43-1.69	22-0.87	10.5-0.413	22-0.87	4.5-0.177

### Ordering codes and description composition



#### VOSL/N1516 Complete valves

##### Load sensitive (N) configuration with G1/2 thread

###### Pilot ratio 1:4

TYPE: **VOSL/N1516/12/G3.p4.PR/ac** CODE: 1514632100

DESCRIPTION: Steel body, range 100-210 bar (1450-3050 psi),  
std setting 150 bar (2175 psi) @ 5 l/min (1.32 US gpm)

TYPE: **VOSL/N1516/12/G5.p4.PR/ac** CODE: 1514632101

DESCRIPTION: Steel body, range 150-350 bar (2175-5075 psi),  
std setting 280 bar (4060 psi) @ 5 l/min (1.32 US gpm)

TYPE: **VOSL/N1516/12/G7.p4.PR/ac** CODE: 1514632102

DESCRIPTION: Steel body, range 200-400 bar (2900-5800 psi),  
std setting 350 bar (5075 psi) @ 5 l/min (1.32 US gpm)

###### Pilot ratio 1:8

TYPE: **VOSL/N1516/12/G5.p8.PR/ac** CODE: 1514632104

DESCRIPTION: Steel body, range 150-350 bar (2175-5075 psi),  
std setting 280 bar (4060 psi) @ 5 l/min (1.32 US gpm)

TYPE: **VOSL/N1516/12/G7.p8.PR/ac** CODE: 1514632105

DESCRIPTION: Steel body, range 200-400 bar (2900-5800 psi),  
std setting 350 bar (5075 psi) @ 5 l/min (1.32 US gpm)

###### Zero differential pilot ratio

TYPE: **VOSL/N1516/12/G3.p0.PR/ac** CODE: 1514632106

DESCRIPTION: Steel body, range 50-210 bar (725-3050 psi),  
std setting 150 bar (2175 psi) @ 5 l/min (1.32 US gpm)

TYPE: **VOSL/N1516/12/G5.p0.PR/ac** CODE: 1514632107

DESCRIPTION: Steel body, range 50-350 bar (725-5075 psi),  
std setting 280 bar (4060 psi) @ 5 l/min (1.32 US gpm)

TYPE: **VOSL/N1516/12/G7.p0.PR/ac** CODE: 1514632108

DESCRIPTION: Steel body, range 150-400 bar (2175-5800 psi),  
std setting 350 bar (5075 psi) @ 5 l/min (1.32 US gpm)

##### Load sensitive (N) configuration with G1/2 thread and F1 flange

TYPE: **VOSL/N1516/12F1/G5.p4.PR/ac** CODE: 1515632100

DESCRIPTION: Steel body, pilot ratio 1:4, range 150-350 bar  
(2175-5075 psi), std setting 280 bar (4060 psi) @ 5 l/min (1.32 US gpm)

TYPE: **VOSL/N1516/12F1/G5.p8.PR/ac** CODE: 1515632101

DESCRIPTION: Steel body, pilot ratio 1:8, range 150-350 bar  
(2175-5075 psi), std setting 280 bar (4060 psi) @ 5 l/min (1.32 US gpm)

TYPE: **VOSL/N1516/12F1/G5.p0.PR/ac** CODE: 1515632102

DESCRIPTION: Steel body, zero differential pilot ratio, range 50-350 bar  
(725-5075 psi), std setting 280 bar (4060 psi) @ 5 l/min (1.32 US gpm)

##### Load sensitive (N) configuration with G1/2 thread and F2 flange

TYPE: **VOSL/N1516/12F2/G5.p4.PR/ac** CODE: 1515632103

DESCRIPTION: Steel body, pilot ratio 1:4, range 150-350 bar  
(2175-5075 psi), std setting 280 bar (4060 psi) @ 5 l/min (1.32 US gpm)

TYPE: **VOSL/N1516/12F2/G5.p8.PR/ac** CODE: 1515632104

DESCRIPTION: Steel body, pilot ratio 1:8, range 150-350 bar  
(2175-5075 psi), std setting 280 bar (4060 psi) @ 5 l/min (1.32 US gpm)

TYPE: **VOSL/N1516/12F2/G5.p0.PR/ac** CODE: 1515632105

DESCRIPTION: Steel body, zero differential pilot ratio, range 50-350 bar  
(725-5075 psi), std setting 280 bar (4060 psi) @ 5 l/min (1.32 US gpm)

#### VOSL/N1516 Complete valves

##### Load sensitive (N) configuration with SAE10 thread

###### Pilot ratio 1:4

TYPE: **VOSL/N1516/S10/G3.p4.PR/ac** CODE: 1514632200

DESCRIPTION: Steel body, range 100-210 bar (1450-3050 psi),  
std setting 150 bar (2175 psi) @ 5 l/min (1.32 US gpm)

TYPE: **VOSL/N1516/S10/G5.p4.PR/ac** CODE: 1514632201

DESCRIPTION: Steel body, range 150-350 bar (2175-5075 psi),  
std setting 280 bar (4060 psi) @ 5 l/min (1.32 US gpm)

TYPE: **VOSL/N1516/S10/G7.p4.PR/ac** CODE: 1514632202

DESCRIPTION: Steel body, range 200-400 bar (2900-5800 psi),  
std setting 350 bar (5075 psi) @ 5 l/min (1.32 US gpm)

###### Pilot ratio 1:8

TYPE: **VOSL/N1516/S10/G5.p8.PR/ac** CODE: 1514632204

DESCRIPTION: Steel body, range 150-350 bar (2175-5075 psi),  
std setting 280 bar (4060 psi) @ 5 l/min (1.32 US gpm)

TYPE: **VOSL/N1516/S10/G7.p8.PR/ac** CODE: 1514632205

DESCRIPTION: Steel body, range 200-400 bar (2900-5800 psi),  
std setting 350 bar (5075 psi) @ 5 l/min (1.32 US gpm)

###### Zero differential pilot ratio

TYPE: **VOSL/N1516/S10/G3.p0.PR/ac** CODE: 1514632206

DESCRIPTION: Steel body, range 50-210 bar (725-3050 psi),  
std setting 150 bar (2175 psi) @ 5 l/min (1.32 US gpm)

TYPE: **VOSL/N1516/S10/G5.p0.PR/ac** CODE: 1514632207

DESCRIPTION: Steel body, range 50-350 bar (725-5075 psi),  
std setting 280 bar (4060 psi) @ 5 l/min (1.32 US gpm)

TYPE: **VOSL/N1516/S10/G7.p0.PR/ac** CODE: 1514632208

DESCRIPTION: Steel body, range 150-400 bar (2175-5800 psi),  
std setting 350 bar (5075 psi) @ 5 l/min (1.32 US gpm)

##### Load sensitive (N) configuration with SAE10 thread and F1 flange

TYPE: **VOSL/N1516/S10F1/G5.p4.PR/ac** CODE: 1515632200

DESCRIPTION: Steel body, pilot ratio 1:4, range 150-350 bar  
(2175-5075 psi), std setting 280 bar (4060 psi) @ 5 l/min (1.32 US gpm)

TYPE: **VOSL/N1516/S10F1/G5.p8.PR/ac** CODE: 1515632201

DESCRIPTION: Steel body, pilot ratio 1:8, range 150-350 bar  
(2175-5075 psi), std setting 280 bar (4060 psi) @ 5 l/min (1.32 US gpm)

TYPE: **VOSL/N1516/S10F1/G5.p0.PR/ac** CODE: 1515632202

DESCRIPTION: Steel body, zero differential pilot ratio, range 50-350 bar  
(725-5075 psi), std setting 280 bar (4060 psi) @ 5 l/min (1.32 US gpm)

##### Load sensitive (N) configuration with SAE10 thread and F2 flange

TYPE: **VOSL/N1516/S10F2/G5.p4.PR/ac** CODE: 1515632203

DESCRIPTION: Steel body, pilot ratio 1:4, range 150-350 bar  
(2175-5075 psi), std setting 280 bar (4060 psi) @ 5 l/min (1.32 US gpm)

TYPE: **VOSL/N1516/S10F2/G5.p8.PR/ac** CODE: 1515632204

DESCRIPTION: Steel body, pilot ratio 1:8, range 150-350 bar  
(2175-5075 psi), std setting 280 bar (4060 psi) @ 5 l/min (1.32 US gpm)

TYPE: **VOSL/N1516/S10F2/G5.p0.PR/ac** CODE: 1515632205

DESCRIPTION: Steel body, zero differential pilot ratio, range 50-350 bar  
(725-5075 psi), std setting 280 bar (4060 psi) @ 5 l/min (1.32 US gpm)

**Ordering codes and description composition**

**VOSL/N1516 Complete valves**

**Load sensitive (N) configuration with G3/4 thread**

TYPE: **VOSL/N1516/34/G5.p4.PR/ac** CODE: 1514642100  
DESCRIPTION: Steel body, pilot ratio 1:4, range 150-350 bar (2175-5075 psi), std setting 280 bar (4060 psi) @ 5 l/min (1.32 US gpm)  
TYPE: **VOSL/N1516/34/G5.p8.PR/ac** CODE: 1514642101  
DESCRIPTION: Steel body, pilot ratio 1:8, range 150-350 bar (2175-5075 psi), std setting 280 bar (4060 psi) @ 5 l/min (1.32 US gpm)  
TYPE: **VOSL/N1516/34/G5.p0.PR/ac** CODE: 1514642102  
DESCRIPTION: Steel body, zero differential pilot ratio, range 50-350 bar (725-5075 psi), std setting 280 bar (4060 psi) @ 5 l/min (1.32 US gpm)

**Load sensitive (N) configuration with G3/4 thread and F1 flange**

TYPE: **VOSL/N1516/34F1/G5.p4.PR/ac** CODE: 1515642100  
DESCRIPTION: Steel body, pilot ratio 1:4, range 150-350 bar (2175-5075 psi), std setting 280 bar (4060 psi) @ 5 l/min (1.32 US gpm)  
TYPE: **VOSL/N1516/34F1/G5.p8.PR/ac** CODE: 1515642101  
DESCRIPTION: Steel body, pilot ratio 1:8, range 150-350 bar (2175-5075 psi), std setting 280 bar (4060 psi) @ 5 l/min (1.32 US gpm)  
TYPE: **VOSL/N1516/34F1/G5.p0.PR/ac** CODE: 1515642102  
DESCRIPTION: Steel body, zero differential pilot ratio, range 50-350 bar (725-5075 psi), std setting 280 bar (4060 psi) @ 5 l/min (1.32 US gpm)

**Load sensitive (N) configuration with G3/4 thread and F2 flange**

TYPE: **VOSL/N1516/34F2/G5.p4.PR/ac** CODE: 1515642103  
DESCRIPTION: Steel body, pilot ratio 1:4, range 150-350 bar (2175-5075 psi), std setting 280 bar (4060 psi) @ 5 l/min (1.32 US gpm)  
TYPE: **VOSL/N1516/34F2/G5.p8.PR/ac** CODE: 1515642104  
DESCRIPTION: Steel body, pilot ratio 1:8, range 150-350 bar (2175-5075 psi), std setting 280 bar (4060 psi) @ 5 l/min (1.32 US gpm)  
TYPE: **VOSL/N1516/34F2/G5.p0.PR/ac** CODE: 1515642105  
DESCRIPTION: Steel body, zero differential pilot ratio, range 50-350 bar (725-5075 psi), std setting 280 bar (4060 psi) @ 5 l/min (1.32 US gpm)

For other configurations please contact our Sales Dpt.

**VOSL/N1516 Complete valves**

**Load sensitive (N) configuration with SAE12 thread**

TYPE: **VOSL/N1516/S12/G5.p4.PR/ac** CODE: 1514642200  
DESCRIPTION: Steel body, pilot ratio 1:4, range 150-350 bar (2175-5075 psi), std setting 280 bar (4060 psi) @ 5 l/min (1.32 US gpm)  
TYPE: **VOSL/N1516/S12/G5.p8.PR/ac** CODE: 1514642201  
DESCRIPTION: Steel body, pilot ratio 1:8, range 150-350 bar (2175-5075 psi), std setting 280 bar (4060 psi) @ 5 l/min (1.32 US gpm)  
TYPE: **VOSL/N1516/S12/G5.p0.PR/ac** CODE: 1514642202  
DESCRIPTION: Steel body, zero differential pilot ratio, range 50-350 bar (725-5075 psi), std setting 280 bar (4060 psi) @ 5 l/min (1.32 US gpm)

**Load sensitive (N) configuration with SAE12 thread and F1 flange**

TYPE: **VOSL/N1516/S12F1/G5.p4.PR/ac** CODE: 1515642200  
DESCRIPTION: Steel body, pilot ratio 1:4, range 150-350 bar (2175-5075 psi), std setting 280 bar (4060 psi) @ 5 l/min (1.32 US gpm)  
TYPE: **VOSL/N1516/S12F1/G5.p8.PR/ac** CODE: 1515642201  
DESCRIPTION: Steel body, pilot ratio 1:8, range 150-350 bar (2175-5075 psi), std setting 280 bar (4060 psi) @ 5 l/min (1.32 US gpm)  
TYPE: **VOSL/N1516/S12F1/G5.p0.PR/ac** CODE: 1515642202  
DESCRIPTION: Steel body, zero differential pilot ratio, range 50-350 bar (725-5075 psi), std setting 280 bar (4060 psi) @ 5 l/min (1.32 US gpm)

**Load sensitive (N) configuration with SAE12 thread and F2 flange**

TYPE: **VOSL/N1516/S12F2/G5.p4.PR/ac** CODE: 1515642203  
DESCRIPTION: Steel body, pilot ratio 1:4, range 150-350 bar (2175-5075 psi), std setting 280 bar (4060 psi) @ 5 l/min (1.32 US gpm)  
TYPE: **VOSL/N1516/S12F2/G5.p8.PR/ac** CODE: 1515642204  
DESCRIPTION: Steel body, pilot ratio 1:8, range 150-350 bar (2175-5075 psi), std setting 280 bar (4060 psi) @ 5 l/min (1.32 US gpm)  
TYPE: **VOSL/N1516/S12F2/G5.p0.PR/ac** CODE: 1515642205  
DESCRIPTION: Steel body, zero differential pilot ratio, range 50-350 bar (725-5075 psi), std setting 280 bar (4060 psi) @ 5 l/min (1.32 US gpm)

For other configurations please contact our Sales Dpt.

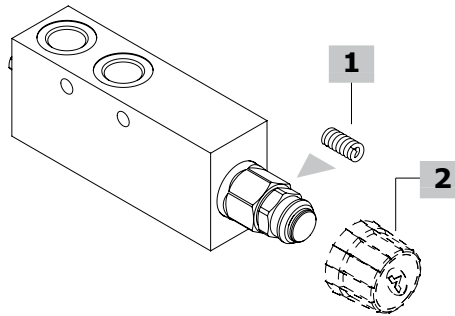
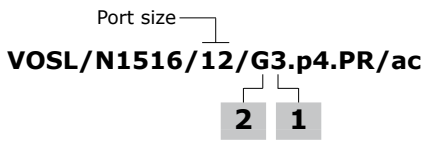
**1 Pressure setting spring**

TYPE	CODE	DESCRIPTION
<b>For 1:4 and zero differential pilot ratio</b>		
<b>3</b>	3MOL316450	For range 100-210 bar (1450-3050 psi)
<b>5</b>	3MOL316430	For range 150-350 bar (2175-5075 psi)
<b>7</b>	3MOL316411	For range 200-400 bar (2900-5800 psi)
<b>For 1:8 pilot ratio</b>		
<b>5</b>	3MOL316450	For range 150-350 bar (2175-5075 psi)
<b>7</b>	3MOL316430	For range 200-400 bar (2900-5800 psi)

**2 Antitampering cap**

TYPE	CODE	DESCRIPTION
<b>G</b>	-	Screw setting
<b>Z</b>	4COP140311	Antitampering cap

## Ordering codes and description composition



### VOSL/V1516 Complete valves

#### Vented (V) configuration with G1/2 thread

*Pilot ratio 1:4*

TYPE: **VOSL/V1516/12/G3.p4.PR/ac** CODE: 1514732100

DESCRIPTION: Steel body, range 100-210 bar (1450-3050 psi),  
std setting 150 bar (2175 psi) @ 5 l/min (1.32 US gpm)

TYPE: **VOSL/V1516/12/G5.p4.PR/ac** CODE: 1514732101

DESCRIPTION: Steel body, range 150-350 bar (2175-5075 psi),  
std setting 280 bar (4060 psi) @ 5 l/min (1.32 US gpm)

TYPE: **VOSL/V1516/12/G7.p4.PR/ac** CODE: 1514732102

DESCRIPTION: Steel body, range 200-400 bar (2900-5800 psi),  
std setting 350 bar (5075 psi) @ 5 l/min (1.32 US gpm)

*Pilot ratio 1:8*

TYPE: **VOSL/V1516/12/G5.p8.PR/ac** CODE: 1514732104

DESCRIPTION: Steel body, range 150-350 bar (2175-5075 psi),  
std setting 280 bar (4060 psi) @ 5 l/min (1.32 US gpm)

TYPE: **VOSL/V1516/12/G7.p8.PR/ac** CODE: 1514732105

DESCRIPTION: Steel body, range 200-400 bar (2900-5800 psi),  
std setting 350 bar (5075 psi) @ 5 l/min (1.32 US gpm)

*Zero differential pilot ratio*

TYPE: **VOSL/V1516/12/G3.p0.PR/ac** CODE: 1514732106

DESCRIPTION: Steel body, range 50-210 bar (725-3050 psi), std setting  
150 bar (2175 psi) @ 5 l/min (1.32 US gpm)

TYPE: **VOSL/V1516/12/G5.p0.PR/ac** CODE: 1514732107

DESCRIPTION: Steel body, range 50-350 bar (725-5075 psi), std setting  
280 bar (4060 psi) @ 5 l/min (1.32 US gpm)

TYPE: **VOSL/V1516/12/G7.p0.PR/ac** CODE: 1514732108

DESCRIPTION: Steel body, range 150-400 bar (2175-5800 psi), std  
setting 350 bar (5075 psi) @ 5 l/min (1.32 US gpm)

#### Vented (V) configuration with G1/2 thread and F1 flange

TYPE: **VOSL/V1516/12F1/G5.p4.PR/ac** CODE: 1515732100

DESCRIPTION: Steel body, pilot ratio 1:4, range 150-350 bar  
(2175-5075 psi), std setting 280 bar (4060 psi) @ 5 l/min (1.32 US gpm)

TYPE: **VOSL/V1516/12F1/G5.p8.PR/ac** CODE: 1515732101

DESCRIPTION: Steel body, pilot ratio 1:8, range 150-350 bar  
(2175-5075 psi), std setting 280 bar (4060 psi) @ 5 l/min (1.32 US gpm)

TYPE: **VOSL/V1516/12F1/G5.p0.PR/ac** CODE: 1515732102

DESCRIPTION: Steel body, zero differential pilot ratio, range 50-350 bar  
(725-5075 psi), std setting 280 bar (4060 psi) @ 5 l/min (1.32 US gpm)

#### Vented (V) configuration with G1/2 thread and F2 flange

TYPE: **VOSL/V1516/12F2/G5.p4.PR/ac** CODE: 1515732103

DESCRIPTION: Steel body, pilot ratio 1:4, range 150-350 bar  
(2175-5075 psi), std setting 280 bar (4060 psi) @ 5 l/min (1.32 US gpm)

TYPE: **VOSL/V1516/12F2/G5.p8.PR/ac** CODE: 1515732104

DESCRIPTION: Steel body, Pilot ratio 1:8, range 150-350 bar  
(2175-5075 psi), std setting 280 bar (4060 psi) @ 5 l/min (1.32 US gpm)

TYPE: **VOSL/V1516/12F2/G5.p0.PR/ac** CODE: 1515732105

DESCRIPTION: Steel body, zero differential pilot ratio, range 50-350 bar  
(725-5075 psi), std setting 280 bar (4060 psi) @ 5 l/min (1.32 US gpm)

### VOSL/V1516 Complete valves

#### Vented (V) configuration with SAE10 thread

*Pilot ratio 1:4*

TYPE: **VOSL/V1516/S10/G3.p4.PR/ac** CODE: 1514732200

DESCRIPTION: Steel body, range 100-210 bar (1450-3050 psi),  
std setting 150 bar (2175 psi) @ 5 l/min (1.32 US gpm)

TYPE: **VOSL/V1516/S10/G5.p4.PR/ac** CODE: 1514732201

DESCRIPTION: Steel body, range 150-350 bar (2175-5075 psi),  
std setting 280 bar (4060 psi) @ 5 l/min (1.32 US gpm)

TYPE: **VOSL/V1516/S10/G7.p4.PR/ac** CODE: 1514732202

DESCRIPTION: Steel body, range 200-400 bar (2900-5800 psi),  
std setting 350 bar (5075 psi) @ 5 l/min (1.32 US gpm)

*Pilot ratio 1:8*

TYPE: **VOSL/V1516/S10/G5.p8.PR/ac** CODE: 1514732204

DESCRIPTION: Steel body, range 150-350 bar (2175-5075 psi),  
std setting 280 bar (4060 psi) @ 5 l/min (1.32 US gpm)

TYPE: **VOSL/V1516/S10/G7.p8.PR/ac** CODE: 1514732205

DESCRIPTION: Steel body, range 200-400 bar (2900-5800 psi),  
std setting 350 bar (5075 psi) @ 5 l/min (1.32 US gpm)

*Zero differential pilot ratio*

TYPE: **VOSL/V1516/S10/G3.p0.PR/ac** CODE: 1514732206

DESCRIPTION: Steel body, range 50-210 bar (725-3050 psi), std setting  
150 bar (2175 psi) @ 5 l/min (1.32 US gpm)

TYPE: **VOSL/V1516/S10/G5.p0.PR/ac** CODE: 1514732207

DESCRIPTION: Steel body, range 50-350 bar (725-5075 psi), std setting  
280 bar (4060 psi) @ 5 l/min (1.32 US gpm)

TYPE: **VOSL/V1516/S10/G7.p0.PR/ac** CODE: 1514732208

DESCRIPTION: Steel body, range 150-400 bar (2175-5800 psi), std  
setting 350 bar (5075 psi) @ 5 l/min (1.32 US gpm)

#### Vented (V) configuration with SAE10 thread and F1 flange

TYPE: **VOSL/V1516/S10F1/G5.p4.PR/ac** CODE: 1515732200

DESCRIPTION: Steel body, pilot ratio 1:4, range 150-350 bar  
(2175-5075 psi), std setting 280 bar (4060 psi) @ 5 l/min (1.32 US gpm)

TYPE: **VOSL/V1516/S10F1/G5.p8.PR/ac** CODE: 1515732201

DESCRIPTION: Steel body, pilot ratio 1:8, range 150-350 bar  
(2175-5075 psi), std setting 280 bar (4060 psi) @ 5 l/min (1.32 US gpm)

TYPE: **VOSL/V1516/S10F1/G5.p0.PR/ac** CODE: 1515732202

DESCRIPTION: Steel body, zero differential pilot ratio, range 50-350 bar  
(725-5075 psi), std setting 280 bar (4060 psi) @ 5 l/min (1.32 US gpm)

#### Vented (V) configuration with SAE10 thread and F2 flange

TYPE: **VOSL/V1516/S10F2/G5.p4.PR/ac** CODE: 1515732203

DESCRIPTION: Steel body, pilot ratio 1:4, range 150-350 bar  
(2175-5075 psi), std setting 280 bar (4060 psi) @ 5 l/min (1.32 US gpm)

TYPE: **VOSL/V1516/S10F2/G5.p8.PR/ac** CODE: 1515732204

DESCRIPTION: Steel body, Pilot ratio 1:8, range 150-350 bar  
(2175-5075 psi), std setting 280 bar (4060 psi) @ 5 l/min (1.32 US gpm)

TYPE: **VOSL/V1516/S10F2/G5.p0.PR/ac** CODE: 1515732205

DESCRIPTION: Steel body, zero differential pilot ratio, range 50-350 bar  
(725-5075 psi), std setting 280 bar (4060 psi) @ 5 l/min (1.32 US gpm)

**Ordering codes and description composition**

**VOSL/V1516 Complete valves**

**Vented (V) configuration with G2/4 thread**

TYPE: **VOSL/V1516/34/G5.p4.PR/ac** CODE: 1514742100  
DESCRIPTION: Steel body, pilot ratio 1:4, range 150-350 bar (2175-5075 psi), std setting 280 bar (4060 psi) @ 5 l/min (1.32 US gpm)  
TYPE: **VOSL/V1516/34/G5.p8.PR/ac** CODE: 1514742101  
DESCRIPTION: Steel body, pilot ratio 1:8, range 150-350 bar (2175-5075 psi), std setting 280 bar (4060 psi) @ 5 l/min (1.32 US gpm)  
TYPE: **VOSL/V1516/34/G5.p0.PR/ac** CODE: 1514742102  
DESCRIPTION: Steel body, zero differential pilot ratio, range 50-350 bar (725-5075 psi), std setting 280 bar (4060 psi) @ 5 l/min (1.32 US gpm)

**Vented (V) configuration with G3/4 thread and F1 flange**

TYPE: **VOSL/V1516/34F1/G5.p4.PR/ac** CODE: 1515742100  
DESCRIPTION: Steel body, pilot ratio 1:4, range 150-350 bar (2175-5075 psi), std setting 280 bar (4060 psi) @ 5 l/min (1.32 US gpm)  
TYPE: **VOSL/V1516/34F1/G5.p8.PR/ac** CODE: 1515742101  
DESCRIPTION: Steel body, pilot ratio 1:8, range 150-350 bar (2175-5075 psi), std setting 280 bar (4060 psi) @ 5 l/min (1.32 US gpm)  
TYPE: **VOSL/V1516/34F1/G5.p0.PR/ac** CODE: 1515742102  
DESCRIPTION: Steel body, zero differential pilot ratio, range 50-350 bar (725-5075 psi), std setting 280 bar (4060 psi) @ 5 l/min (1.32 US gpm)

**Vented (V) configuration with G3/4 thread and F2 flange**

TYPE: **VOSL/V1516/34F2/G5.p4.PR/ac** CODE: 1515742103  
DESCRIPTION: Steel body, pilot ratio 1:4, range 150-350 bar (2175-5075 psi), std setting 280 bar (4060 psi) @ 5 l/min (1.32 US gpm)  
TYPE: **VOSL/V1516/34F2/G5.p8.PR/ac** CODE: 1515742104  
DESCRIPTION: Steel body, pilot ratio 1:8, range 150-350 bar (2175-5075 psi), std setting 280 bar (4060 psi) @ 5 l/min (1.32 US gpm)  
TYPE: **VOSL/V1516/34F2/G5.p0.PR/ac** CODE: 1515742105  
DESCRIPTION: Steel body, zero differential pilot ratio, range 50-350 bar (725-5075 psi), std setting 280 bar (4060 psi) @ 5 l/min (1.32 US gpm)

For other configurations please contact our Sales Dpt.

**VOSL/V1516 Complete valves**

**Vented (V) configuration with SAE12 thread**

TYPE: **VOSL/V1516/S12/G5.p4.PR/ac** CODE: 1514742200  
DESCRIPTION: Steel body, pilot ratio 1:4, range 150-350 bar (2175-5075 psi), std setting 280 bar (4060 psi) @ 5 l/min (1.32 US gpm)  
TYPE: **VOSL/V1516/S12/G5.p8.PR/ac** CODE: 1514742201  
DESCRIPTION: Steel body, pilot ratio 1:8, range 150-350 bar (2175-5075 psi), std setting 280 bar (4060 psi) @ 5 l/min (1.32 US gpm)  
TYPE: **VOSL/V1516/S12/G5.p0.PR/ac** CODE: 1514742202  
DESCRIPTION: Steel body, zero differential pilot ratio, range 50-350 bar (725-5075 psi), std setting 280 bar (4060 psi) @ 5 l/min (1.32 US gpm)

**Vented (V) configuration with SAE12 thread and F1 flange**

TYPE: **VOSL/V1516/S12F1/G5.p4.PR/ac** CODE: 1515742100  
DESCRIPTION: Steel body, pilot ratio 1:4, range 150-350 bar (2175-5075 psi), std setting 280 bar (4060 psi) @ 5 l/min (1.32 US gpm)  
TYPE: **VOSL/V1516/S12F1/G5.p8.PR/ac** CODE: 1515742101  
DESCRIPTION: Steel body, pilot ratio 1:8, range 150-350 bar (2175-5075 psi), std setting 280 bar (4060 psi) @ 5 l/min (1.32 US gpm)  
TYPE: **VOSL/V1516/S12F1/G5.p0.PR/ac** CODE: 1515742102  
DESCRIPTION: Steel body, zero differential pilot ratio, range 50-350 bar (725-5075 psi), std setting 280 bar (4060 psi) @ 5 l/min (1.32 US gpm)

**Vented (V) configuration with SAE12 thread and F2 flange**

TYPE: **VOSL/V1516/S12F2/G5.p4.PR/ac** CODE: 1515742103  
DESCRIPTION: Steel body, pilot ratio 1:4, range 150-350 bar (2175-5075 psi), std setting 280 bar (4060 psi) @ 5 l/min (1.32 US gpm)  
TYPE: **VOSL/V1516/S12F2/G5.p8.PR/ac** CODE: 1515742104  
DESCRIPTION: Steel body, pilot ratio 1:8, range 150-350 bar (2175-5075 psi), std setting 280 bar (4060 psi) @ 5 l/min (1.32 US gpm)  
TYPE: **VOSL/V1516/S12F2/G5.p0.PR/ac** CODE: 1515742105  
DESCRIPTION: Steel body, zero differential pilot ratio, range 50-350 bar (725-5075 psi), std setting 280 bar (4060 psi) @ 5 l/min (1.32 US gpm)

For other configurations please contact our Sales Dpt.

**1 Pressure setting spring**

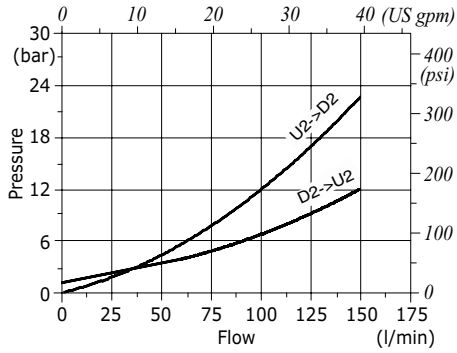
TYPE	CODE	DESCRIPTION
<b>For 1:4 and zero differential pilot ratio</b>		
<b>3</b>	3MOL316450	For range 100-210 bar (725-3050 psi)
<b>5</b>	3MOL316430	For range 150-350 bar (2175-5075 psi)
<b>7</b>	3MOL316411	For range 200-400 bar (2900-5800 psi)
<b>For 1:8 pilot ratio</b>		
<b>5</b>	3MOL316450	For range 150-350 bar (2175-5075 psi)
<b>7</b>	3MOL316430	For range 200-400 bar (2900-5800 psi)

**2 Antitampering cap**

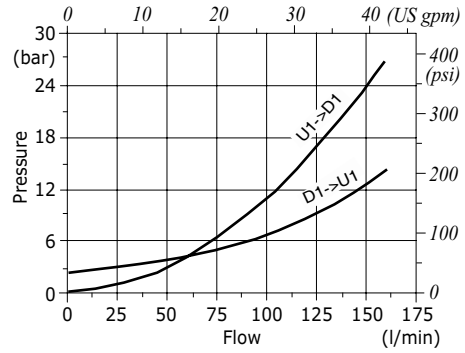
TYPE	CODE	DESCRIPTION
<b>G</b>	-	Screw setting
<b>Z</b>	4COP140311	Antitampering cap

## Rating diagrams

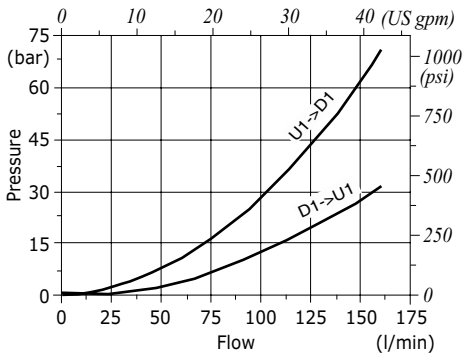
**VOSL/(N-V) 1516 (12-34) pressure drop vs. flow from D2->U2 and U2->D2**



**VOSL/(N-V) 1516 (12-34) pressure drop vs. flow from D1->U1 and U1->D1 pilot ratio 1:4**



**VOSL/(N-V) 1516 (12-34) pressure drop vs. flow from D1->U1 and U1->D1 pilot ratio 1:8**



**VOSL/(N-V) 1516 (12-34) pressure drop vs. flow from D1->U1 and U1->D1 zero differential pilot ratio**

