

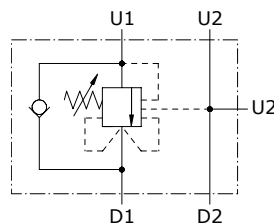
## Type VOSL/CC counterbalance valves

- Single acting
- Relief compensated

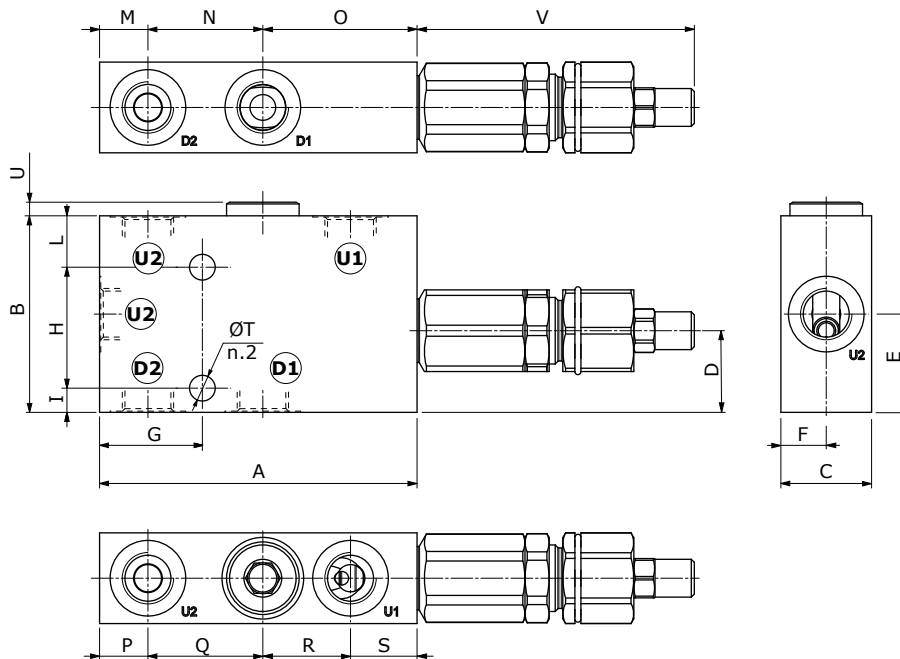
Technical specifications and diagrams are measured with mineral oil of 46 cSt viscosity at 40°C (104°F) temperature.

	VOSL/CC 38	VOSL/CC 12	VOSL/CC 34	VOSL/CC 100	
Nominal flow	35 l/min (9.2 US gpm)	70 l/min (18.4 US gpm)	100 l/min (26.4 US gpm)	180 l/min (47.6 US gpm)	
Max. pressure	Aluminium body = 210 bar (3050 psi) Steel body = 350 bar (5100 psi)				
Oil leakage	0.25 cm <sup>3</sup> /min - 0.015 in <sup>3</sup> /min. (5 drops) at 210 bar - 3050 psi at 80% of pressure setting				
Fluid	mineral based oil				
Viscosity	from 10 to 200 cSt				
Max. level of contamination	18/16/13 ISO4406				
Fluid temperature	with NBR seals from -20°C (-4°F) to 80°C (176°F)				
Environmental temp. for working conditions	from -40°C (-40°F) to 100°C (212°F)				
Weight	aluminium	1.01 kg (2.23 lb)	1.16 kg (2.56 lb)	1.94 kg (4.28 lb)	3.33 kg (7.34 lb)
	steel	1.81 kg (3.99 lb)	2.11 kg (4.65 lb)	3.61 kg (7.96 lb)	7.07 kg (15.5 lb)

NOTE - For different conditions, please contact Walvoil Sales Dpt.



### Dimensions



Valve type	D1	D2	U1	U2
VOSL/CC 38	G3/8	G3/8		
VOSL/CC 12	G1/2	G1/2		
VOSL/CC 34	G3/4	G3/4		
VOSL/CC 100	G1"	G1"		

Dimensions are in mm-in

Valve type	A	B	C	D	E	F	G	H	I	L	M	N	O	P	Q	R	S	ØT	U	V
VOSL/CC 38	105	65	30	27	32.5	15	34	40	8	17	16	38	51	16	38	29	22	8.5	4.5	92.2
	4.13	2.56	1.18	1.06	1.30	0.59	1.34	1.57	0.315	0.67	0.63	1.50	2.01	0.63	1.50	1.14	0.87	0.335	0.177	3.63
VOSL/CC 12	112	70	35	31	35	17.5	37	48	8	14	17.5	44	50.5	17.5	45	28	21.5	8.5	4.5	99.7
	4.41	2.76	1.38	1.22	1.38	0.69	1.46	1.89	0.315	0.55	0.69	1.73	1.99	0.69	1.77	1.10	0.85	0.335	0.177	3.93
VOSL/CC 34	140	90	40	36	45	20	52	70	10	10	22	53	65	22	53	35	30	10.5	5.5	101.7
	5.51	3.54	1.57	1.42	1.77	0.79	2.05	2.76	0.394	0.394	0.87	2.09	2.56	0.87	2.09	1.38	1.18	0.413	0.217	4.00
VOSL/CC 100	174	100	60	37	50	37	64	80	10	10	32	66	76	32	66	46	30	10.5	12.5	101.7
	6.85	3.64	2.36	1.46	1.97	1.46	2.52	3.15	0.394	0.394	1.26	2.60	2.99	1.26	2.60	1.81	1.18	0.413	0.492	4.00

### Ordering codes

#### VOSL/CC complete valves

TYPE: **VOSL/CC 38/TR.S.p4** CODE: 1514921100  
 DESCRIPTION: Aluminium body, G3/8 ports, pilot ratio 1:4, range 50-350 bar (725-5075 psi), std setting 280 bar (4060 psi) @ 5 l/min (1.32 US gpm)

TYPE: **VOSL/CC 12/TR.S.p7** CODE: 1514931100  
 DESCRIPTION: Aluminium body, G1/2 ports, pilot ratio 1:7, range 50-350 bar (725-5075 psi), std setting 280 bar (4060 psi) 5 l/min (1.32 US gpm)

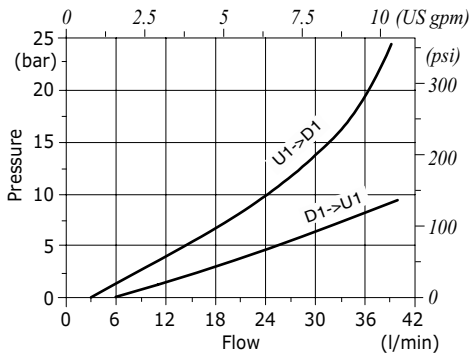
TYPE: **VOSL/CC 34/TR.S.p7** CODE: 1514941101  
 DESCRIPTION: Aluminium body, G3/4 ports, pilot ratio 1:7, range 50-350 bar (725-5075 psi), std setting 280 bar (4060 psi) 5 l/min (1.32 US gpm)

TYPE: **VOSL/CC 100/TR.S.p7** CODE: 1514951100  
 DESCRIPTION: Aluminium body, G1" ports, pilot ratio 1:7, range 50-350 bar (725-5075 psi), std setting 280 bar (4060 psi) 5 l/min (1.32 US gpm)

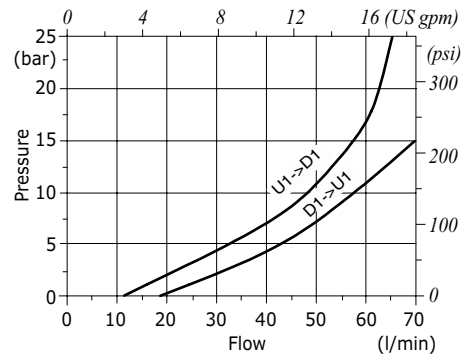
For other configurations and steel body, please contact our Sales Dpt

**Rating diagrams**

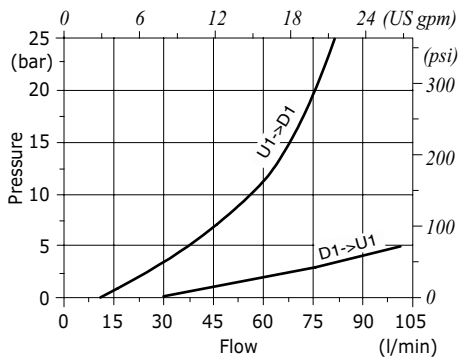
**VOSL/CC 38 pressure drop vs. flow from D1->U1 and U1->D1**



**VOSL/CC 12 pressure drop vs. flow from D1->U1 and U1->D1**



**VOSL/CC 34 pressure drop vs. flow from D1->U1 and U1->D1**



**VOSL/CC 100 pressure drop vs. flow from D1->U1 and U1->D1**

