



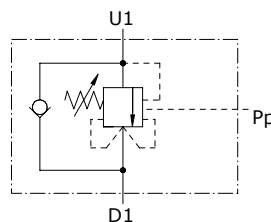
Type VOSLP/CC counterbalance valves

- Single acting
- Relief compensated

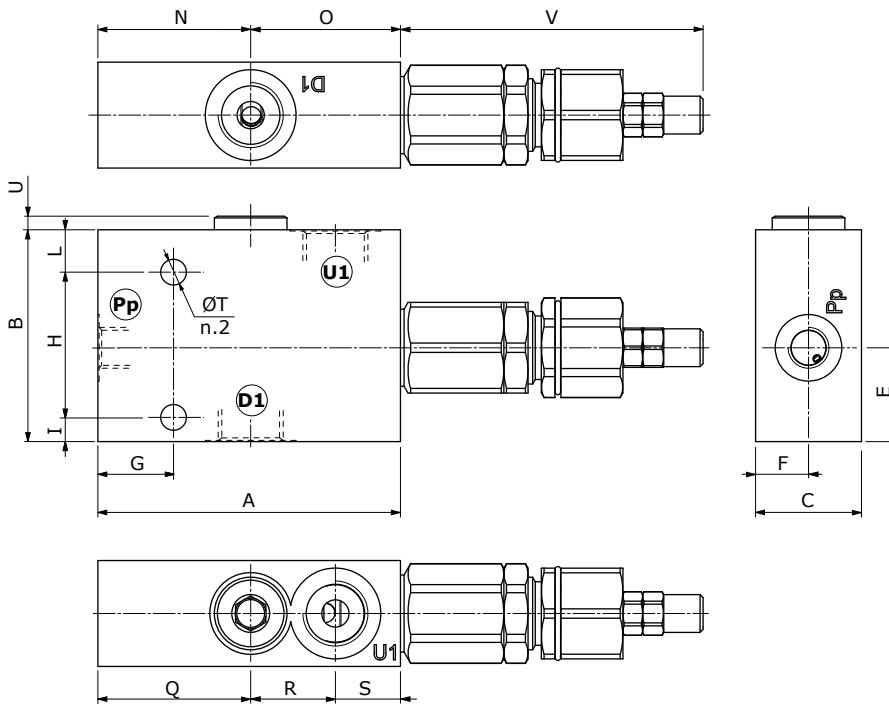
Technical specifications and diagrams are measured with mineral oil of 46 cSt viscosity at 40°C (104°F) temperature.

	VOSLP/CC 38	VOSLP/CC 12	VOSLP/CC 34	VOSLP/CC 100	
Nominal flow	35 l/min (9.2 US gpm)	70 l/min (18.5 US gpm)	100 l/min (26.4 US gpm)	180 l/min (47.6 US gpm)	
Max. pressure	Aluminium body = 210 bar (3050 psi) Steel body = 350 bar (5100 psi)				
Oil leakage	0.25 cm ³ /min - 0.015 in ³ /min. (5 drops) at 210 bar - 3050 psi at 80% of pressure setting				
Fluid	mineral based oil				
Viscosity	from 10 to 200 cSt				
Max. level of contamination	18/16/13 ISO4406				
Fluid temperature	with NBR seals from -20°C (-4°F) to 80°C (176°F)				
Environmental temp. for working conditions	from -40°C (-40°F) to 100°C (212°F)				
Weight	<i>aluminium</i>	1.01 kg (2.23 lb)	1.13 kg (2.49 lb)	1.83 kg (4.03 lb)	2.98 kg (6.57 lb)
	<i>steel</i>	1.70 kg (3.75 lb)	2.01 kg (4.43 lb)	3.37 kg (7.43 lb)	6.26 kg (13.8 lb)

NOTE - For different conditions, please contact Walvoil Sales Dpt.



Dimensions



Valve type	D1	U1	Pp
VOSLP/CC 38	G3/8	G1/4	G1/4
VOSLP/CC 12	G1/2	G1/4	G1/4
VOSLP/CC 34	G3/4	G1/4	G1/4
VOSLP/CC 100	G1"	G1/4	G1/4

Dimensions are in mm-in

Valve type	A	B	C	E	F	G	H	I	L	N	O	Q	R	S	$\varnothing T$	V
VOSLP/CC 38	98 3.86	65 2.56	30 1.18	27 1.06	15 0.59	27 1.06	40 1.57	8 0.315	17 0.70	47 1.85	51 2.01	47 1.85	29 1.14	22 0.87	8.5 0.335	92.2 3.63
VOSLP/CC 12	100 3.94	70 2.76	35 1.38	31 1.22	17.5 0.69	25 0.98	48 1.89	8 0.315	14 0.551	50.5 1.99	49.5 1.95	50.5 1.99	28 1.10	21.5 0.85	8.5 0.335	99.7 3.93
VOSLP/CC 34	120 4.72	90 3.54	40 1.57	36 1.42	20 0.79	32 1.26	70 2.76	10 0.394	10 0.394	55 2.16	65 2.56	55 2.17	35 1.38	30 1.18	10.5 0.41	101.7 4.00
VOSLP/CC 100	140 5.51	100 3.94	60 2.36	37 1.46	30 1.18	30 1.18	80 3.15	10 0.394	10 0.394	64 2.52	76 2.99	64 2.52	46 1.81	30 1.18	10.5 0.41	101.7 4.00

Ordering codes

VOSLP/CC complete valves

TYPE: **VOSLP/CC 38/TR.S.p4** CODE: 1534921100

DESCRIPTION: Aluminium body, G3/8 ports, pilot ratio 1:4, range 50-350 bar (725-5075 psi), std setting 280 bar (4060 psi) @ 5 l/min (1.32 US gpm)

TYPE: **VOSLP/CC 12/TR.S.p7** CODE: 1534931100

DESCRIPTION: Aluminium body, G1/2 ports, pilot ratio 1:7, range 50-350 bar (725-5075 psi), std setting 280 bar (4060 psi) @ 5 l/min (1.32 US gpm)

TYPE: **VOSLP/CC 34/TR.S.p7** CODE: 1534941100

DESCRIPTION: Aluminium body, G3/4 ports, pilot ratio 1:7, range 50-350 bar (725-5075 psi), std setting 280 bar (4060 psi) @ 5 l/min (1.32 US gpm)

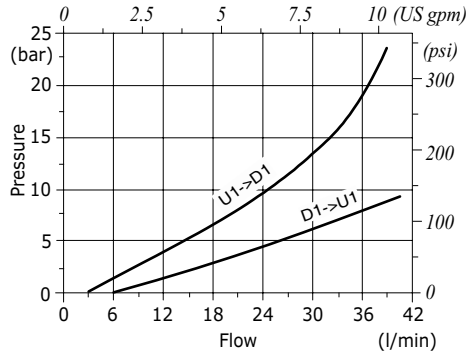
TYPE: **VOSLP/CC 100/TR.S.p7** CODE: 1534951100

DESCRIPTION: Aluminium body, G1" ports, pilot ratio 1:7, range 50-350 bar (725-5075 psi), std setting 280 bar (4060 psi) @ 5 l/min (1.32 US gpm)

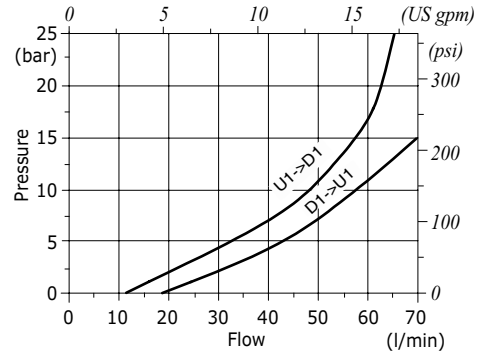
For other configurations and steel body, please contact our Sales Dept.

Rating diagrams

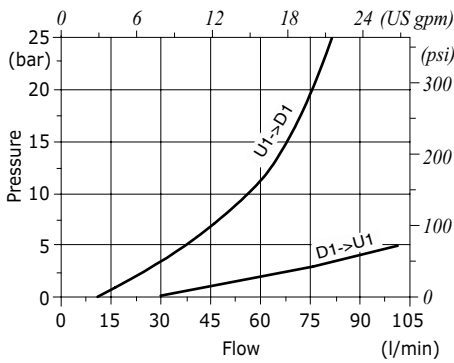
VOSLP/CC 38 pressure drop vs. flow from D1->U1 and U1->D1



VOSLP/CC 12 pressure drop vs. flow from D1->U1 and U1->D1



VOSLP/CC 34 pressure drop vs. flow from D1->U1 and U1->D1



VOSLP/CC 100 pressure drop vs. flow from D1->U1 and U1->D1

