



## Type VOSLP/N78/.... counterbalance valves

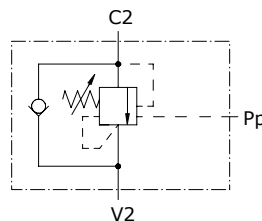
- Single acting
- External pilot

Technical specifications and diagrams are measured with mineral oil of 46 cSt viscosity at 40°C (104°F) temperature.

### VOSLP/N78 - VOSLP/N78/..PB

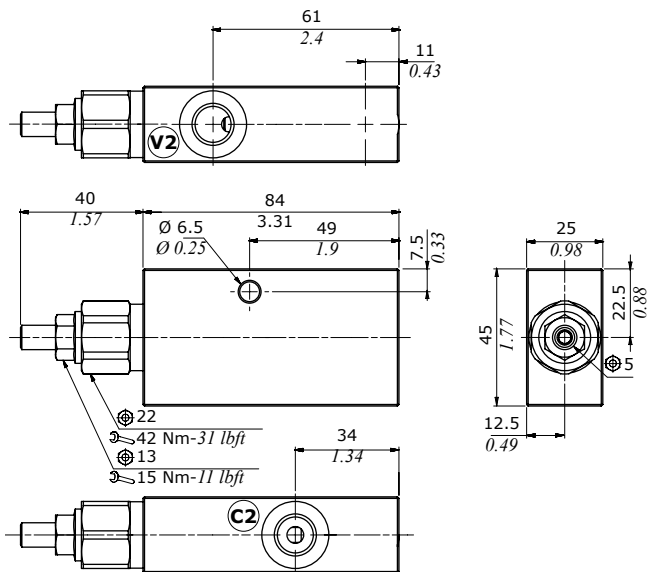
Nominal flow	40 l/min (10.57 US gpm)
Max. pressure	Steel body = 350 bar (5100 psi)
Oil leakage	0.25 cm <sup>3</sup> /min - 0.015 in <sup>3</sup> /min. (5 drops) at 80% of pressure setting
Fluid	mineral based oil
Viscosity	from 10 to 200 cSt
Max. level of contamination	18/16/13 ISO4406
Fluid temperature	with NBR seals from -20°C (-4°F) to 80°C (176°F)
Environmental temp. for working conditions	from -40°C (-40°F) to 100°C (212°F)
	steel 0.723 kg (1.59 lb)

NOTE - For different conditions, please contact Walvoil Sales Dpt.



### Dimensions

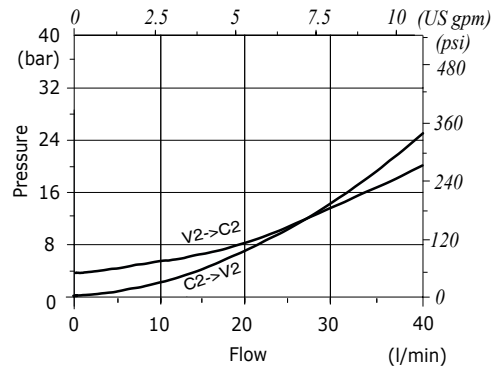
#### VOSLP/N78/14



Valve type	<b>V1</b>	<b>V2</b>	<b>C1</b>	<b>C2</b>
VOSLP/N78/14	G1/4	G1/4		
Valve type	<b>V1</b>	<b>V2</b>	<b>C1</b>	<b>C2</b>
VOSLP/N78/S6	SAE6	SAE6		

### Rating diagrams

Pressure drop vs. flow  
from C2->V2 and V2->C2

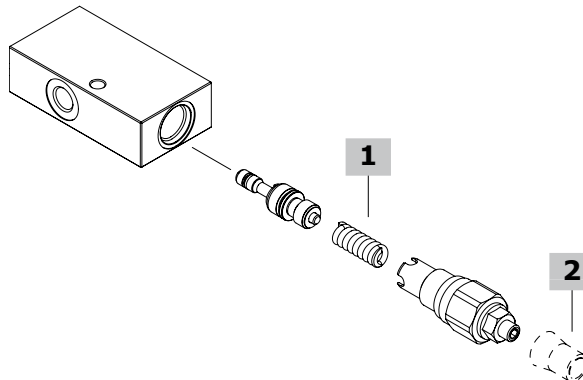


### Ordering codes and description composition

Port size  
VOSLP/N78/14/G3.p4/ac



#### VOSLP/N78



#### VOSLP/N78 complete valves

TYPE: **VOSLP/N78/14/G5.p4/ac** CODE: 1533612100  
DESCRIPTION: Steel body, pilot ratio 1:4, range 100-350 bar (1450-5075 psi), standard setting 280 bar (4060 psi) @ 5 l/min (1.32 US gpm)

TYPE: **VOSLP/N78/14/G3.p4/ac** CODE: 1533612101  
DESCRIPTION: Steel body, pilot ratio 1:4, range 60-220 bar (870-3190 psi), standard setting 150 bar (2170 psi) @ 5 l/min (1.32 US gpm)

TYPE: **VOSLP/N78/S6/G5.p4/ac** CODE: 1533612200  
DESCRIPTION: Steel body, pilot ratio 1:4, range 100-350 bar (1450-5075 psi), standard setting 280 bar (4060 psi) @ 5 l/min (1.32 US gpm)

TYPE: **VOSLP/N78/S6/G3.p4/ac** CODE: 1533612201  
DESCRIPTION: Steel body, pilot ratio 1:4, range 60-220 bar (870-3190 psi), standard setting 150 bar (2170 psi) @ 5 l/min (1.32 US gpm)

#### 1 Pressure setting spring

TYPE	CODE	DESCRIPTION
<b>3</b>	3MOL310282	For range 60-220 bar (870-3190 psi) standard setting 150 bar (2170 psi) @ 5 l/min (1.32 US gpm)
<b>5</b>	380113	For range 100-350 bar (1450-5075 psi) standard setting 280 bar (4060 psi) @ 5 l/min (1.32 US gpm)

#### 2 Setting type

TYPE	CODE	DESCRIPTION
<b>G</b>	-	Screw setting
<b>Z</b>	4COP120420	Antitampering cap