



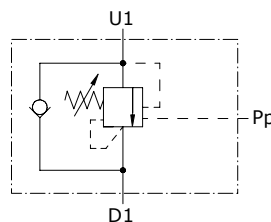
Type VOSLP/SC counterbalance valves

- Single acting
- Load sensitive

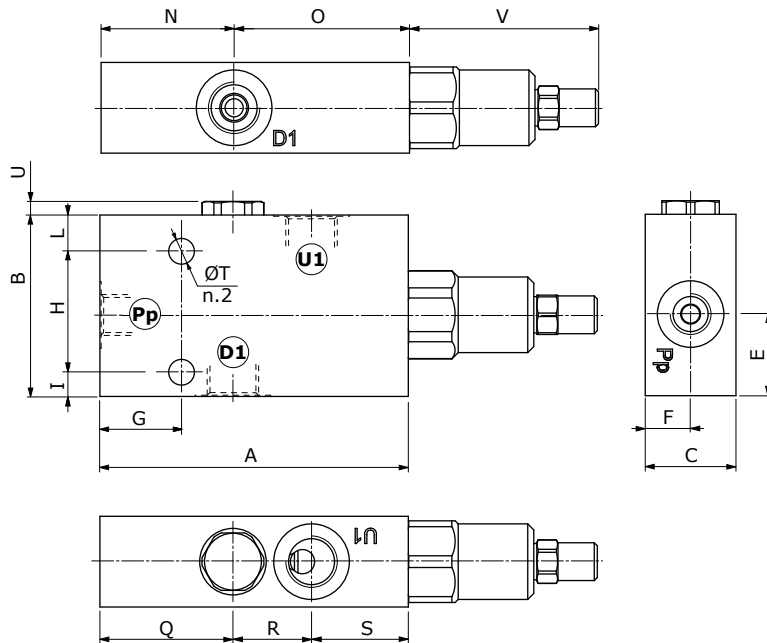
Technical specifications and diagrams are measured with mineral oil of 46 cSt viscosity at 40°C (104°F) temperature.

	VOSLP/SC 38	VOSLP/SC 12	VOSLP/SC 34	VOSLP/SC 100	
Nominal flow	40 l/min (10.6 US gpm)	75 l/min (19.8 US gpm)	120 l/min (31.7 US gpm)	180 l/min (47.6 US gpm)	
Max. pressure	Aluminium body = 210 bar (3050 psi) Steel body = 350 bar (5100 psi)				
Oil leakage	0.25 cm ³ /min - 0.015 in ³ /min. (5 drops) at 210 bar - 3050 psi at 80% of pressure setting				
Fluid	mineral based oil				
Viscosity	from 10 to 200 cSt				
Max. level of contamination	18/16/13 ISO4406				
Fluid temperature	with NBR seals from -20°C (-4°F) to 80°C (176°F)				
Environmental temp. for working conditions	from -40°C (-40°F) to 100°C (212°F)				
Weight	aluminium	0.68 kg (1.50 lb)	0.95 kg (2.09 lb)	1.40 kg (3.09 lb)	2.70 kg (5.95 lb)
	steel	1.41 kg (3.11 lb)	2.03 kg (4.47 lb)	3.20 kg (7.05 lb)	6.52 kg (14.37 lb)

NOTE - For different conditions, please contact Walvoil Sales Dpt.



Dimensions



Valve type	D1	U1	Pp
VOSLP/SC 38	G3/8	G1/4	G1/4
VOSLP/SC 12	G1/2	G1/4	G1/4
VOSLP/SC 34	G3/4	G1/4	G1/4
VOSLP/SC 100	G1"	G1/4	G1/4

Dimensions are in mm-in

Valve type	A	B	C	E	F	G	H	I	L	N	O	Q	R	S	ØT	V
VOSLP/SC 38	102	60	30	27	15	27	40	8	12	44	58	44	26	32	8.5	62.5
	4.02	2.36	1.18	1.06	0.59	1.06	1.57	0.315	0.472	1.73	2.28	1.73	1.02	1.26	0.335	2.46
VOSLP/SC 12	110	70	35	31	17.5	30	48	8	14	50	60	50	28	32	8.5	63.5
	4.33	2.76	1.38	1.22	0.69	1.18	1.89	0.315	0.551	1.97	2.36	1.97	1.10	1.26	0.335	2.48
VOSLP/SC 34	123	90	40	36	20	31	70	10	10	55	68	55	34	34	10.5	63.5
	4.84	3.54	1.57	1.42	0.78	1.22	2.76	0.394	0.394	2.17	2.68	2.17	1.34	1.34	0.413	2.48
VOSLP/SC 100	153	100	30	38	30	37	80	10	10	70	83	70	48	35	10.5	63.5
	6.02	3.94	1.18	1.38	1.18	1.46	3.15	0.394	0.394	2.76	3.27	2.76	1.89	1.38	0.413	2.48

Ordering codes

VOSLP/SC complete valves

TYPE: **VOSLP/SC 38/TR.S.p4** CODE: 1540021102
 DESCRIPTION: Aluminium body, G3/8 ports, pilot ratio 1:4, range 50-350 bar (725-5075 psi), std setting 280 bar (4060 psi) @ 5 l/min (1.32 US gpm)

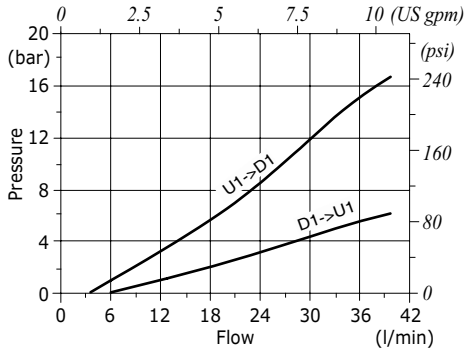
TYPE: **VOSLP/SC 12/TR.S.p7** CODE: 1540031102
 DESCRIPTION: Aluminium body, G1/2 ports, pilot ratio 1:7, range 50-350 bar (725-5075 psi), std setting 280 bar (4060 psi) @ 5 l/min (1.32 US gpm)

TYPE: **VOSLP/SC 34/TR.S.p7** CODE: 1540041102
 DESCRIPTION: Aluminium body, G3/4 ports, pilot ratio 1:7, range 50-350 bar (725-5075 psi), std setting 280 bar (4060 psi) @ 5 l/min (1.32 US gpm)

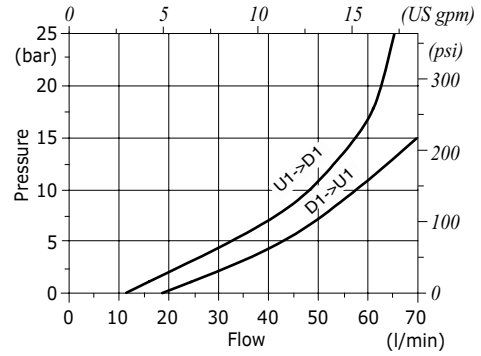
TYPE: **VOSLP/SC 100/TR.S.p7** CODE: 1540051102
 DESCRIPTION: Aluminium body, G1" ports, pilot ratio 1:7, range 50-350 bar (725-5075 psi), std setting 280 bar (4060 psi) @ 5 l/min (1.32 US gpm)

For other configurations and steel body, please contact our Sales Dept.

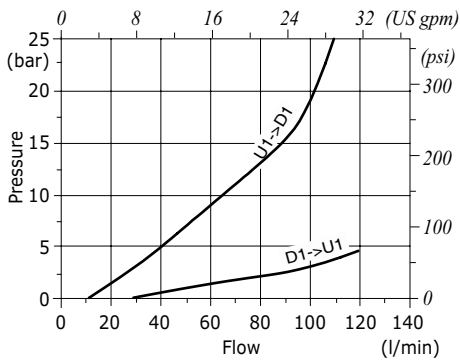
VOSLP/SC 38 pressure drop vs. flow from D1->U1 and U1->D1



VOSLP/SC 12 pressure drop vs. flow from D1->U1 and U1->D1



VOSLP/SC 34 pressure drop vs. flow from D1->U1 and U1->D1



VOSLP/SC 100 pressure drop vs. flow from D1->U1 and U1->D1

