

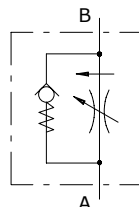
Type VPR/2/RL/EX flow control pressure compensated valves

- With check valve
- Compensated

Technical specifications and diagrams are measured with mineral oil of 46 cSt viscosity at 40°C (104°F) temperature.

	VPR/2/RL/EX 14/V	VPR/2/RL/EX 38/V	VPR/2/RL/EX 12/V
Nominal flow	17 l/min (4.5 US gpm)	17 l/min (4.5 US gpm)	35 l/min (9.2 US gpm)
Nominal flow from B to A	25 l/min (6.6 US gpm)	30 l/min (7.9 US gpm)	45 l/min (11.9 US gpm)
Max. pressure	300 bar (4350 psi)	300 bar (4350 psi)	250 bar (3600 psi)
Fluid	mineral based oil		
Viscosity	from 10 to 200 cSt		
Max. level of contamination	18/16/13 ISO4406		
Fluid temperature	with NBR seals from -20°C (-4°F) to 80°C (176°F)		
Environmental temperature for working conditions	from -40°C (-40°F) to 100°C (212°F)		
Weight	steel 0.52 kg (1.15 lb)	0.50 kg (1.1 lb)	0.69 kg (1.52 lb)

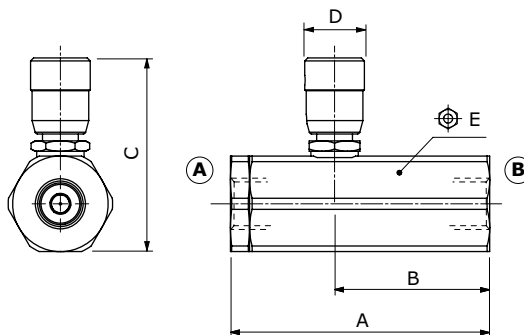
NOTE - For different conditions, please contact Walvoil Sales Dpt.



Dimensions

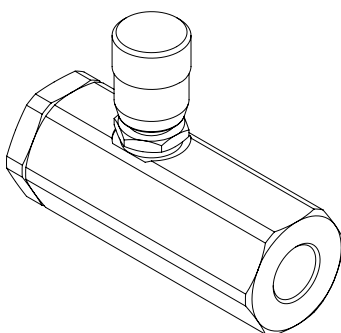
Dimensions are in mm-in

Valve type	All ports	A	B	C	D	⌀E
VPR/2/RL/EX 14/V	G1/4	87 - 3.42	52.5 - 2.07	68 - 2.68	20 - 0.79	32
VPR/2/RL/EX 38/V	G3/8	87 - 3.42	52.5 - 2.07	68 - 2.68	20 - 0.79	32
VPR/2/RL/EX 12/V	G1/2	107 - 4.21	61 - 2.40	71 - 2.79	20 - 0.79	36



Ordering codes and description composition

VPR/2/RL/EX **14/V** Port size



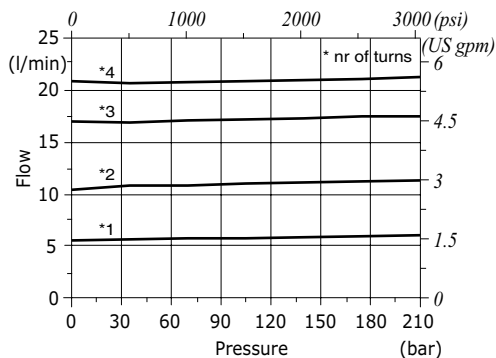
VRFU90C complete valves

TYPE	CODE	DESCRIPTION
VPR/2/RL/EX 14/V	1605510100	Steel body, G1/4 ports
VPR/2/RL/EX 38/V	1605520100	Steel body, G3/8 ports
VPR/2/RL/EX 12/V	1605530100	Steel body, G1/2 ports

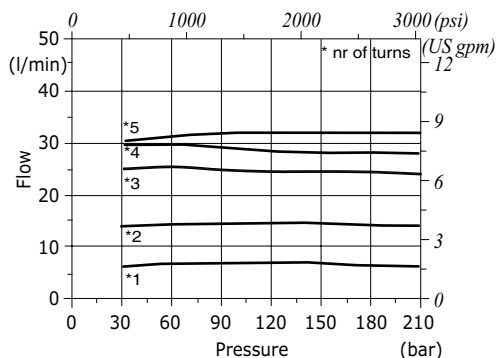
For other steel body configurations or SAE thread please contact our Sales Dpt.

Rating diagram

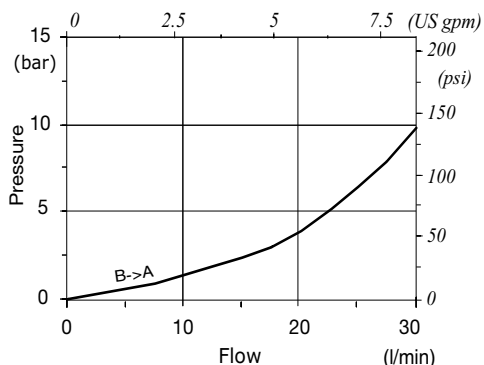
VPR/2/RL/EX 14/V - VPR/2/RL/EX 38/V
pressure drop vs. flow compensated (A→B)



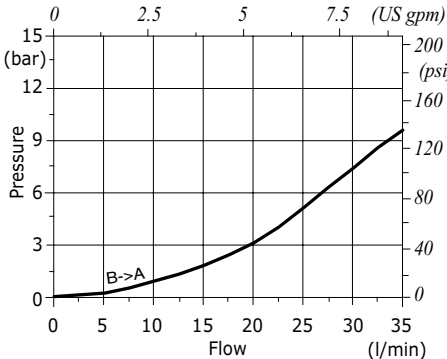
VPR/2/RL/EX 12/V
pressure drop vs. flow compensated (A→B)



VPR/2/RL/EX 14/V
pressure drop vs. flow (B→A)



VPR/2/RL/EX 38/V
pressure drop vs. flow (B→A)



VPR/2/RL/EX 12/V
pressure drop vs. flow (B→A)

