

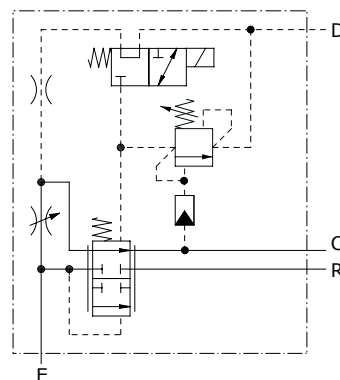
## Type VPR/3/EP/VMP+VE/LPD flow control pressure compensated valves

- 3 ways
- Exceeding flow to pressure
- Electric venting
- With pressure relief valve
- Low pressure drop
- Steel body

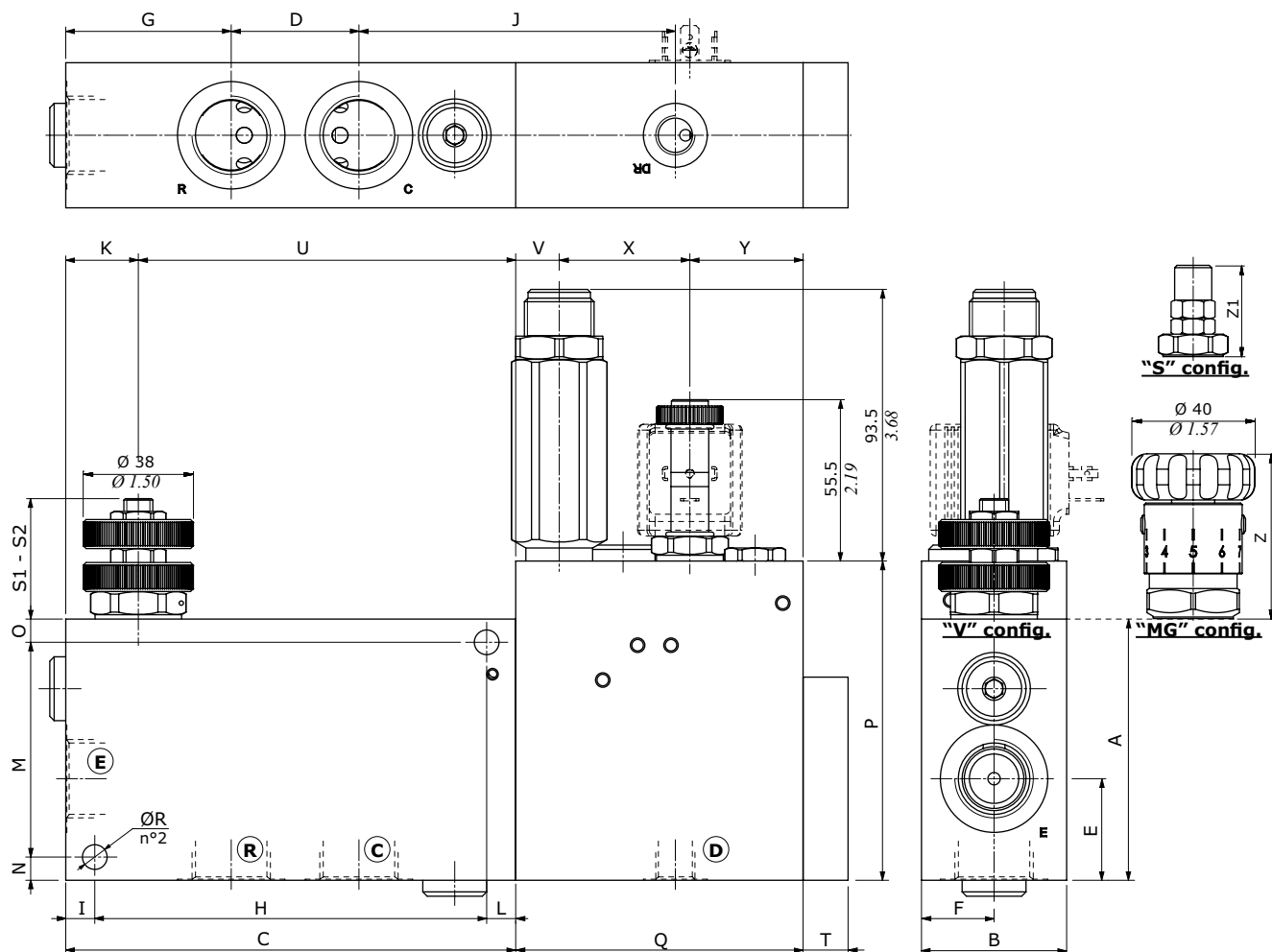
Technical specifications and diagrams are measured with mineral oil of 46 cSt viscosity at 40°C (104°F) temperature.

|  |        | VPR/3/EP 34/VMP+VE/LPD                           | VPR/3/EP 100/VMP+VE/LPD | VPR/3/EP 114/VMP+VE/LPD |
|--|--------|--|-------------------------|-------------------------|
| Max. inlet flow                                  | Line E | 150 l/min (39.6 US gpm)                          | 240 l/min (63.4 US gpm) | 450 l/min (119 US gpm)  |
| Max. regulated flow                              | Line C | 90 l/min (24 US gpm)                             | 150 l/min (39.6 US gpm) | 250 l/min (66 US gpm)   |
| Max. pressure                                    |        | 350 bar (5100 psi)                               |                         |                         |
| Fluid  |        | mineral based oil                                |                         |                         |
| Viscosity  |        | from 10 to 200 cSt                               |                         |                         |
| Max. level of contamination                      |        | 18/16/13 ISO4406                                 |                         |                         |
| Fluid temperature                                |        | with NBR seals from -20°C (-4°F) to 80°C (176°F) |                         |                         |
| Environmental temperature for working conditions |        | from -40°C (-40°F) to 100°C (212°F)              |                         |                         |
| Weight   | steel  | 9.15 kg (20.17 lb)                               | 19 kg (41.89 lb)        | 28 kg (61.73 lb)        |

NOTE - For different conditions, please contact Walvoil Sales Dpt.



Dimensions



| Valve type              | (E)    | (R)    | (C)    | (D)  |
|-------------------------|--------|--------|--------|------|
| VPR/3/EP 34/VMP+VE/LPD  | G3/4   | G3/4   | G3/4   | G1/4 |
| VPR/3/EP 100/VMP+VE/LPD | G1"    | G1"    | G1"    | G1/4 |
| VPR/3/EP 114/VMP+VE/LPD | G1"1/4 | G1"1/4 | G1"1/4 | G1/4 |

Dimensions are in mm-in

| Valve type              | A           | B          | C           | D          | E            | F            | G          | H           | I            | L            | K          | J             | M           | N             |
|-------------------------|-------------|------------|-------------|------------|--------------|--------------|------------|-------------|--------------|--------------|------------|---------------|-------------|---------------|
| VPR/3/EP 34/VMP+VE/LPD  | 90<br>3.54  | 50<br>1.97 | 155<br>6.10 | 44<br>1.73 | 35<br>1.38   | 25<br>0.98   | 57<br>2.24 | 135<br>5.31 | 10<br>0.394  | 10<br>0.394  | 25<br>0.98 | 109<br>4.29   | 74<br>2.91  | 8<br>0.315    |
| VPR/3/EP 100/VMP+VE/LPD | 130<br>5.12 | 65<br>2.56 | 155<br>6.10 | 57<br>2.24 | 67.5<br>2.66 | 32.5<br>1.28 | 50<br>1.97 | 130<br>5.12 | 12.5<br>0.49 | 12.5<br>0.49 | 32<br>1.26 | 121.5<br>4.78 | 109<br>4.29 | 10.5<br>0.413 |
| VPR/3/EP 114/VMP+VE/LPD | 160<br>6.30 | 75<br>2.95 | 184<br>7.24 | 70<br>2.76 | 83<br>3.27   | 37.5<br>1.48 | 60<br>2.36 | 159<br>6.26 | 12.5<br>0.49 | 12.5<br>0.49 | 35<br>1.38 | 147.5<br>5.81 | 135<br>5.31 | 12.5<br>0.49  |

| Valve type              | O             | P             | Q           | ØR           | S1 | S2 | T            | U           | V          | X            | Y            | Z            | Z1           |
|-------------------------|---------------|---------------|-------------|--------------|----|----|--------------|-------------|------------|--------------|--------------|--------------|--------------|
| VPR/3/EP 34/VMP+VE/LPD  | 8<br>0.315    | 110<br>4.33   | 99<br>3.90  | 8.5<br>0.335 | -  | -  | 15.5<br>0.61 | 130<br>5.12 | 15<br>0.59 | 54<br>2.13   | 39<br>1.54   | 56.5<br>2.22 | 38.5<br>1.52 |
| VPR/3/EP 100/VMP+VE/LPD | 10.5<br>0.413 | 147.5<br>5.81 | 113<br>4.45 | 12.5<br>0.49 | -  | -  | 17.5<br>0.69 | 123<br>4.84 | 38<br>1.50 | 35.5<br>1.40 | 39.5<br>1.56 | 56.5<br>2.22 | 38.5<br>1.52 |
| VPR/3/EP 114/VMP+VE/LPD | 12.5<br>0.49  | 160<br>6.30   | 144<br>5.67 | 12.5<br>0.49 | -  | -  | 17.5<br>0.69 | 149<br>5.87 | 49<br>1.93 | 41<br>1.61   | 54<br>2.13   | 56.5<br>2.22 | 41.5<br>1.63 |

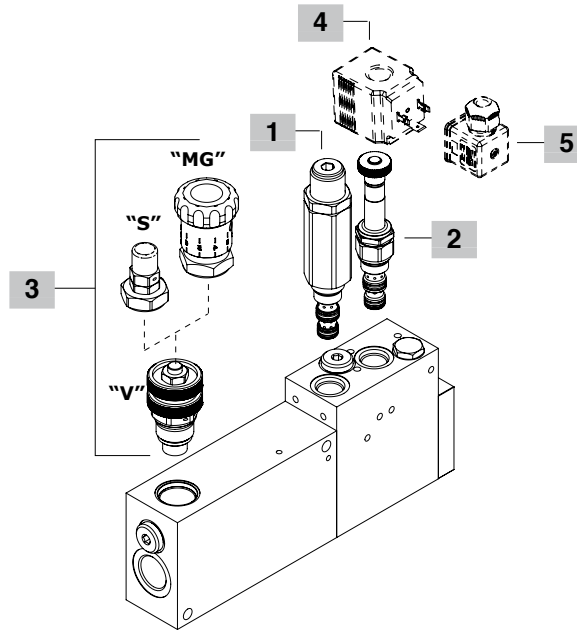
## Flow control valves

Flow control pressure compensated valves

VPR/3/EP/VMP+VE/LPD

### Ordering codes and description composition

Port size  
**VPR/3/EP 34/VMP+VE.NA/LPD/V/VDS.TS/ac**  
1 2 3 1 1



#### VPR/3/EP/VMP+VE/LPD complete valves

*Standard setting 160 bar at 5 l/min (2320 psi at 1.32 US gpm)*

##### Adjustment kit type "V" (handwheel)

TYPE: **VPR/3/EP 34/VMP+VE.NA/LPD/V/VDS.TS/ac**

CODE: 1635042103

DESCRIPTION: steel body, G3/4 ports, setting range 150-300 bar (2175-4350 psi)

TYPE: **VPR/3/EP 100/VMP+VE.NA/LPD/V/VDS.TS/ac**

CODE: 1635052103

DESCRIPTION: steel body, G1" ports, setting range 150-300 bar (2175-4350 psi)

TYPE: **VPR/3/EP 114/VMP+VE/NA/LPD/V/VDS.TS/ac**

CODE: 1635062102

DESCRIPTION: steel body, G1"1/4 ports, setting range 150-300 bar (2175-4350 psi)

For other steel body configurations, SAE thread and configurations with FPM (Viton) seals please contact our Sales Dpt.

#### 1 Pressure relief valve

TYPE: **VDS/3/2 x VPR/3/EP....LPD/TS** CODE: 1208010400

DESCRIPTION: direct type valve, setting range 150-300 bar (2175-4350 psi), standard setting 160 bar at 5 l/min (2320 psi at 1.32 US gpm)

#### 2 Solenoid valve

| TYPE              | CODE        | DESCRIPTION                      |
|-------------------|-------------|----------------------------------|
| <b>MC08A/0S2B</b> | 0EJ08002051 | Normally open (NA) configuration |

#### 3 Adjustment kit

| TYPE                                     | CODE       | DESCRIPTION        |
|--|------------|--------------------|
| <b>For VPR/3/EP 34-100+VMP+VE valves</b> |            |                    |
| <b>V</b>                                 | 5KT6130401 | "V" handwheel type |
| <b>MG</b>                                | 5KT6200400 | "MG" handknob type |
| <b>S</b>                                 | 5KT6130404 | "S" screw type     |
| <b>For VPR/3/EP 114+VMP+VE valve</b>     |            |                    |
| <b>V</b>                                 | 5KT6340603 | "V" handwheel type |
| <b>MG</b>                                | 5KT6200605 | "MG" handknob type |
| <b>S</b>                                 | 5KT6200604 | "S" screw type     |

#### 4 Coils

| TYPE             | CODE        | DESCRIPTION        |
|------------------|-------------|--------------------|
| <b>BER 12VDC</b> | 4SLE001200A | 12VDC-ISO4400 coil |

For complete coils list see from page 433

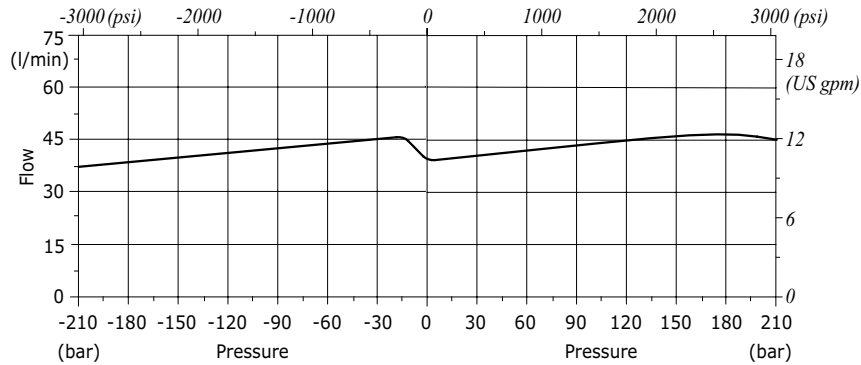
#### 5 Connector

| TYPE           | CODE       | DESCRIPTION |
|----------------|------------|-------------|
| <b>ISO4400</b> | 4CN1009995 | Connector   |

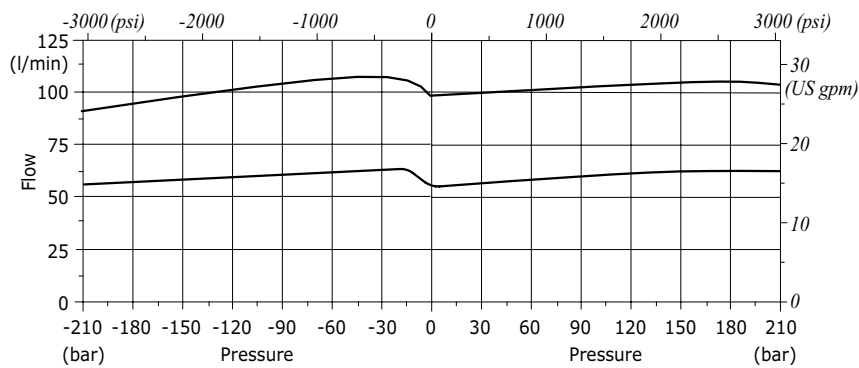
For complete connectors list see from page 433

**Rating diagrams**

**VPR/3/EP 34/VMP+VE/LPD compensation diagram  
in C changing the  $\Delta p$  between E and R**



**VPR/3/EP 100/VMP+VE/LPD compensation diagram  
in C changing the  $\Delta p$  between E and R**



**VPR/3/EP 114/VMP+VE/LPD compensation diagram  
in C changing the  $\Delta p$  between E and R**

