



## Type VPR/3/ET/RL/VMP flow control pressure compensated valves

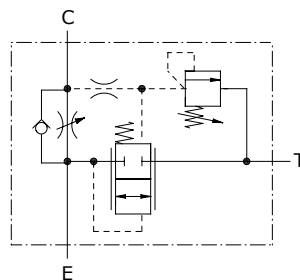
- 3 ways
- With reverse free - flow check
- With pressure relief valve

Technical specifications and diagrams are measured with mineral oil of 46 cSt viscosity at 40°C (104°F) temperature.

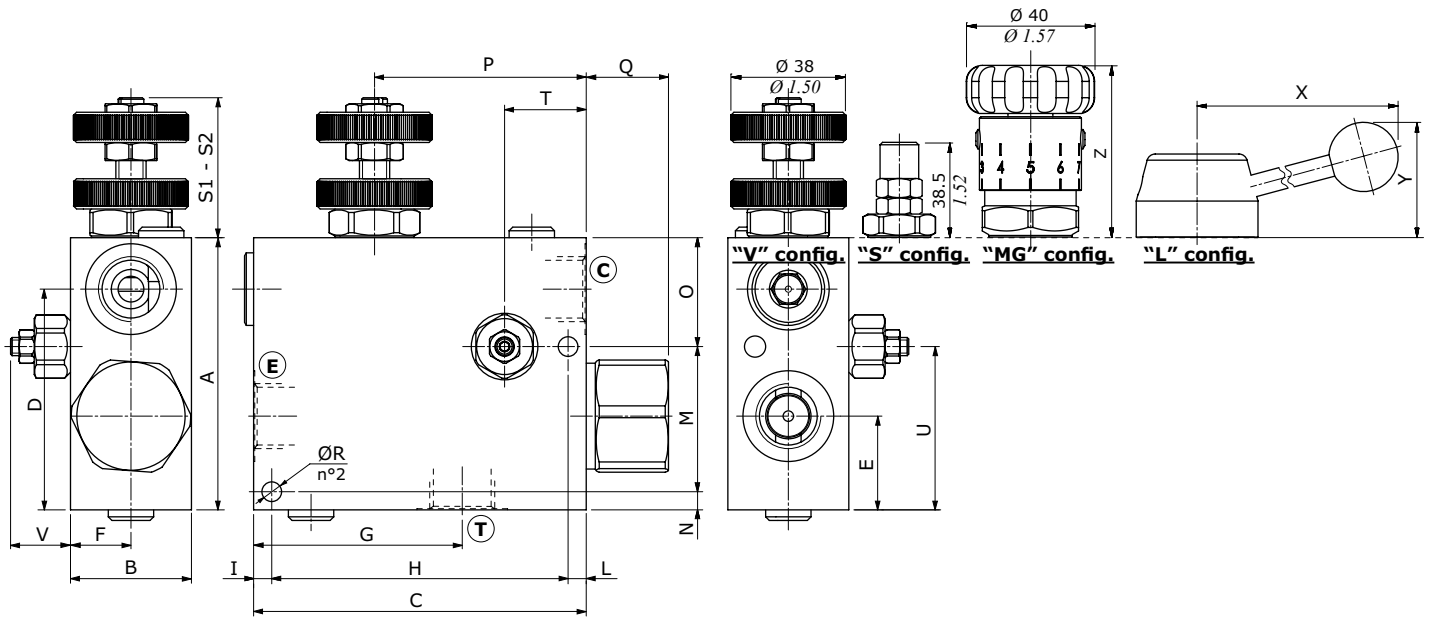
		VPR/3/ET/RL/VMP 38	VPR/3/ET/RL/VMP 12	VPR/3/ET/RL/VMP 34
Max. inlet flow	Line C	50 l/min (13.2 US gpm)	90 l/min (23.8 US gpm)	150 l/min (39.6 US gpm)
Max. regulated flow	Line E	30 l/min (7.9 US gpm)	50 l/min (13.2 US gpm)	90 l/min (23.8 US gpm)
Max. regulated flow "SB"		15 l/min (4.0 US gpm)	25 l/min (6.6 US gpm)	45 l/min (11.9 US gpm)
Max. pressure		Aluminium body = 210 bar (3050 psi) Steel body = 350 bar (5100 psi)		
Fluid		mineral based oil		
Viscosity		from 10 to 200 cSt		
Max. level of contamination		18/16/13 ISO4406		
Fluid temperature		with NBR seals from -20°C (-4°F) to 80°C (176°F)		
Environmental temperature for working conditions		from -40°C (-40°F) to 100°C (212°F)		
Weight	aluminium	1.30 kg (2.86 lb)	1.25 kg (2.75 lb)	2.83 kg (6.24 lb)
	steel	2.78 kg (6.13 lb)	2.68 kg (5.9 lb)	6 kg (13,22 lb)

NOTE - For different conditions, please contact Walvoil Sales Dept.

\*"SB" execution (sensibilized adjustment)



### Dimensions



Valve type	Ⓔ	Ⓓ	Ⓒ
VPR/3/ET/RL/VMP 38	G3/8	G3/8	G3/8
VPR/3/ET/RL/VMP 12	G1/2	G1/2	G1/2
VPR/3/ET/RL/VMP 34	G3/4	G3/4	G3/4

Dimensions are in mm-in

Valve type	A	B	C	D	E	F	G	H	I - L	M	N	O
VPR/3/ET/RL/VMP 38	90-3.54	40-1.57	110-4.33	73-2.87	31-1.22	20-0.78	70-2.75	98-3.86	6-0.236	48-1.89	6-0.24	36-1.42
VPR/3/ET/RL/VMP 12	90-3.54	40-1.57	110-4.33	73-2.87	31-1.22	20-0.78	69-2.72	98-3.86	6-0.236	48-1.89	6-0.24	36-1.42
VPR/3/ET/RL/VMP 34	120-4.72	50-1.97	138-5.43	95-3.74	35-1.38	25-0.98	94-3.70	122-4.80	8-0.315	55.5-2.18	8-0.315	56.5-2.22

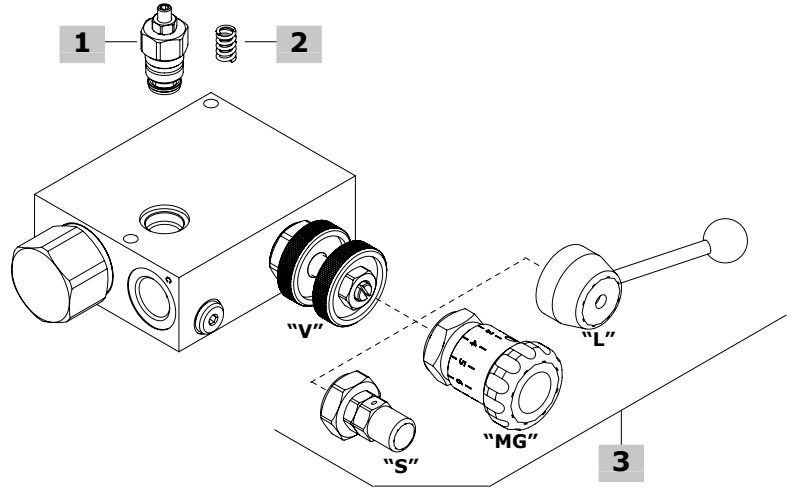
Valve type	P	Q	ØR	S1	S2	U	V	X	Y	Z
VPR/3/ET/RL/VMP 38	70-2.76	27.2-1.07	6.5-0.25	46.3-1.82	52.6-2.07	54-2.13	29.5-1.16	101.3-3.99	47.6-1.87	53.3-2.10
VPR/3/ET/RL/VMP 12	70-2.76	27.2-1.07	6.5-0.25	46.3-1.82	53.1-2.09	54-2.13	29.5-1.16	101.3-3.99	47.6-1.87	53.3-2.10
VPR/3/ET/RL/VMP 34	81.5-3.21	34.5-1.36	8.5-0.33	41.5-1.73	50.5-1.99	65-2.56	29.5-1.16	103.6-4.08	50.1-1.97	56.5-2.22

## Flow control valves

Flow control pressure compensated valves

# VPR/3/ET/RL/VMP

## Ordering codes and description composition



### VPR/3/ET/RL/VMP complete valves

#### Adjustment kit type "V" (handwheel)

TYPE: **VPR/3/ET/RL/VMP 38/V/02.TS** CODE: 1623221101

DESCRIPTION: alum. body, 3/8 ports, setting range 50-220 bar (725-3200 psi)

TYPE: **VPR/3/ET/RL/VMP 12/V/02.TS** CODE: 1623231101

DESCRIPTION: alum. body, 1/2 ports, setting range 50-220 bar (725-3200 psi)

TYPE: **VPR/3/ET/RL/VMP 34/V/02.TS** CODE: 1623241101

DESCRIPTION: alum. body, 3/4 ports, setting range 50-220 bar (725-3200 psi)

TYPE: **VPR/3/ET/RL/VMP 38/V/02.TS/ac** CODE: 1623222100

DESCRIPTION: steel body, 3/8 ports, setting range 50-220 bar (725-3200 psi)

TYPE: **VPR/3/ET/RL/VMP 12/V/02.TS/ac** CODE: 1623232100

DESCRIPTION: steel body, 1/2 ports, setting range 50-220 bar (725-3200 psi)

TYPE: **VPR/3/ET/RL/VMP 34/V/02.TS/ac** CODE: 1623242100

DESCRIPTION: steel body, 3/4 ports, setting range 50-220 bar (725-3200 psi)

#### Adjustment kit type "MG" (handknob)

TYPE: **VPR/3/ET/RL/VMP 38/MG/02.TS** CODE: 1623221103

DESCRIPTION: alum. body, 3/8 ports, setting range 50-220 bar (725-3200 psi)

TYPE: **VPR/3/ET/RL/VMP 12/MG/02.TS** CODE: 1623231103

DESCRIPTION: alum. body, 1/2 ports, setting range 50-220 bar (725-3200 psi)

TYPE: **VPR/3/ET/RL/VMP 34/MG/02.TS** CODE: 1623241102

DESCRIPTION: alum. body, 3/4 ports, setting range 50-220 bar (725-3200 psi)

#### Adjustment kit type "L" (lever)

TYPE: **VPR/3/ET/RL/VMP 38/L/02.TS** CODE: 1623221104

DESCRIPTION: alum. body, 3/8 ports, setting range 50-220 bar (725-3200 psi)

TYPE: **VPR/3/ET/RL/VMP 12/L/02.TS** CODE: 1623231100

DESCRIPTION: alum. body, 1/2 ports, setting range 50-220 bar (725-3200 psi)

TYPE: **VPR/3/ET/RL/VMP 34/L/02.TS** CODE: 1623241100

DESCRIPTION: alum. body, 3/4 ports, setting range 50-220 bar (725-3200 psi)

For other steel body configurations, SAE thread and configurations with FPM (Viton) seals, please contact our Sales Dpt.

### 1 Pressure relief valve

TYPE	CODE	DESCRIPTION
<b>VMP 02/TS.S</b>	1100000101	Direct acting cartridge, setting range 50-220 bar (725-3200 psi)

### 2 Pressure setting springs

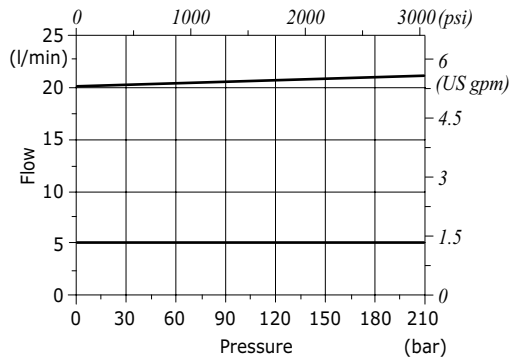
TYPE	CODE	DESCRIPTION
<b>TV</b>	3ML1081400	Setting range 5-80 bar (72.5-1150 psi)
<b>TS</b>	3ML1081401	Setting range 50-220 bar (725-3200 psi)
<b>TR</b>	3ML1081402	Setting range 180-350 bar (2600-5100 psi)

### 3 Adjustment kit

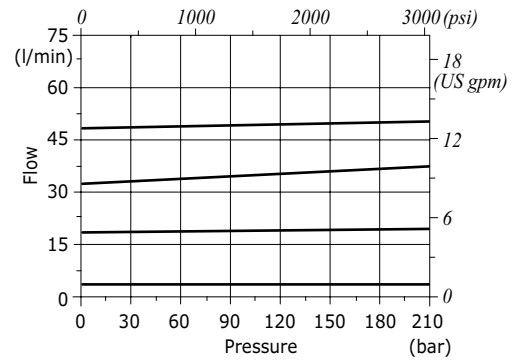
TYPE	CODE	DESCRIPTION
<b>For VPR/3/ET/RL/VMP 38 valve</b>		
<b>V.SB</b>	5KT6200200	"V" handwheel type in "SB" configuration (sensibilized adjustment)
<b>V</b>	5KT6130200	"V" handwheel type
<b>MG</b>	5KT6200202	"MG" handknob type
<b>S</b>	5KT6200211	"S" screw type
<b>For VPR/3/ET/RL/VMP 12 valve</b>		
<b>V.SB</b>	5KT6130301	"V" handwheel type in "SB" configuration (sensibilized adjustment)
<b>V</b>	5KT6130200	"V" handwheel type
<b>MG</b>	5KT6200202	"MG" handknob type
<b>S</b>	5KT6200211	"S" screw type
<b>For VPR/3/ET/RL/VMP 34</b>		
<b>V</b>	5KT6130401	"V" handwheel type
<b>MG</b>	5KT6200400	"MG" handknob type
<b>S</b>	5KT6130404	"S" screw type
<b>V.SB</b>	5KT6130402	"V" handwheel type in "SB" configuration (sensibilized adjustment)

### Rating diagrams

**VPR/3/ET/RL/VMP 38 pressure compensation diagram (E→C)**



**VPR/3/ET/RL/VMP 12 pressure compensation diagram (E→C)**



**VPR/3/ET/RL/VMP 34 pressure compensation diagram (E→C)**

