



## Type VPR/3/ET/RL flow control pressure compensated valves

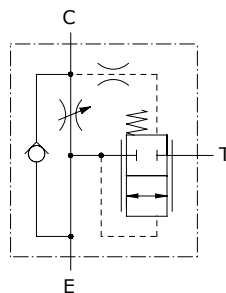
- 3 ways
- With reverse free - flow check

Technical specifications and diagrams are measured with mineral oil of 46 cSt viscosity at 40°C (104°F) temperature.

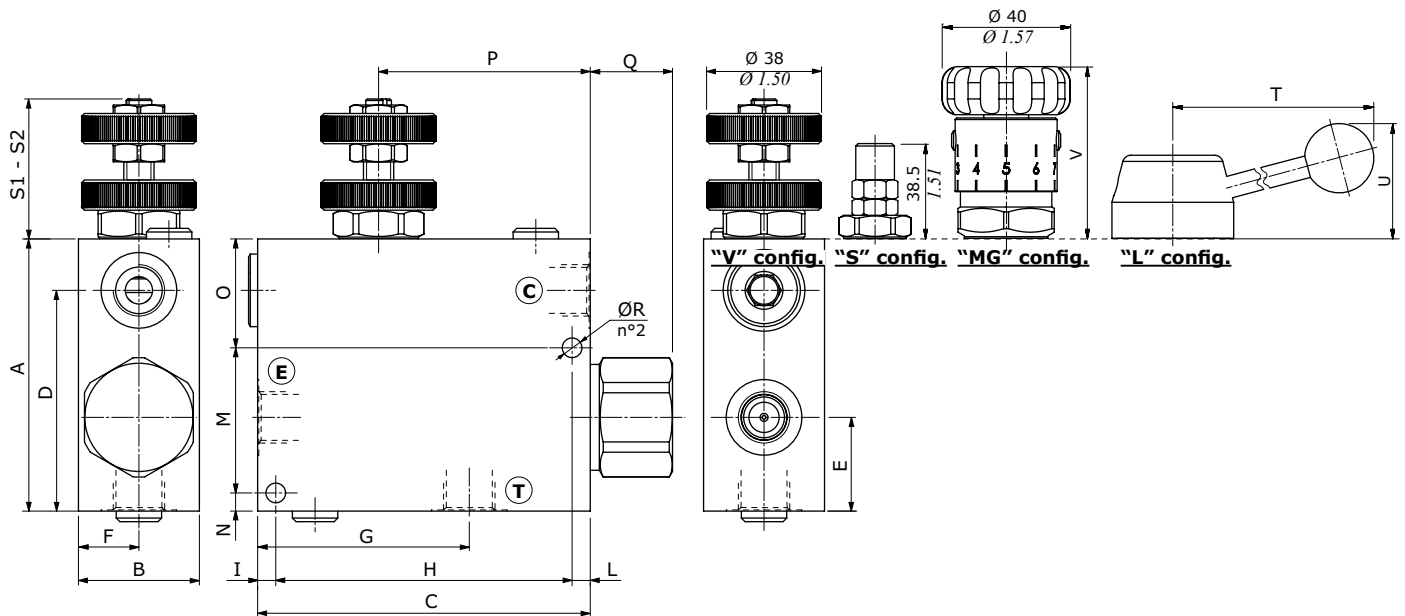
		VPR/3/ET/RL 38	VPR/3/ET/RL 12	VPR/3/ET/RL 34
Max. inlet flow	Line E	50 l/min (13.2 US gpm)	90 l/min (23.8 US gpm)	150 l/min (39.6 US gpm)
Max. regulated flow	Line C	30 l/min (7.9 US gpm)	50 l/min (13.2 US gpm)	90 l/min (23.8 US gpm)
Max. regulated flow "SB"		15 l/min (4.0 US gpm)	25 l/min (6.6 US gpm)	45 l/min (11.9 US gpm)
Max. pressure		Aluminium body = 210 bar (3050 psi) Steel body = 350 bar (5100 psi)		
Fluid		mineral based oil		
Viscosity		from 10 to 200 cSt		
Max. level of contamination		18/16/13 ISO4406		
Fluid temperature		with NBR seals from -20°C (-4°F) to 80°C (176°F)		
Environmental temperature for working conditions		from -40°C (-40°F) to 100°C (212°F)		
Weight	aluminium	1.30 kg (2.86 lb)	1.25 kg (2.75 lb)	2.75 kg (6.06 lb)
	steel	2.86 kg (6.3 lb)	2.72 kg (6 lb)	5.95 kg (13,12 lb)

NOTE - For different conditions, please contact Walvoil Sales Dpt.

\*"SB" execution (sensibilized adjustment)



### Dimensions



Valve type	(E)	(T)	(C)
VPR/3/ET/RL 38	G3/8	G3/8	G3/8
VPR/3/ET/RL 12	G1/2	G1/2	G1/2
VPR/3/ET/RL 34	G3/4	G3/4	G3/4

Dimensions are in mm-in

Valve type	A	B	C	D	E	F	G	H	I - L	M	N	O	P
VPR/3/ET/RL 38	90-3.54	40-1.57	110-0.43	17-0.24	31-1.22	20-0.78	70-2.75	98-3.86	6-0.236	48-1.89	6-0.236	36-0.24	70-2.75
VPR/3/ET/RL 12	90-3.54	40-1.57	110-0.43	17-0.24	31-1.22	20-0.78	70-2.75	98-3.86	6-0.236	48-1.89	6-0.236	36-0.24	70-2.75
VPR/3/ET/RL 34	120-4.72	50-1.97	138-5.43	25-0.98	35-1.38	25-0.98	94-3.7	122-4.80	8-0.315	55.5-2.18	8-0.315	56.5-0.24	81.5-3.21

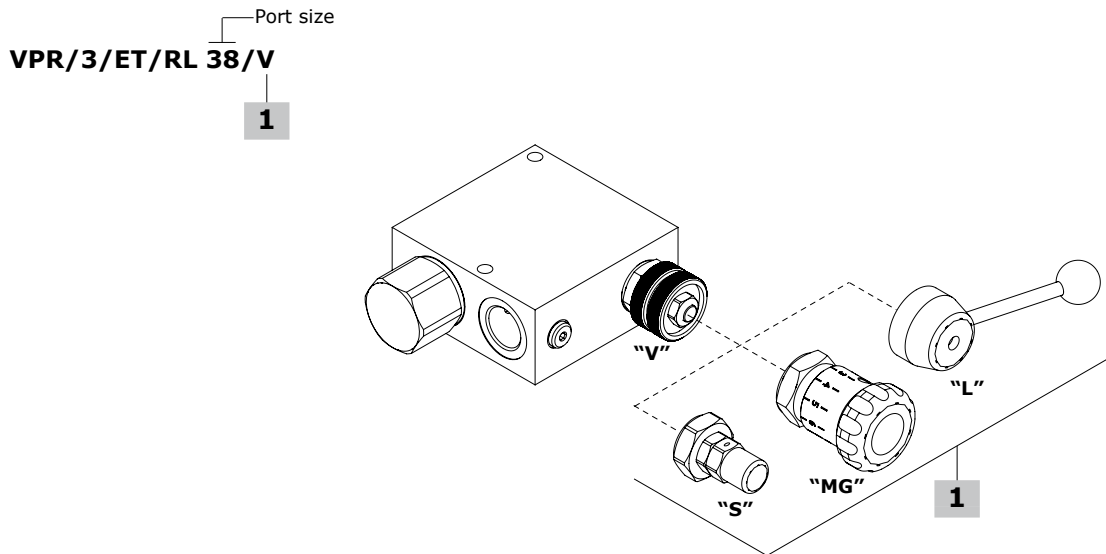
Valve type	Q	ØR	S1	S2*	T	U	V
VPR/3/ET/RL 38	27.2-1.07	6.5-0.256	46.3-1.82	52.6-2.07	101.3-3.99	47.6-1.87	53.3-2.10
VPR/3/ET/RL 12	27.2-1.07	6.5-0.256	46.3-1.82	53.1-2.09	101.3-3.99	47.6-1.87	53.3-2.10
VPR/3/ET/RL 34	34.5-1.36	8.5-0.335	41.5-1.73	50.5-1.99	103.6-4.08	50.1-1.97	56.5-2.22

## Flow control valves

Flow control pressure compensated valves

# VPR/3/ET/RL

### Ordering codes and description composition



#### VPR/3/ET/RL complete valves

TYPE	CODE	DESCRIPTION
<b>Adjustment kit type "V" (handwheel)</b>		
VPR/3/ET/RL 38/V	1621021100	Aluminium body, 3/8 ports
VPR/3/ET/RL 12/V	1621031100	Aluminium body, 1/2 ports
VPR/3/ET/RL 34/V	1621041100	Aluminium body, 3/4 ports
VPR/3/ET/RL 38/V/ac	1621022100	Steel body, 3/8 ports
VPR/3/ET/RL 12/V/ac	1621032101	Steel bod , 1/2 ports
VPR/3/ET/RL 34/V/ac	1621042100	Steel body, 3/4 ports
<b>Adjustment kit type "MG" (handknob)</b>		
VPR/3/ET/RL 38/MG	1621021101	Aluminium body, 3/8 ports
VPR/3/ET/RL 12/MG	1621031101	Aluminium body, 1/2 ports
VPR/3/ET/RL 34/MG	1621041101	Aluminium body, 3/4 ports
<b>Adjustment kit type "L" (lever)</b>		
VPR/3/ET/RL 38/L	1621021102	Aluminium body, 3/8 ports
VPR/3/ET/RL 12/L	1621031102	Aluminium body, 1/2 ports
VPR/3/ET/RL 34/L	1621041102	Aluminium body, 3/4 ports

For other steel body configurations, SAE thread and configurations with FPM (Viton) seals, please contact our Sales Dpt.

#### 1 Adjustment kit

TYPE	CODE	DESCRIPTION
<b>For VPR/3/ET 38 valve</b>		
V.SB	5KT6200200	"V" handwheel type in "SB" configuration (sensibilized adjustment)
V	5KT6130200	"V" handwheel type
MG	5KT6200202	"MG" handknob type
S	5KT6200211	"S" screw type
<b>For VPR/3/ET 12 valve</b>		
V.SB	5KT6130301	"V" handwheel type in "SB" configuration (sensibilized adjustment)
V	5KT6130200	"V" handwheel type
MG	5KT6200202	"MG" handknob type
S	5KT6200211	"S" screw type
<b>For VPR/3/ET 34 valve</b>		
V	5KT6130401	"V" handwheel type
MG	5KT6200400	"MG" handknob type
S	5KT6130404	"S" screw type
V.SB	5KT6130402	"V" handwheel type in "SB" configuration (sensibilized adjustment)

### Rating diagrams

