



Type VPR/3/ET/VMP flow control pressure compensated valves

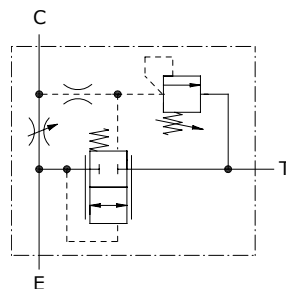
- 3 ways
- With pressure relief valve

Technical specifications and diagrams are measured with mineral oil of 46 cSt viscosity at 40°C (104°F) temperature.

		VPR/3/ET/ VMP 38	VPR/3/ET/ VMP 12	VPR/3/ET/ VMP 34	VPR/3/ET/ VMP 100	VPR/3/ET/ VMP 114
Max. inlet flow	Line E	50 l/min (13.2 US gpm)	90 l/min (23.8 US gpm)	150 l/min (39.6 US gpm)	240 l/min (63.4 US gpm)	350 l/min (92.5 US gpm)
Max. regulated flow	Line C	30 l/min (7.9 US gpm)	50 l/min (13.2 US gpm)	90 l/min (23.8 US gpm)	150 l/min (40 US gpm)	250 l/min (66 US gpm)
Max. regulated flow "SB" *		15 l/min (4.0 US gpm)	25 l/min (6.6 US gpm)	45 l/min (11.9 US gpm)	75 l/min (19.8 US gpm)	125 l/min (33 US gpm)
Max. pressure		Aluminium body = 210 bar (3050 psi) Steel body = 350 bar (5100 psi)				
Fluid		mineral based oil				
Viscosity		from 10 to 200 cSt				
Max. level of contamination		18/16/13 ISO4406				
Fluid temperature		with NBR seals from -20°C (-4°F) to 80°C (176°F)				
Environmental temperature for working conditions		from -40°C (-40°F) to 100°C (212°F)				
Weight	aluminium	1.10 kg (2.42 lb)	1.20 kg (2.64 lb)	2.10 kg (4.62 lb)	4.10 kg (9.04 lb)	4.66 kg (10.27 lb)
	steel	2.31 kg (5.09 lb)	2.42 kg (5.33 lb)	4.37 kg (9.63 lb)	8.27 kg (18.23 lb)	9.43 kg (20.79 lb)

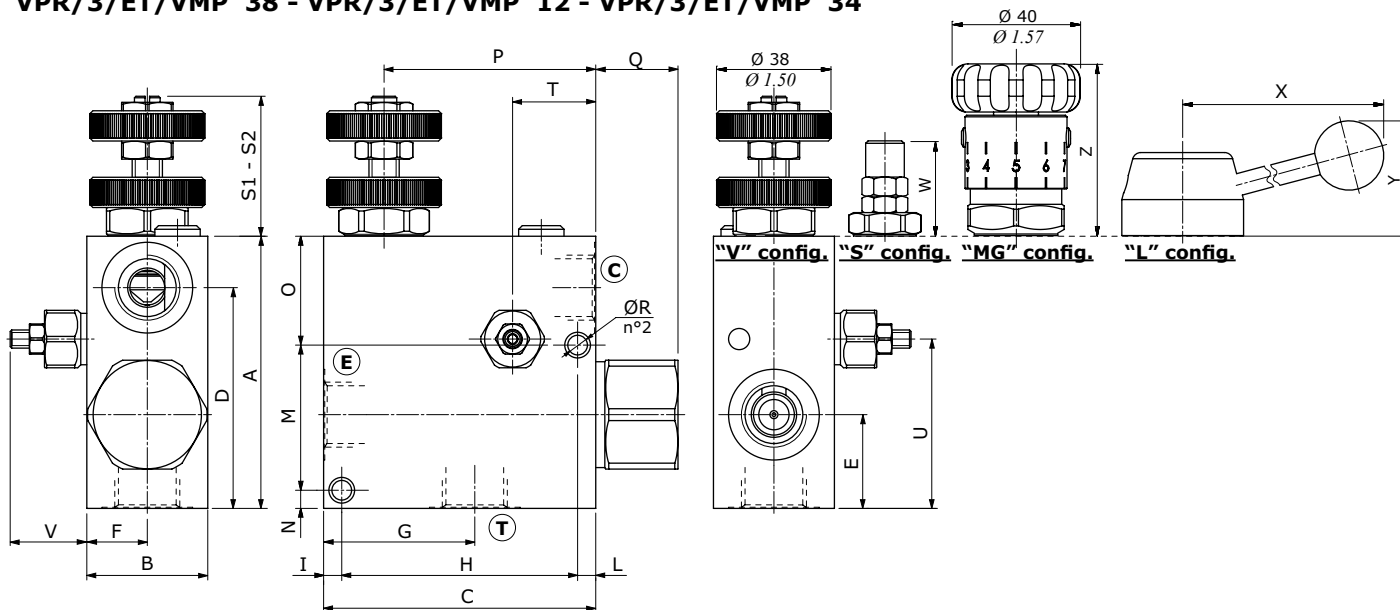
NOTE - For different conditions, please contact Walvoil Sales Dpt.

***"SB"** execution (sensibilized adjustment)



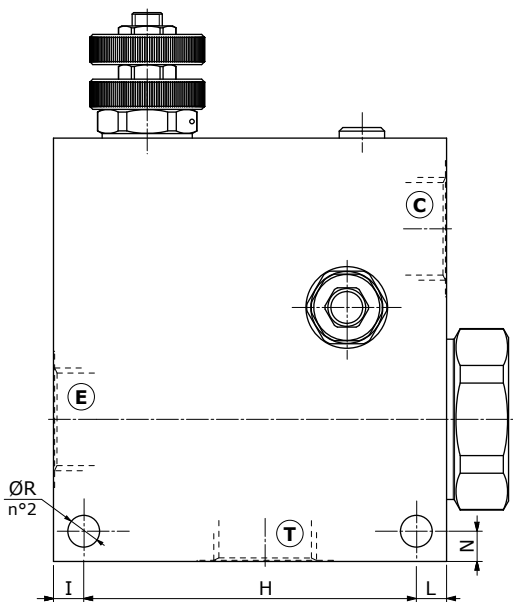
Dimensions

VPR/3/ET/VMP 38 - VPR/3/ET/VMP 12 - VPR/3/ET/VMP 34



Dimensions are in mm-in

VPR/3/ET/VMP 100 VPR/3/ET/VMP 114



Valve type	A	B	C	D	E	G
VPR/3/ET/VMP 38 VPR/3/ET/VMP 38/SAE	90-3.54	40-1.57	90-3.54	73-2.87	31-1.22	50-1.97
VPR/3/ET/VMP 12 VPR/3/ET/VMP 12/SAE	90-3.54	40-1.57	90-3.54	73-2.87	31-1.22	50-1.97
VPR/3/ET/VMP 34 VPR/3/ET/VMP 34/SAE	110-0.31	50-1.97	110-4.33	85-3.35	35-1.38	66-2.60
VPR/3/ET/VMP 100	140-5.51	65-2.56	130-5.11	110-4.33	47-1.85	70-2.75
VPR/3/ET/VMP 114	165-6.5	Alum:70-2.75 Steel:65-2.56	130-5.11	135-5.31	65-2.56	70-2.75

Valve type	F	H	I-L	M	N	O
VPR/3/ET/VMP 38 VPR/3/ET/VMP 38/SAE	20-0.78	78-3.07	6-0.236	48-1.89	6-0.236	36-1.42
VPR/3/ET/VMP 12 VPR/3/ET/VMP 12/SAE	20-0.78	78-3.07	6-0.236	48-1.89	6-0.236	36-1.42
VPR/3/ET/VMP 34 VPR/3/ET/VMP 34/SAE	25-0.98	94-3.70	8-0.31	55.5-2.18	8-0.31	46.5-1.83
VPR/3/ET/VMP 100	32.5-1.28	110-4.33	10-0.394	-	10-0.394	-
VPR/3/ET/VMP 114	Alum:35-1.38 Steel:32.5-1.28	110-4.33	10-0.394	-	10-0.394	-

Valve type	P	Q	ØR	S1	S2	T
VPR/3/ET/VMP 38 VPR/3/ET/VMP 38/SAE	70-2.75	27.2-1.07	6.5-0.256	46.3-1.82	52.6-2.07	27.5-1.08
VPR/3/ET/VMP 12 VPR/3/ET/VMP 12/SAE	70-2.75	27.2-1.07	6.5-0.256	46.3-1.82	53.1-2.09	27.5-1.08
VPR/3/ET/VMP 34 VPR/3/ET/VMP 34/SAE	82-3.23	34.5-1.36	8.5-0.335	41.5-1.73	50.5-1.99	44-1.73
VPR/3/ET/VMP 100	99-3.90	20.5-0.81	10.5-0.413	41.5-1.73	50.5-1.99	33-0.12
VPR/3/ET/VMP 114	99-3.90	20.5-0.81	10.5-0.413	52-2.05	-	33-0.12

Valve type	E	T	C
VPR/3/ET/VMP 38	G3/8	G3/8	G3/8
VPR/3/ET/VMP 12	G1/2	G1/2	G1/2
VPR/3/ET/VMP 34	G3/4	G3/4	G3/4
VPR/3/ET/VMP 100	G1"	G1"	G1"
VPR/3/ET/VMP 114	G1"1/4	G1"1/4	G1"1/4

Valve type	E	T	C
VPR/3/ET/VMP 38/SAE	SAE8	SAE8	SAE8
VPR/3/ET/VMP 12/SAE	SAE10	SAE10	SAE10
VPR/3/ET/VMP 34/SAE	SAE12	SAE12	SAE12

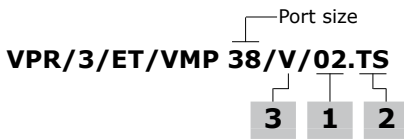
Valve type	U	V	W	X	Y	Z
VPR/3/ET/VMP 38 VPR/3/ET/VMP 38/SAE	56-2.20	27.2-1.07	38.5-1.51	101.3-3.99	47.6-1.87	53.3-2.10
VPR/3/ET/VMP 12 VPR/3/ET/VMP 12/SAE	56-2.20	27.2-1.07	38.5-1.51	101.3-3.99	47.6-1.87	53.3-2.10
VPR/3/ET/VMP 34 VPR/3/ET/VMP 34/SAE	63.5-2.50	27.2-1.07	38.5-1.51	103.6-4.08	50.1-1.97	56.5-2.22
VPR/3/ET/VMP 100	84-3.31	53-2.09	38.5-1.51	103.6-4.08	50.1-1.97	56.5-2.22
VPR/3/ET/VMP 114	98-3.86	43-1.69	41.5-1.73	107.3-4.22	50.5-1.99	56.5-2.22

Flow control valves

Flow control pressure compensated valves

VPR/3/ET/VMP

Ordering codes and description composition



VPR/3/ET/VMP complete valves

Adjustment kit type "V" (handwheel)

TYPE: VPR/3/ET/VMP 38/V/02.TS	CODE: 1623021100
DESCRIPTION: alum. body, 3/8 ports, setting range 50-220 bar (725-3200 psi)	
TYPE: VPR/3/ET/VMP 12/V/02.TS	CODE: 1623031100
DESCRIPTION: alum. body, 1/2 ports, setting range 50-220 bar (725-3200 psi)	
TYPE: VPR/3/ET/VMP 34/V/02.TS	CODE: 1623041100
DESCRIPTION: alum. body, 3/4 ports, setting range 50-220 bar (725-3200 psi)	
TYPE: VPR/3/ET/VMP 100/V/02.TS	CODE: 1623051103
DESCRIPTION: alum. body, 1" ports, setting range 50-200 bar (725-2900 psi)	
TYPE: VPR/3/ET/VMP 114/V/02.TS	CODE: 1623061100
DESCRIPTION: alum. body, 1 1/4 ports, setting range 50-200 bar (725-2900 psi)	
TYPE: VPR/3/ET/VMP 38/V/02.TS/ac	CODE: 1623022100
DESCRIPTION: steel body, 3/8 ports, setting range 50-220 bar (725-3200 psi)	
TYPE: VPR/3/ET/VMP 12/V/02.TS/ac	CODE: 1623032100
DESCRIPTION: steel body, 1/2 ports, setting range 50-200 bar (725-2900 psi)	
TYPE: VPR/3/ET/VMP 34/V/03.TS/ac	CODE: 1623042102
DESCRIPTION: steel body, 3/4 ports, setting range 50-200 bar (725-2900 psi)	
TYPE: VPR/3/ET/VMP 100/V/03.TS/ac	CODE: 1623052104
DESCRIPTION: steel body, 1" ports, setting range 50-200 bar (725-2900 psi)	
TYPE: VPR/3/ET/VMP 114/V/03.TS/ac	CODE: 1623062100
DESCRIPTION: steel body, 1 1/4 ports, setting range 50-200 bar (725-2900 psi)	
TYPE: VPR/3/ET/VMP 38/V/02.TS/SAE	CODE: 1623021200
DESCRIPTION: alum. body, SAE8 ports, setting range 50-220 bar (725-3200 psi)	
TYPE: VPR/3/ET/VMP 12/V/02.TS/SAE	CODE: 1623031200
DESCRIPTION: alum. body, SAE10 ports, setting range 50-220 bar (725-3200 psi)	
TYPE: VPR/3/ET/VMP 34/V/02.TS/SAE	CODE: 1623041200
DESCRIPTION: alum. body, SAE12 ports, setting range 50-220 bar (725-3200 psi)	

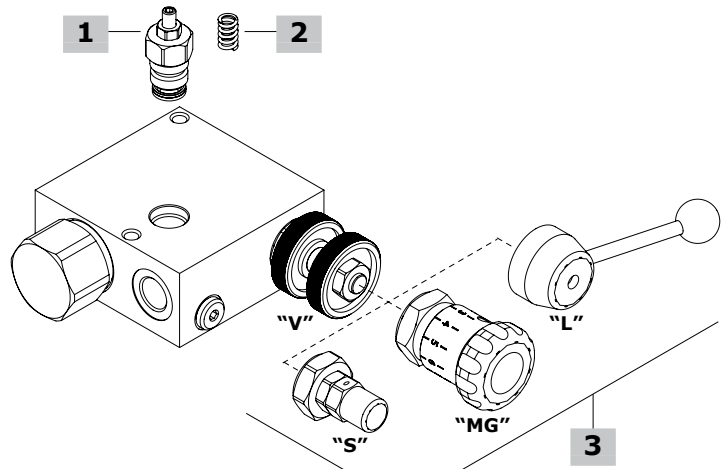
Adjustment kit type "MG" (handknob)

TYPE: VPR/3/ET/VMP 38/MG/02.TS	CODE: 16230211001
DESCRIPTION: alum. body, 3/8 ports, setting range 50-220 bar (725-3200 psi)	
TYPE: VPR/3/ET/VMP 12/MG/02.TS	CODE: 1623031101
DESCRIPTION: alum. body, 1/2 ports, setting range 50-220 bar (725-3200 psi)	
TYPE: VPR/3/ET/VMP 34/MG/02.TS	CODE: 1623041101
DESCRIPTION: alum. body, 3/4 ports, setting range 50-220 bar (725-3200 psi)	
TYPE: VPR/3/ET/VMP 100/MG/02.TS	CODE: 1623051101
DESCRIPTION: alum. body, 1" ports, setting range 50-200 bar (725-2900 psi)	
TYPE: VPR/3/ET/VMP 114/MG/02.TS	CODE: 1623061101
DESCRIPTION: alum. body, 1 1/4 ports, setting range 50-200 bar (725-2900 psi)	
TYPE: VPR/3/ET/VMP 12/MG/02.TS/SAE	CODE: 1623031201
DESCRIPTION: alum. body, SAE10 ports, setting range 50-220 bar (725-3200 psi)	

Adjustment kit type "L" (lever)

TYPE: VPR/3/ET/VMP 38/L/02.TS	CODE: 1623021102
DESCRIPTION: alum. body, 3/8 ports, setting range 50-220 bar (725-3200 psi)	
TYPE: VPR/3/ET/VMP 12/L/02.TS	CODE: 1623031102
DESCRIPTION: alum. body, 1/2 ports, setting range 50-220 bar (725-3200 psi)	
TYPE: VPR/3/ET/VMP 34/L/02.TS	CODE: 1623041102
DESCRIPTION: alum. body, 3/4 ports, setting range 50-220 bar (725-3200 psi)	
TYPE: VPR/3/ET/VMP 100/L/02.TS	CODE: 1623051102
DESCRIPTION: alum. body, 1" ports, setting range 50-200 bar (725-2900 psi)	
TYPE: VPR/3/ET/VMP 114/L/02.TS	CODE: 1623061102
DESCRIPTION: alum. body, 1 1/4 ports, setting range 50-200 bar (725-2900 psi)	
TYPE: VPR/3/ET/VMP 38/L/02.TS/SAE	CODE: 1623021202
DESCRIPTION: alum. body, SAE8 ports, setting range 50-220 bar (725-3200 psi)	

For other steel body configurations, SAE thread and configurations with FPM (Viton) seals, please contact our Sales Dpt.



1 Pressure relief valve

TYPE	CODE	DESCRIPTION
For VPR/3/ET/VMP 38 and 12 + VPR/3/ET/VMP 34 aluminium body VMP 02/TS.S		
1100000101		Direct acting cartridge, setting range 50-220 bar (725-3200 psi)
For VPR/3/ET/VMP 34 steel body + VPR/3/ET/VMP 100 and 114 MC08A/0S2B		
0MC08002000		Direct acting cartridge, setting range 50-200 bar (725-2900 psi)

2 Pressure setting springs

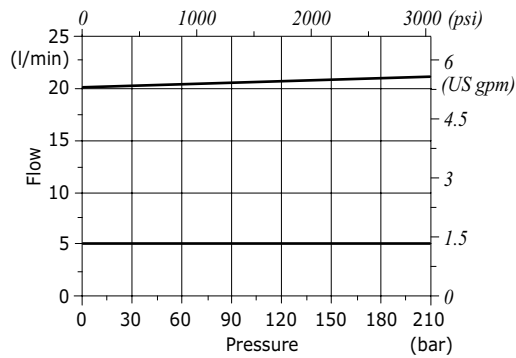
TYPE	CODE	DESCRIPTION
For VPR/3/ET/VMP 38 and 12 + VPR/3/ET/VMP 34 aluminium body		
TV	3ML1081400	Setting range 5-80 bar (72.5-1150 psi)
TS	3ML1081401	Setting range 50-220 bar (725-3200 psi)
TR	3ML1081402	Setting range 180-350 bar (2600-5100 psi)
For VPR/3/ET/VMP 34 steel body + VPR/3/ET/VMP 100 and 114		
TV	3ML1092500	Setting range 5-50 bar (72.5-725 psi)
TS	3ML1092501	Setting range 50-200 bar (725-2900 psi)
TR	3ML1092502	Setting range 150-350 bar (2600-5100 psi)

3 Adjustment kit

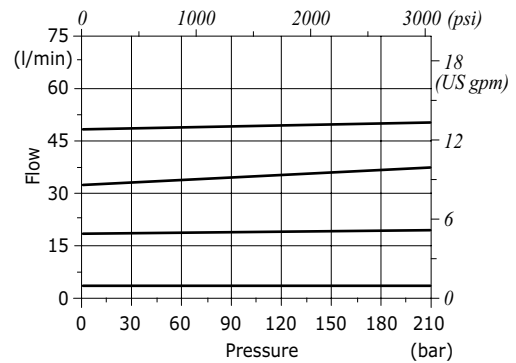
TYPE	CODE	DESCRIPTION
For VPR/3/ET/VMP 38 valve		
V.SB	5KT6200200	"V" handwheel type in "SB" configuration (sensitized adjustment)
V	5KT6130200	"V" handwheel type
MG	5KT6200202	"MG" handknob type
S	5KT6200211	"S" screw type
For VPR/3/ET/VMP 12 valve		
V.SB	5KT6130301	"V" handwheel type in "SB" configuration (sensitized adjustment)
V	5KT6130200	"V" handwheel type
MG	5KT6200202	"MG" handknob type
S	5KT6200211	"S" screw type
For VPR/3/ET/VMP 34 and VPR/2/ET/VMP 100 valves		
V	5KT6130401	"V" handwheel type
MG	5KT6200400	"MG" handknob type
S	5KT6130404	"S" screw type
V.SB	5KT6130402	"V" handwheel type in "SB" configuration (sensitized adjustment)
For VPR/3/ET/VMP 114 valve		
V	5KT6340603	"V" handwheel type
MG	5KT6200605	"MG" handknob type
S	5KT6200604	"S" screw type

Rating diagrams

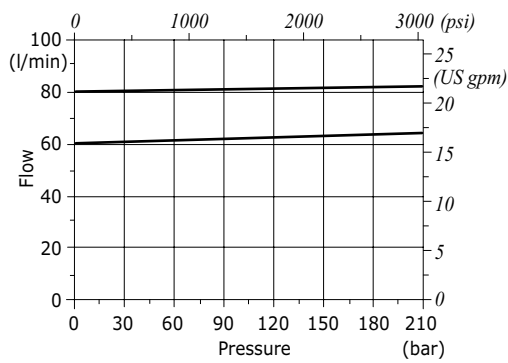
VPR/3/ET/VMP 38 pressure compensation diagram (E→C)



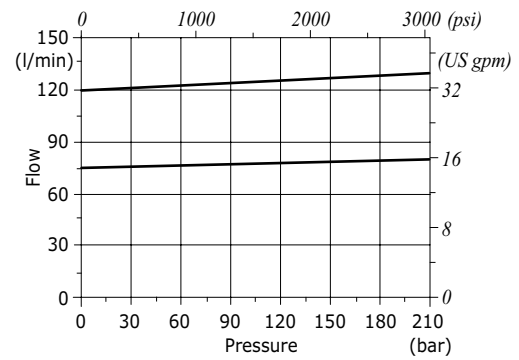
VPR/3/ET/VMP 12 pressure compensation diagram (E→C)



VPR/3/ET/VMP 34 pressure compensation diagram (E→C)



VPR/3/ET/VMP 100 pressure compensation diagram (E→C)



VPR/3/ET/VMP 114 pressure compensation diagram (E→C)

