



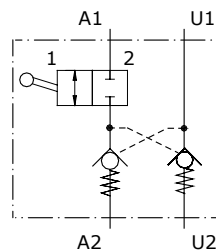
## Type VRPDE..A pilot operated check valves

- Double acting
- Check valve DIN 2353 by pass type
- Shut-off

Technical specifications and diagrams are measured with mineral oil of 46 cSt viscosity at 40°C (104°F) temperature.

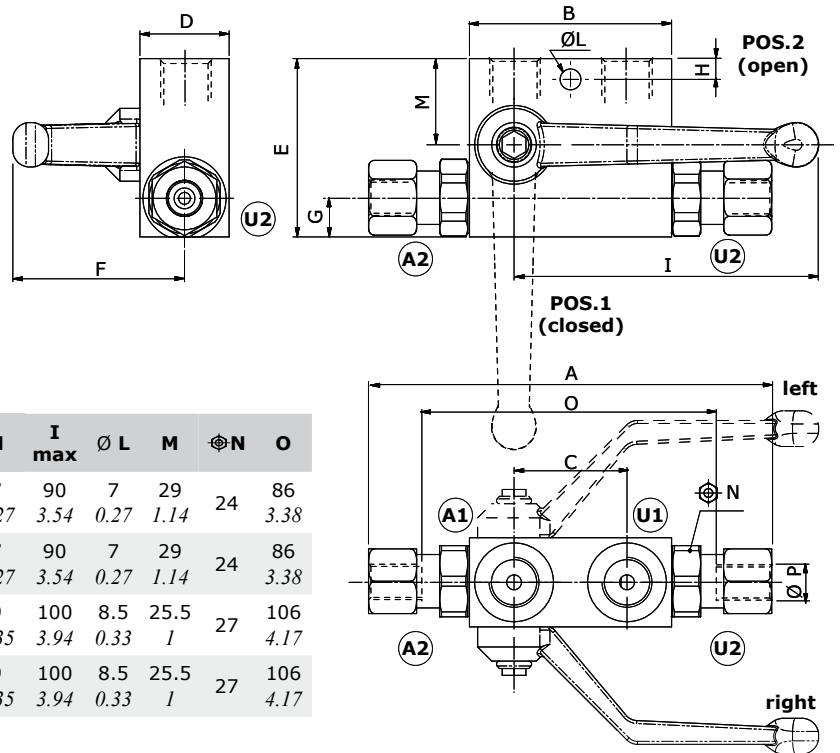
	<b>VRPDE01A</b>	<b>VRPDE015A</b>	<b>VRPDE02A</b>	<b>VRPDE025A</b>
Nominal flow	25 l/min (6.6 US gpm)	25 l/min (6.6 US gpm)	50 l/min (13.2 US gpm)	50 l/min (13.2 US gpm)
Max. pressure	350 bar (5100 psi)	350 bar (5100 psi)	300 bar (4350 psi)	300 bar (4350 psi)
Oil leakage	0.25 cm <sup>3</sup> /min (0.015 in <sup>3</sup> /min) at 210 bar (3050 psi)			
Fluid	mineral based oil			
Viscosity	from 10 to 200 cSt			
Max. level of contamination	18/16/13 ISO4406			
Fluid temperature	with NBR seals from -20°C (-4°F) to 80°C (176°F)			
Environmental temp. for working conditions	from -40°C (-40°F) to 100°C (212°F)			
Weight	steel 0.95 kg (2.09 lb)	0.95 kg (2.09 lb)	1.12 kg (2.47 lb)	1.12 kg (2.47 lb)

NOTE - For different conditions, please contact Walvoil Sales Dpt.



### Dimension

Valve type	A1-U1	A2-U2 (Ø P)
VRPDE01A	G1/4	12 0.27
VRPDE015A	G3/8	12 0.27
VRPDE02A	G3/8	15 0.59
VRPDE025A	G1/2	15 0.59

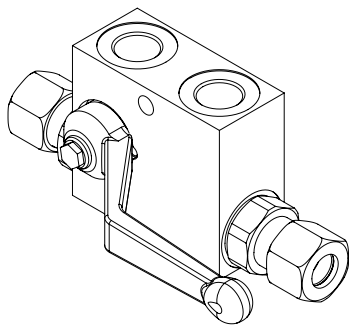


Dimensions are in mm-in

Valve type	A	B	C	D	E	F max	G max	H	I max	Ø L	M	Ø N	O
VRPDE01A	138 5.43	68 2.68	38 1.50	30 1.18	60 2.36	65 2.56	13 0.51	7 0.27	90 3.54	7 0.27	29 1.14	24	86 3.38
VRPDE015A	138 5.43	68 2.68	38 1.50	30 1.18	60 2.36	65 2.56	13 0.51	7 0.27	90 3.54	7 0.27	29 1.14	24	86 3.38
VRPDE02A	140 5.51	80 3.15	40 1.57	30 1.18	60 2.36	60 2.36	16 0.63	9 0.35	100 3.94	8.5 0.33	25.5 1	27	106 4.17
VRPDE025A	140 5.51	80 3.15	40 1.57	30 1.18	60 2.36	60 2.36	16 0.63	9 0.35	100 3.94	8.5 0.33	25.5 1	27	106 4.17

### Ordering codes and description composition

Port size  
R - right  
L - left  
**VRPDE 01 A R**



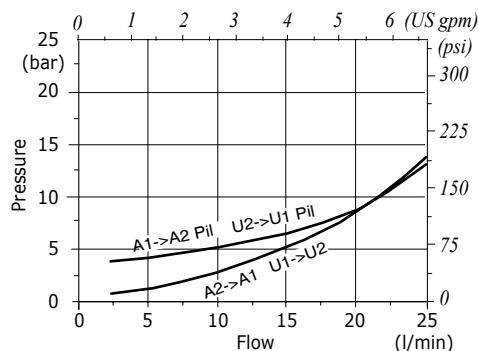
### VRPDE complete valves

TYPE	CODE	DESCRIPTION
VRPDE01AR	1425412100	Steel body, opening press. 4 bar (58 psi), pilot ratio 1:4.5, G1/4 ports, right lever
VRPDE015AL	1425422102	Steel body, opening press. 4 bar (58 psi), pilot ratio 1:4.5, G3/8 ports, left lever
VRPDE015AR	1425422103	Steel body, opening press. 4 bar (58 psi), pilot ratio 1:4.5, G3/8 ports, right lever
VRPDE02AL	1425422100	Steel body, opening press. 4 bar (58 psi), pilot ratio 1:4, G3/8 ports, left lever
VRPDE02AR	1425422101	Steel body, opening press. 4 bar (58 psi), pilot ratio 1:4, G3/8 ports, right lever
VRPDE025AL	1425432100	Steel body, opening press. 4 bar (58 psi), pilot ratio 1:4, G1/2 ports, left lever
VRPDE025AR	1425432101	Steel body, opening press. 4 bar (58 psi), pilot ratio 1:4, G1/2 ports, right lever

For different configurations or SAE thread please contact our Sales Dpt.

### Rating diagram

VRPDE 01 A pressure drop vs. flow



VRPDE 02 A pressure drop vs. flow

