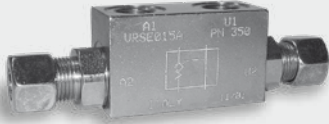




## Type VRSE..A pilot operated check valves

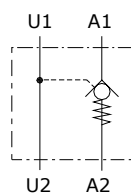


- Single acting
- DIN 2353

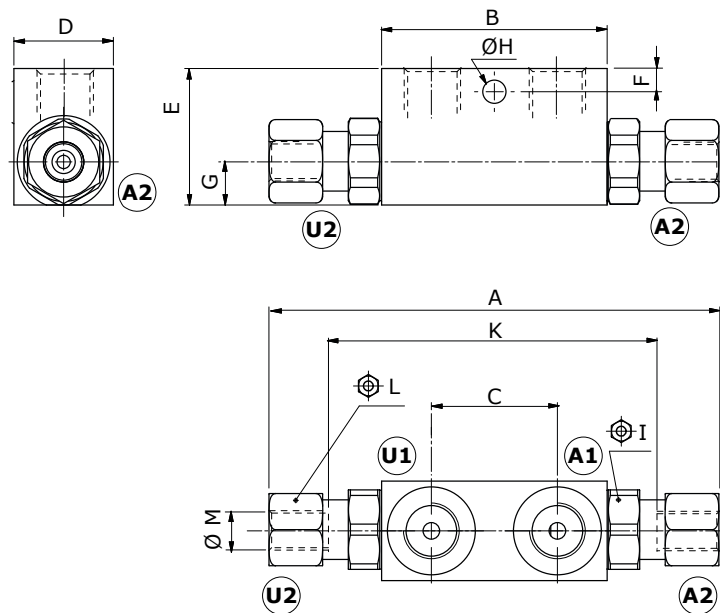
Technical specifications and diagrams are measured with mineral oil of 46 cSt viscosity at 40°C (104°F) temperature.

	<b>VRSE01A</b>	<b>VRSE015A</b>	<b>VRSE02A</b>	<b>VRSE025A</b>	<b>VRSE03A</b>	
Nominal flow	30 l/min (7.9 US gpm)	30 l/min (7.9 US gpm)	50 l/min (13.2 US gpm)	50 l/min (13.2 US gpm)	80 l/min (21.1 US gpm)	
Max. pressure	350 bar (5100 psi)	350 bar (5100 psi)	300 bar (4350 psi)	300 bar (4350 psi)	300 bar (4350 psi)	
Oil leakage	0.25 cm <sup>3</sup> /min (0.015 in <sup>3</sup> /min) at 210 bar (3050 psi)					
Fluid	mineral based oil					
Viscosity	from 10 to 200 cSt					
Max. level of contamination	18/16/13 ISO4406					
Fluid temperature	with NBR seals: from -20°C (-4°F) to 80°C (176°F)					
Environmental temp. for working conditions	from -40°C (-40°F) to 100°C (212°F)					
Weight	steel	0.67 kg (1.48 lb)	0.66 kg (1.45 lb)	0.97 kg (2.14 lb)	0.91 kg (2.01 lb)	1.67 kg (3.68 lb)

NOTE - For different conditions, please contact Walvoil Sales Dpt.



### Dimensions



Valve type	A1-U1	A2-U2 (Ø M)
VRSE01A	G1/4	12-0.47
VRSE015A	G3/8	12-0.47
VRSE02A	G3/8	15-0.59
VRSE025A	G1/2	15-0.59
VRSE03A	G1/2	18-0.71

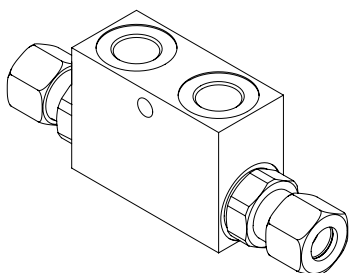
Dimensions are in mm-in

Valve type	A	B max.	C	D	E	F	G	ØH	⊕I	⊕L	K
VRSE01A	138-5.43	68-2.68	38-1.50	30-1.18	40-1.57	7-0.27	13-0.51	8-0.31	24	22	86-3.38
VRSE015A	138-5.43	68-2.68	38-1.50	30-1.18	40-1.57	7-0.27	13-0.51	8-0.31	24	22	86-3.38
VRSE02A	166-6.53	80-3.15	40-1.57	30-1.18	50-1.97	15-0.59	16-0.63	8.5-0.33	27	27	108-4.25
VRSE025A	166-6.53	80-3.15	40-1.57	30-1.18	50-1.97	15-0.59	16-0.63	8.5-0.33	27	27	108-4.25
VRSE03A	180-7.09	90-3.54	40-1.57	40-1.57	60-2.36	15-0.59	20-0.79	8.5-0.33	30	32	133-5.24

### Ordering codes and description composition

VRSE 02 A

└─ Port size



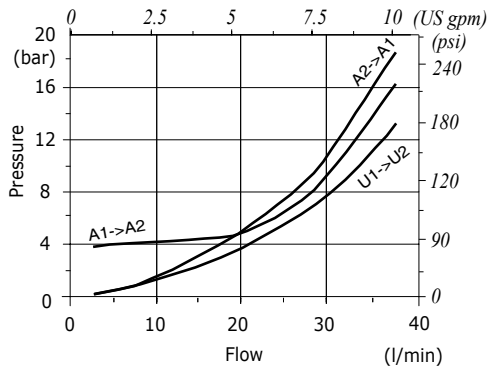
#### VRSE complete valves

TYPE	CODE	DESCRIPTION
VRSE01A	1410212100	Steel body, G1/4 port, pilot ratio 1:4.5, opening pressure 4 bar (58 psi)
VRSE015A	1410222100	Steel body, G3/8 port, pilot ratio 1:4.5, opening pressure 4 bar (58 psi)
VRSE02A	1410222101	Steel body, G3/8 port, pilot ratio 1:4, opening pressure 4 bar (58 psi)
VRSE025A	1410232100	Steel body, G1/2 port, pilot ratio 1:4, opening pressure 4 bar (58 psi)
VRSE03A	1410232101	Steel body, G1/2 port, pilot ratio 1:4, opening pressure 4 bar (58 psi)

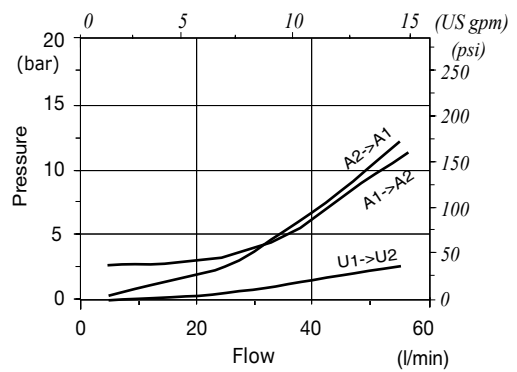
For different configurations or SAE thread please contact our Sales Dpt.

**Rating diagrams**

**VRSE01A pressure drop vs. flow**



**VRSE02A pressure drop vs. flow**



**VRSE03A pressure drop vs. flow**

